

CRIME / INCIDENT REPORT

VENTURA COUNTY SHERIFF'S DEPARTMENT  
AGENCY IDENTIFIER CA0560000

1 CONNECTING REPORT NUMBERS		2 R.D. 8050	3 BEAT 8A01	4 RB NUMBER 98-10973											
5 <input type="checkbox"/> CRIME <input type="checkbox"/> INCIDENT <input checked="" type="checkbox"/> SUPPLEMENTAL		6 <input type="checkbox"/> DOMESTIC <input type="checkbox"/> CHILD ABUSE <input type="checkbox"/> HATE <input type="checkbox"/> GANG <input type="checkbox"/> ELDERLY ABUSE													
7 CODE SECTION / DESCRIPTION (INCIDENT) 245 PC / 10851 VC		8 CLASS. <input type="checkbox"/> Misd. <input type="checkbox"/> Fel.	9 CODE SECTION / DESCRIPTION ( <input type="checkbox"/> Reclassify To)												
11 CODE SECTION / DESCRIPTION (INCIDENT)		12 CLASS. <input type="checkbox"/> Misd. <input type="checkbox"/> Fel.	13 CODE SECTION / DESCRIPTION ( <input type="checkbox"/> Reclassify To)												
15 OCCURRED FROM MO. DAY YR. TIME 02 / 02 / 98 / 0430	16 DOW Mon	17 OCCURRED TO MO. DAY YR. TIME 02 / 02 / 98 / 0440	18 DOW Mon												
19 LOCATION OF OFFENSE / INCIDENT ADDRESS CITY STATE ZIP 1405 DEL NORTE RD CAMARILLO CA 93010															
20 CODE: V - VICTIM W - WITNESS R - REPORTING PARTY F - FINDER O - OWNER P - PARTY															
21 CODE	22 NAME (Last, First, Middle, Gen.) / FIRM NAME A-I REYNOLDS, JEFF	AKA / Moniker	RACE	SEX	25 HT	26 WT	27 HAIR	28 EYES	29 DOB	30 AGE					
31 RESIDENCE ADDRESS / ( <input type="checkbox"/> Same as Box # ) TRANSIENT			CITY	STATE	ZIP	32 RESIDENCE PHONE ( ) -									
33 BUSINESS / SCHOOL NAME			ADDRESS / ( <input type="checkbox"/> Same as Box # )	CITY	STATE	ZIP	34 BUSINESS PHONE ( ) -								
35 OCCUPATION ( <input type="checkbox"/> STUDENT)			36 DAYS OFF	37 WORK HRS	38 INTERPRETER	39 OPERATOR'S LIC. NO. / STATE									
40 VEH. LIC. NO. / STATE		41 VEH. COLOR / YEAR / MAKE / MODEL / BODY STYLE			42 OTHER CHARACTERISTICS / VIN NO.										
43 CODE	44 NAME (Last, First, Middle, Gen.) / FIRM NAME	AKA / Moniker	RACE	SEX	47 HT	48 WT	49 HAIR	50 EYES	51 DOB	52 AGE					
53 RESIDENCE ADDRESS / ( <input type="checkbox"/> Same as Box # )			CITY	STATE	ZIP	54 RESIDENCE PHONE ( )									
55 BUSINESS / SCHOOL NAME			ADDRESS / ( <input type="checkbox"/> Same as Box # )	CITY	STATE	ZIP	56 BUSINESS PHONE ( )								
57 OCCUPATION ( <input type="checkbox"/> STUDENT)			58 DAYS OFF	59 WORK HRS	60 INTERPRETER	61 OPERATOR'S LIC. NO. / STATE									
62 VEH. LIC. NO. / STATE		63 VEH. COLOR / YEAR / MAKE / MODEL / BODY STYLE			64 OTHER CHARACTERISTICS / VIN NO.										
65 ARSON <input type="checkbox"/> Single Fam. Resd. <input type="checkbox"/> Inhabited <input type="checkbox"/> Uninhabited <input type="checkbox"/> Storage <input type="checkbox"/> Industrial <input type="checkbox"/> Commercial <input type="checkbox"/> Other Structure <input type="checkbox"/> Public Place <input type="checkbox"/> Vehicle <input type="checkbox"/> Unlawful Fire <input type="checkbox"/> Forest <input type="checkbox"/> Injury Occurred <input type="checkbox"/> Other		66 BURGLARY <input type="checkbox"/> Residential <input type="checkbox"/> Vehicle <input type="checkbox"/> Commercial <input type="checkbox"/> Other		67 ROBBERY <input type="checkbox"/> Bank <input type="checkbox"/> Chain Store <input type="checkbox"/> Commercial <input type="checkbox"/> Gas Station <input type="checkbox"/> Highway <input type="checkbox"/> Residence <input type="checkbox"/> Other		68 THEFT <input type="checkbox"/> Auto Parts <input type="checkbox"/> Bicycle <input type="checkbox"/> From Bldg. <input type="checkbox"/> Coin Machine <input type="checkbox"/> From Person <input type="checkbox"/> From Vehicle <input type="checkbox"/> Purse Snatch <input type="checkbox"/> Shoplift <input type="checkbox"/> Other		69 VALUE / DOLLAR LOSS \$ VALUE / DAMAGE LOSS \$		70 FORCE / WEAPON <input type="checkbox"/> No Force <input type="checkbox"/> No Weapon <input type="checkbox"/> Verbal Only <input type="checkbox"/> Attempt Only <input type="checkbox"/> Great Bodily Injury <input type="checkbox"/> Firearm <input type="checkbox"/> Knife <input type="checkbox"/> Hands/Fists/Feet <input type="checkbox"/> Other		71 DOMESTIC VIOLENCE / SEX / HATE CRIMES <input type="checkbox"/> D.V. and/or S. A. Pamphlet given to: <input type="checkbox"/> Victim <input type="checkbox"/> P-1 <input type="checkbox"/> P-2 <input type="checkbox"/> Pursuant to Sec. 6254 G.C., victim of D.V., Sex or Hate Crime requests their name be withheld from the public. <input type="checkbox"/> YES <input type="checkbox"/> NO		72 SPECIAL INTEREST (Copy to Agency/Unit) <input type="checkbox"/> Domestic Violence <input type="checkbox"/> Sex Crime <input type="checkbox"/> Child Abuse <input type="checkbox"/> PSSA <input type="checkbox"/> Gang Related <input type="checkbox"/> Hate Crime <input type="checkbox"/> Agricultural <input type="checkbox"/> Probation <input type="checkbox"/> Parole <input type="checkbox"/> Other	
73 DATE AND TIME REPORTED 2-2-98 10420		74 DATE / TIME OF REPORT 2-2-98 0900		75 REPORTING OFFICER / ID NO. / DIV. / UNIT HANDY B #1360 WCP TRAFFIC			76 APPROVED BY / ID NO. / UNIT [Signature]								
77 COPIES TO <input type="checkbox"/> DET/MC <input type="checkbox"/> NARC <input type="checkbox"/> GANG/SED <input type="checkbox"/> STATS <input type="checkbox"/> PRESS <input type="checkbox"/> DOJ <input type="checkbox"/> COURT					78 OTHER										





NARRATIVE REPORT VENTURA COUNTY SHERIFF'S DEPARTMENT

Page 3 of 6

Continuation

AGENCY IDENTIFIER CA0560000

1 R.D.	2 BEAT	3 RB NUMBER
8050	8A01	98-010973

4 CODE	5 ITEM	6 QTY.	7 ITEM NAME	8 BRAND / MAKE MANUFACTURER	9 MODEL NAME OR NUMBER	10 MISC. DESCRIPTION	11 IDENTIFICATION / SERIAL NUMBER	12 VALUE
--------	--------	--------	-------------	-----------------------------	------------------------	----------------------	-----------------------------------	----------

SOURCE

DEP. KENNEMAN AND I WERE WORKING PATROL IN THE UNINCORPORATED AREA OF CAMARILLO SHIFT ONE, 02-02-98 AS 3C11. AT APPROXIMATELY 0422 HRS. I HEARD TWO CITY UNITS DISPATCHED TO THE "COUNTRY INN" ON DEL NORTE RD., IN CAMARILLO, ON A SUSPICIOUS VEHICLE PARKED BEHIND THE INN. I HEARD THE UNITS SAY THEY HAD ARRIVED ON SCENE. APPROXIMATELY 5 MINUTES LATER, I HEARD DISPATCH ADVISE OF SHOTS FIRED ON EUCALYPTUS. THE NEXT BROADCAST WAS THAT THE SHOTS HAD BEEN FIRED IN NYELAND ACRES. WE STARTED RESPONDING TO THE AREA. NEXT, I HEARD DISPATCH ADVISE THAT A <sup>999</sup>~~994~~ ON EUCALYPTUS HAD OCCURRED. WE THEN HEARD THAT THE INCIDENT WAS A SHOOTING AT THE COMFORT INN. WE RESPONDED TO THE LOCATION ENTERING THROUGH THE EAST PARKING LOT OF THE COUNTRY INN. I PULLED OUR PATROL UNIT INTO THE REAR OF THE INN, STOPPING IN THE MIDDLE OF THE PARKING LOT FACING WEST BOUND. (IN THE AREA OF THE PLANTER LOCATED BY THE SOUTH EAST CORNER OF THE COMFORT INN BUILDING.) AS WE DROVE AROUND THE REAR OF THE BUILDING, I SAW A PICKUP TRUCK PARKED ON AN ANGLE, FACING IN A GENERAL NORTH DIRECTION BEHIND THE COMFORT INN IN FRONT OF A PATROL UNIT.

I SAW DEP. LOES AND DEP. HARA POSITIONED TO THE EAST OF THE PICKUP TRUCK, BEHIND A POWER BOX. BOTH OFFICERS HAD THEIR WEAPONS DRAWN AND POINTED AT THE CAB OF THE PICKUP TRUCK (FACING WEST BOUND). TO THE SOUTH WEST OF THE TRUCK, BY A PATROL UNIT, I SAW DEP. TORPEY, WITH HIS WEAPON DRAWN POINTING TOWARDS CAB OF THE PICKUP TRUCK. I SAW THAT THE PASSENGER'S WINDOW OF THE PICKUP TRUCK WAS BROKEN AND APPEARED TO HAVE BEEN SHOT OUT. (I COULD NOT TELL HOW MANY HOLES WERE IN THE WINDOW)

13 DATE / TIME OF REPORT 2-2-98 1100	14 REPORTING OFFICER / ID NO / DIV / UNIT Hansen #1360 WCP	15 APPROVED BY / ID NO Sgt. Mark Garcia
---	---	--

**NARRATIVE REPORT VENTURA COUNTY SHERIFF'S DEPARTMENT**

Page 4 of 6

Continuation

AGENCY IDENTIFIER CA0560000

1 R.D.	2 BEAT	3 RB NUMBER
8050	8A01	98-010973

4 CODE	5 ITEM	6 QTY.	7 ITEM NAME	8 BRAND / MAKE MANUFACTURER	9 MODEL NAME OR NUMBER	10 MISC. DESCRIPTION	11 IDENTIFICATION / SERIAL NUMBER	12 VALUE
--------	--------	--------	-------------	-----------------------------	------------------------	----------------------	-----------------------------------	----------

I STARTED APPROACHING DEP TORPEY (TO THE REAR OF THE SUSPECT'S PICKUP TRUCK) WITH MY WEAPON DRAWN, AND ONE OF THE DEPUTIES (UNKNOWN WHO) SAID THAT AN OFFICER INVOLVED SHOOTING HAD OCCURRED. THEY SAID THEY COULD NOT SEE THE SUSPECTS HANDS INSIDE THE VEHICLE. I APPROACHED THE PASSENGERS SIDE OF THE SUSPECT'S PICKUP TRUCK AND WITH DEP. TORPEY COVERING THE VEHICLE, I LOOKED INSIDE THE VEHICLE. (THROUGH THE REAR SLIDING WINDOW WITH MY FLASHLIGHT) I SAW A MALE SITTING IN THE DRIVER'S SEAT (LATER VERBALLY IDENTIFIED AS "JEFF REYNOLDS") WITH HIS HANDS FOLDED ON HIS LAP WITH NO VISABLE WEAPON AND THE SOLE OCCUPANT OF THE VEHICLE.)

I ALSO SAW THE LEFT DRIVER'S WINDOW HAD BEEN BROKEN, AND IT APPEARED TO HAVE BEEN SHOT OUT. (UNKNOWN HOW MANY HOLES, BUT IT APPEARED THAT THERE WERE AT LEAST TWO.)

I YELLED AT REYNOLDS TO SHOW HIS HANDS, AND HE REFUSED TO RESPOND. I THEN YELLED THROUGH THE RIGHT BROKEN WINDOW TO REYNOLDS TO SHOW HIS HANDS, AND REYNOLDS CONTINUED TO LOOK STRAIGHT AHEAD WITHOUT RESPONDING TO MY VERBAL COMMANDS. I THEN ATTEMPTED TO OPEN THE PASSENGER'S DOOR (BY OPENING THE RIGHT DOOR) WHICH WOULD NOT OPEN. I CLEARED OUT THE BROKEN GLASS IN THE PASSENGER'S WINDOW WITH MY BATON, THEN REACHED INSIDE AND ATTEMPTED TO UNLOCK THE DOORS WITH THE ELECTRIC DOOR LOCK BUTTON. I ATTEMPTED TO OPEN THE DOOR FROM THE OUTSIDE ONCE AGAIN, BUT AGAIN THE DOOR WOULD NOT OPEN. I THEN REACHED INSIDE AND OPENED THE PASSENGER'S DOOR WITH THE DOOR HANDLE. ONCE AGAIN, I YELLED AT REYNOLDS TO SHOW ME HIS HANDS, AND REYNOLDS DID NOT RESPOND TO ANY COMMANDS. I CHECKED VISUALLY FOR ANY EVIDENCE OF GUNSHOT WOUNDS TO REYNOLDS, BUT COULD NOT SEE ANY. I REACHED IN AND CHECKED REYNOLDS NECK FOR A PULSE, AND I WAS UNABLE TO DETECT ANY PULSE.

13 DATE / TIME OF REPORT 2-2-98	14 REPORTING OFFICER / ID NO / DIV / UNIT Handy B #1360 WCP	15 APPROVED BY / ID NO [Signature] 02/02/98
------------------------------------	--	--

**NARRATIVE REPORT VENTURA COUNTY SHERIFF'S DEPARTMENT**

Page 5 of 6

Continuation

AGENCY IDENTIFIER CA0560000

1 R.D.	2 BEAT	3 RB NUMBER
8050	8A01	98-010973

4 CODE	5 ITEM	6 QTY.	7 ITEM NAME	8 BRAND / MAKE MANUFACTURER	9 MODEL NAME OR NUMBER	10 MISC. DESCRIPTION	11 IDENTIFICATION / SERIAL NUMBER	12 VALUE
--------	--------	--------	-------------	-----------------------------	------------------------	----------------------	-----------------------------------	----------

DEP. TORPEY THEN OPENED <sup>THE</sup> VEHICLES DRIVER'S DOOR AND STARTED CHECKING REYNOLDS FOR WOUNDS, AND PULSE. DEP. TORPEY WAS UNABLE TO FIND ANY WOUNDS AND WAS ABLE TO DETECT A PULSE. DEP. TORPEY THEN PLACED HANDCUFFS ON REYNOLDS WRISTS IN HIS LAP, AS HE CONTINUED TO MONITOR REYNOLDS WITH THE ASSISTANCE OF DEP. KENNEMAN. I EXITED REYNOLDS VEHICLE THROUGH THE RIGHT DOOR.

I THEN REQUESTED THAT THE UNITS IN THE AREA SET UP A PERIMETER, AND HAD DEP. LOES AND DEP. HARA GO TO SEPARATE PATROL UNITS AND STAY INSIDE THE UNITS UNTIL FURTHER DIRECTED. I REQUESTED UNITS TO SECURE THE CRIME SCENE, AND REQUESTED DEP. SMITH TO START A LOG. WHILE WALKING AROUND THE SCENE, I SAW FRESH DAMAGE TO THE FRONT OF A PATROL UNIT LOCATED BEHIND REYNOLDS VEHICLE. I SAW FRESH DAMAGE TO THE LEFT REAR OF REYNOLDS VEHICLE. IT APPEARED THAT THE TWO VEHICLES HAD BEEN INVOLVED IN A COLLISION AT THE SCENE.

I THEN CONTACTED SGT. HAMMER BY PHONE AND ADVISED HIM WHAT HAD OCCURRED UP TO THIS TIME.

AFTER THE ARRIVAL OF SGT. HUNT AND SR. DEP. CARGILE, I ASSISTED WITH THE SCENE, UNTIL REYNOLDS WAS TRANSPORTED TO PLEASANT VALLEY HOSPITAL.

DEP. KENNEMAN RESPONDED TO THE HOSPITAL IN THE AMBULANCE, AND I RESPONDED IN A PATROL UNIT (THE SUBURBAN 3027) BEHIND THE AMBULANCE.

THE PATROL VEHICLE I WAS DRIVING WHEN WE RESPONDED TO THE SCENE, WAS LEFT AT THE SCENE, UNIT 3408.

DEP. KENNEMAN AND I STOOD BY <sup>WITH REYNOLDS AT</sup> THE HOSPITAL.

I REQUESTED THE STAFF AT PLEASANT VALLEY HOSPITAL DRAW BLOOD FROM REYNOLDS AND THEY DREW BLOOD AT APPROXIMATELY 0605 HRS. (THE BLOOD WAS

13 DATE / TIME OF REPORT 2-2 98 1100	14 REPORTING OFFICER / ID NO / DIV / UNIT HARRIS #1260 WCP	15 APPROVED BY / ID NO SGT. M... 1470 W... A...
---	---	---

**NARRATIVE REPORT VENTURA COUNTY SHERIFF'S DEPARTMENT**

Page 6 of 6

Continuation

AGENCY IDENTIFIER CA0560000

1 R.D.	2 BEAT	3 RB NUMBER
8050	8A01	98-010973

4 CODE	5 ITEM	6 QTY.	7 ITEM NAME	8 BRAND / MAKE MANUFACTURER	9 MODEL NAME OR NUMBER	10 MISC. DESCRIPTION	11 IDENTIFICATION / SERIAL NUMBER	12 VALUE
--------	--------	--------	-------------	-----------------------------	------------------------	----------------------	-----------------------------------	----------

RELEASED TO SST. [REDACTED] # 2770 AT APPROXIMATELY 0955 HRS.)

DURING THE TIME I WAS AT THE HOSPITAL, REYNOLDS WAS UNRESPONSIVE, AND APPEARED TO BE ASLEEP EXCEPT WHEN ASKED DIRECT QUESTIONS BY THE HOSPITAL STAFF. (THE TREATING PHYSICIAN WAS DR. [REDACTED])

DEP. KENNEMAN AND I MAINTAINED SECURITY ON REYNOLDS UNTIL APPROXIMATELY 0830 HRS. WHEN DEP. KOSTAS RELIEVED US.

**ADDITIONAL INFORMATION**

THE SUSPECT VERBALLY IDENTIFIED HIMSELF AS A "JEFF REYNOLDS" WITH A DOB OF [REDACTED] TO THE PARAMEDICS AT THE SCENE OF THE SHOOTING.

AT THE HOSPITAL AT APPROXIMATELY 0730 HRS. I HAD THE NURSE VERIFY THE SUBJECTS NAME AND HE VERIFIED THAT HIS NAME WAS THE SAME, WITH A DOB OF [REDACTED]. HE ALSO TOLD US HE LIVED OUT OF HIS VEHICLE, AND HE GRADUATED FROM OXNARD HIGH SCHOOL.

DURING THE FULL TIME I WAS WITH REYNOLDS, HE DID NOT RESPOND TO ANY QUESTIONS EXCEPT WHEN ASKED, AND HE JUST LAID ON THE BED.

13 DATE / TIME OF REPORT 2/29/88 1100	14 REPORTING OFFICER / ID NO / DIV / UNIT Hansen #1360 WCP	15 APPROVED BY / ID NO [Signature] 1440
--	---	--



CRIME / INCIDENT REPORT

VENTURA COUNTY SHERIFF'S DEPARTMENT  
AGENCY IDENTIFIER CA0560000

1 CONNECTING REPORT NUMBERS		2 R.D. 8003	3 BEAT 8A	4 RB NUMBER 98-10973
5 <input type="checkbox"/> CRIME <input type="checkbox"/> INCIDENT <input checked="" type="checkbox"/> SUPPLEMENTAL		6 <input type="checkbox"/> DOMESTIC <input type="checkbox"/> CHILD ABUSE <input type="checkbox"/> HATE <input type="checkbox"/> GANG <input type="checkbox"/> ELDERLY ABUSE <input type="checkbox"/>		
7 CODE SECTION / DESCRIPTION (INCIDENT) 245(2)(1) P.C. / A.D.W.		8 CLASS. <input type="checkbox"/> Misd. <input checked="" type="checkbox"/> Fel.	9 CODE SECTION / DESCRIPTION ( <input type="checkbox"/> Reclassify To)	
11 CODE SECTION / DESCRIPTION (INCIDENT)		12 CLASS. <input type="checkbox"/> Misd. <input type="checkbox"/> Fel.	13 CODE SECTION / DESCRIPTION ( <input type="checkbox"/> Reclassify To)	
15 OCCURRED FROM	MO. DAY YR. TIME 02   02   98   0427	18 DOW MON.	17 OCCURRED TO	18 DOW
19 LOCATION OF OFFENSE / INCIDENT ADDRESS CITY STATE ZIP THE COUNTRY INN 1405 DEL NORTE RD. CAMARILLO CA. 93010				
20 CODE: V-VICTIM W-WITNESS R-REPORTING PARTY F-FINDER O-OWNER P-PARTY				
CODE	22 NAME (Last, First, Middle, Gen.) / FIRM NAME	AKA / Moniker	RACE	SEX
25	HT	26	WT	27
28	HAIR	29	EYES	30
31	DOB	32	AGE	
33				
34				
35				
36				
37				
38				
39				
40				
41				
42				
43				
44				
45				
46				
47				
48				
49				
50				
51				
52				
53				
54				
55				
56				
57				
58				
59				
60				
61				
62				
63				
64				
65				
66				
67				
68				
69				
70				
71				
72				
73				
74				
75				
76				
77				
78				



**CRIME / INCIDENT REPORT** VENTURA COUNTY SHERIFF'S DEPARTMENT  
 (CONTINUED) Page 2 of 3 AGENCY IDENTIFIER CA0560000

78 RB NUMBER

98-10973

79 **ADDITIONAL NAME** (Complete Front Page First)

80 CODE	81 NAME (Last, First, Middle, Gen.) / FIRM NAME	AKA / Moniker	RACE 82	SEX 83	84 HT	85 WT	86 HAIR	87 EYES	88 DOB	89 AGE
90 RESIDENCE ADDRESS / ( <input type="checkbox"/> Same as Box _____ ) CITY STATE ZIP								91 RESIDENCE PHONE ( )		
92 BUSINESS / SCHOOL NAME ADDRESS / ( <input type="checkbox"/> Same as Box _____ ) CITY STATE ZIP								93 BUSINESS PHONE ( )		
94 OCCUPATION ( <input type="checkbox"/> STUDENT )				95 DAYS OFF		96 WORK HRS		97 INTERPRETER		98 OPERATOR'S LIC. NO. / STATE
99 VEHICLE LIC. NO. / STATE		100 VEH. COLOR / YEAR / MAKE / MODEL / BODY STYLE				101 OTHER CHARACTERISTICS / VIN NO.				

102 **DOMESTIC VIOLENCE** ( PC 13700, 13730 ) \* COMPLETE #70 & 71 ON FRONT PAGE

103 / RESPONDED TO A CALL INVOLVING A DOMESTIC INCIDENT : <input type="checkbox"/> Parties involved are described in 13700 (B) PC and <input type="checkbox"/> Incident was verbal only, <u>no</u> evidence of crime, physical violence or traumatic condition existed. (brief narrative required) or <input type="checkbox"/> A misdemeanor ( _____ PC ) occurred <u>and</u> no prosecution was desired by any involved party. <input type="checkbox"/> A felony <input type="checkbox"/> A misdemeanor arrest was made for ( _____ PC )						104 RELATIONSHIP OF PARTIES <input type="checkbox"/> SPOUSES <input type="checkbox"/> FORMER SPOUSES <input type="checkbox"/> DATING/ ENGAGED <input type="checkbox"/> FORMER DATING <input type="checkbox"/> COHABITANTS <input type="checkbox"/> FORMER COHABITANT <input type="checkbox"/> PARENTS OF CHILD FROM RELATIONSHIP					
105 # OF PRIOR RESPONSES? _____ ALCOHOL/DRUG USE BY ABUSER? <input type="checkbox"/> Yes <input type="checkbox"/> No											

106 **BICYCLE INFORMATION**

107 <input type="checkbox"/> STOLEN <input type="checkbox"/> LOST (Safekeeping, Found, Recovered, Evidence, use Property / Evidence Report)		108 <input type="checkbox"/> Boys <input type="checkbox"/> ATB <input type="checkbox"/> Road <input type="checkbox"/> Hybrid		109 COLOR		110 MAKE / MODEL		111 FRAME SIZE		112 WHEEL SIZE		113 GEARS		114 SERIAL NUMBER	
		<input type="checkbox"/> Girls <input type="checkbox"/> Juv. <input type="checkbox"/> BMX <input type="checkbox"/> Cruiser													
115 LICENSE NO. / CITY				116 ADDITIONAL EQUIPMENT OR IDENTIFYING CHARACTERISTICS								117 VALUE			

108 **NARRATIVE**

If crime report, include brief description below (establishing elements of crime.) Use Narrative Report for details of crime. List stolen / lost property (use format below.) Enter total value/dollar loss on #69. All suspect information on Suspect Report.

119 **PROPERTY CLASSIFICATION CODES**

SP - STOLEN PROPERTY  
LP - LOST PROPERTY

A - CURRENCY / NOTES  
B - JEWELRY / PRECIOUS METALS  
C - CLOTHING / FURS

D - VEHICLE  
E - OFFICE EQUIPMENT  
F - ELECTRONIC EQUIPMENT

G - FIREARMS  
H - HOUSEHOLD GOODS  
I - CONSUMABLE GOODS

J - LIVESTOCK  
K - MISCELLANEOUS

120 CODE	121 ITEM	122 QTY.	123 ITEM NAME	124 BRAND / MAKE MANUFACTURER	125 MODEL / NAME OR NUMBER	126 MISC. DESCRIPTION	127 IDENTIFICATION / SERIAL NUMBER	128 VALUE
----------	----------	----------	---------------	-------------------------------	----------------------------	-----------------------	------------------------------------	-----------

ON 02-02-98, AT ABOUT 0427 HRS., DEP. CLARK AND I WERE ON UNIFORMED PATROL AS "3DII". WE RESPONDED TO THE COUNTRY INN REFERENCE A "CODE 999" (OFFICER NEEDS ASSISTANCE). UPON OUR ARRIVAL, WE ASSISTED IN SECURING THE CRIME SCENE. REFER TO ADDITIONAL REPORTS FOR ADDITIONAL INFORMATION ON THE INCIDENT.

WHILE AT THE SCENE, I WAS CONTACTED BY DEP. BITER WHO REQUESTED MY ASSISTANCE IN INTERVIEWING A POSSIBLE WITNESS. I CONTACTED THE SUBJECT, (W) [REDACTED] AND HE TOLD ME THE FOLLOWING:

HE'S BEEN STAYING AT THE COUNTRY INN BECAUSE HE'S CONDUCTING BUSINESS IN THE LOCAL AREA. HE'S STAYING IN ROOM #133 WHICH IS LOCATED ON THE FIRST FLOOR TO THE REAR OF THE BUILDING. ON 02-02-98, AT ABOUT 0100 HRS, HE FELL ASLEEP.

NARRATIVE REPORT VENTURA COUNTY SHERIFF'S DEPARTMENT

Page 3 of 3  Continuation

AGENCY IDENTIFIER CA0560000

1 R.D. 8003	2 BEAT 8A	3 RB NUMBER 98-10973
----------------	--------------	-------------------------

4 CODE	5 ITEM	6 QTY.	7 ITEM NAME	8 BRAND / MAKE MANUFACTURER	9 MODEL NAME OR NUMBER	10 MISC. DESCRIPTION	11 IDENTIFICATION / SERIAL NUMBER	12 VALUE	
			<p>AT ABOUT 0400-0410 HRS., HE WOKE UP TO THE SOUND OF "SCREECHING TIRES". HE THEN HEARD THE SOUND OF WHAT HE BELIEVED WERE TWO GUNSHOTS. HE LOOKED OUT THE ROOM WINDOW, WHICH FACES TO THE REAR PARKING LOT OF THE BUILDING. HE RECALLS THE TIME BECAUSE HE LOOKED AT HIS CLOCK AT THAT TIME, HE SAW A GREEN TRUCK ON THE REAR CURB OF THE LOT. HE SAW THREE DEPUTIES JUST TO THE RIGHT OF THE TRUCK USING A GREEN TRANSFORMER AS "COVER". THE TWO MALE DEPUTIES HAD THEIR GUNS DRAWN AND POINTED AT THE DIRECTION OF THE TRUCK. HE ALSO SAW A PATROL CAR BEHIND THE TRUCK. AN ADDITIONAL DEPUTY WAS STANDING NEAR THE DRIVER'S SIDE DOOR OF THE PATROL CAR. HE ALSO HAD HIS GUN DRAWN AND POINTED AT THE DIRECTION OF THE TRUCK. HE THEN HEARD DEPUTIES "YELLING COMMANDS" TO THE DRIVER OF THE TRUCK. HE WAS UNABLE TO DISTINGUISH WHAT WAS BEING SAID. [REDACTED] DID NOT OBSERVE ANY FURTHER. HE FELL ASLEEP AND WOKE UP AT ABOUT 0600 HRS. HE NOTICED DEPUTIES WERE STILL AT THE SCENE. HE LEFT HIS ROOM AND WALKED INTO THE RESTAURANT WHEN HE WAS APPROACHED BY DEPUTIES ABOUT THE INCIDENT.</p> <p>[REDACTED] ADDED THAT HIS ROOM WAS LOCATED DIRECTLY IN FRONT OF WHERE THE INCIDENT OCCURED.</p> <p>REFER TO THE ADDITIONAL REPORTS FOR FURTHER INFORMATION ON THE INCIDENT.</p>						

13 DATE / TIME OF REPORT  
2-2-98 / 0800 HRS.

14 REPORTING OFFICER / ID NO / DIV / UNIT  
L. ALVAREZ / 2886 / WCP, 114.

15 APPROVED BY / ID NO  
*[Signature]* 8003 561

CRIME / INCIDENT REPORT

VENTURA COUNTY SHERIFF'S DEPARTMENT  
AGENCY IDENTIFIER CA0560000

1 CONNECTING REPORT NUMBERS		2 R.D. 8050	3 BEAT 8A	4 RB NUMBER 98-10973
-----------------------------	--	----------------	--------------	-------------------------

5 <input checked="" type="checkbox"/> CRIME <input type="checkbox"/> INCIDENT <input type="checkbox"/> SUPPLEMENTAL	6 <input type="checkbox"/> DOMESTIC <input type="checkbox"/> CHILD ABUSE <input type="checkbox"/> HATE <input type="checkbox"/> GANG <input type="checkbox"/> ELDERLY ABUSE
<input type="checkbox"/> CASE CLEARED	

7 CODE SECTION / DESCRIPTION (INCIDENT) 245(A)(1) P.C. / A.D.W	8 CLASS. <input type="checkbox"/> Misd. <input checked="" type="checkbox"/> Fel.	9 CODE SECTION / DESCRIPTION ( <input type="checkbox"/> Reclassify To)	10 CLASS. <input type="checkbox"/> Misd. <input type="checkbox"/> Fel.
---	--	--	--

11 CODE SECTION / DESCRIPTION (INCIDENT)	12 CLASS. <input type="checkbox"/> Misd. <input type="checkbox"/> Fel.	13 CODE SECTION / DESCRIPTION ( <input type="checkbox"/> Reclassify To)	14 CLASS. <input type="checkbox"/> Misd. <input type="checkbox"/> Fel.
--	--	---	--

15 OCCURRED FROM MO. DAY YR. TIME 2   2   98   0435	16 DOW MON	17 OCCURRED TO MO. DAY YR. TIME 2   2   98   0437	18 DOW MON
---	---------------	---	---------------

19 LOCATION OF OFFENSE / INCIDENT 1405 DEL NORTE ROAD	ADDRESS CAMARILLO	CITY CA	STATE 93010	ZIP
--	----------------------	------------	----------------	-----

20 CODE: V - VICTIM W - WITNESS R - REPORTING PARTY F - FINDER O - OWNER P - PARTY
--

21 CODE V	22 NAME (Last, First, Middle, Gen.) / FIRM NAME HARA, MARK	AKA / Moniker	RACE	SEX	25 HT	26 WT	27 HAIR	28 EYES	29 DOB	30 AGE
--------------	---	---------------	------	-----	-------	-------	---------	---------	--------	--------

31 RESIDENCE ADDRESS / ( <input type="checkbox"/> Same as Box # ) CONFIDENTIAL	CITY	STATE	ZIP	32 RESIDENCE PHONE ( ) -
---	------	-------	-----	-----------------------------

33 BUSINESS / SCHOOL NAME VTA. CO. SHERIFF'S DEPT.	ADDRESS / ( <input type="checkbox"/> Same as Box # ) 800 S. VICTORIA, VTA.	CITY CA	STATE 93009	ZIP	34 BUSINESS PHONE (805) 654-2311
---	---	------------	----------------	-----	-------------------------------------

35 OCCUPATION ( <input type="checkbox"/> STUDENT) DEPUTY	36 DAYS OFF VARY	37 WORK HRS VARY	38 INTERPRETER -	39 OPERATOR'S LIC. NO. / STATE UNKNOWN
---	---------------------	---------------------	---------------------	---

40 VEH. LIC. NO. / STATE	41 VEH. COLOR / YEAR / MAKE / MODEL / BODY STYLE	42 OTHER CHARACTERISTICS / VIN NO.
--------------------------	--	------------------------------------

43 CODE	44 NAME (Last, First, Middle, Gen.) / FIRM NAME	AKA / Moniker	RACE	SEX	47 HT	48 WT	49 HAIR	50 EYES	51 DOB	52 AGE
---------	---	---------------	------	-----	-------	-------	---------	---------	--------	--------

53 RESIDENCE ADDRESS / ( <input type="checkbox"/> Same as Box # )	CITY	STATE	ZIP	54 RESIDENCE PHONE ( )
---	------	-------	-----	---------------------------

55 BUSINESS / SCHOOL NAME	ADDRESS / ( <input type="checkbox"/> Same as Box # )	CITY	STATE	ZIP	56 BUSINESS PHONE ( )
---------------------------	--	------	-------	-----	--------------------------

57 OCCUPATION ( <input type="checkbox"/> STUDENT)	58 DAYS OFF	59 WORK HRS	60 INTERPRETER	61 OPERATOR'S LIC. NO. / STATE
---	-------------	-------------	----------------	--------------------------------

62 VEH. LIC. NO. / STATE	63 VEH. COLOR / YEAR / MAKE / MODEL / BODY STYLE	64 OTHER CHARACTERISTICS / VIN NO.
--------------------------	--	------------------------------------

65 ARSON <input type="checkbox"/> Single Fam. Resd. <input type="checkbox"/> Inhabited <input type="checkbox"/> Uninhabited <input type="checkbox"/> Storage <input type="checkbox"/> Industrial <input type="checkbox"/> Commercial <input type="checkbox"/> Other Structure <input type="checkbox"/> Public Place <input type="checkbox"/> Vehicle <input type="checkbox"/> Unlawful Fire <input type="checkbox"/> Forest <input type="checkbox"/> Injury Occurred <input type="checkbox"/> Other	66 BURGLARY <input type="checkbox"/> Residential <input type="checkbox"/> Vehicle <input type="checkbox"/> Commercial <input type="checkbox"/> Other	67 ROBBERY <input type="checkbox"/> Bank <input type="checkbox"/> Chain Store <input type="checkbox"/> Commercial <input type="checkbox"/> Gas Station <input type="checkbox"/> Highway <input type="checkbox"/> Residence <input type="checkbox"/> Other	68 THEFT <input type="checkbox"/> Auto Parts <input type="checkbox"/> Bicycle <input type="checkbox"/> From Bldg. <input type="checkbox"/> Coin Machine <input type="checkbox"/> From Person <input type="checkbox"/> From Vehicle <input type="checkbox"/> Purse Snatch <input type="checkbox"/> Shoplift <input type="checkbox"/> Other	69 VALUE / DOLLAR LOSS \$ VALUE / DAMAGE LOSS \$	70 FORCE / WEAPON <input type="checkbox"/> No Force <input type="checkbox"/> No Weapon <input type="checkbox"/> Verbal Only <input type="checkbox"/> Attempt Only <input type="checkbox"/> Great Bodily Injury <input type="checkbox"/> Firearm <input type="checkbox"/> Knife <input type="checkbox"/> Hands/Fists/Feet <input checked="" type="checkbox"/> Other VEHICLE	71 DOMESTIC VIOLENCE / SEX / HATE CRIMES <input type="checkbox"/> D.V. and/or S. A. Pamphlet given to: <input type="checkbox"/> Victim <input type="checkbox"/> P-1 <input type="checkbox"/> P-2 <input type="checkbox"/> Pursuant to Sec. 6254 G.C., victim of D.V., Sex or Hate Crime requests their name be withheld from the public. <input type="checkbox"/> YES <input type="checkbox"/> NO	72 SPECIAL INTEREST (Copy to Agency/Unit) <input type="checkbox"/> Domestic Violence <input type="checkbox"/> Sex Crime <input type="checkbox"/> Child Abuse <input type="checkbox"/> PSSA <input type="checkbox"/> Gang Related <input type="checkbox"/> Hate Crime <input type="checkbox"/> Agricultural <input type="checkbox"/> Probation <input type="checkbox"/> Parole <input type="checkbox"/> Other
--	--	--	--	---	--	---	---

73 DATE AND TIME REPORTED 2-2-98 / 0437	74 DATE / TIME OF REPORT 2-2-98 / 0910	75 REPORTING OFFICER / ID NO. / DIV. / UNIT BECKETT / 2730 / W.C.P.S.	76 APPROVED BY / ID NO. [Signature]
--	---	--	--

77 COPIES TO <input type="checkbox"/> DET / MC <input type="checkbox"/> NARC <input type="checkbox"/> GANG / SED <input type="checkbox"/> STATS <input type="checkbox"/> PRESS <input type="checkbox"/> DOJ <input type="checkbox"/> COURT <input type="checkbox"/> OTHER
---



**CRIME / INCIDENT REPORT** VENTURA COUNTY SHERIFF'S DEPARTMENT  
 (CONTINUED) Page 2 of 8 AGENCY IDENTIFIER CA0560000

78 RB NUMBER  
98-10973

**ADDITIONAL NAME** (Complete Front Page First)

81 NAME (Last, First, Middle, Gen.) / FIRM NAME	AKA / Moniker	RACE 82	SEX 83	84 HT	85 WT	86 HAIR	87 EYES	88 DOB	89 GAZE
90 RESIDENCE ADDRESS / ( <input type="checkbox"/> Same as Box _____ ) CITY STATE ZIP						91 RESIDENCE PHONE ( )			
92 BUSINESS / SCHOOL NAME ADDRESS / ( <input type="checkbox"/> Same as Box _____ ) CITY STATE ZIP						93 BUSINESS PHONE ( )			
94 OCCUPATION ( <input type="checkbox"/> STUDENT )	95 DAYS OFF	96 WORK HRS	97 INTERPRETER			98 OPERATOR'S LIC. NO. / STATE			
99 VEHICLE LIC. NO. / STATE	100 VEH. COLOR / YEAR / MAKE / MODEL / BODY STYLE				101 OTHER CHARACTERISTICS / VIN NO.				

**102 DOMESTIC VIOLENCE** ( PC 13700, 13730 ) \* COMPLETE #70 & 71 ON FRONT PAGE

**103 / RESPONDED TO A CALL INVOLVING A DOMESTIC INCIDENT:**

Parties involved are described in 13700 (B) PC and

Incident was verbal only, no evidence of crime, physical violence or traumatic condition existed. (brief narrative required) or

A misdemeanor ( \_\_\_\_\_ PC ) occurred and no prosecution was desired by any involved party.

A felony  A misdemeanor arrest was made for ( \_\_\_\_\_ PC )

**104 RELATIONSHIP OF PARTIES**

SPOUSES  FORMER SPOUSES

DATING/ ENGAGED  FORMER DATING

COHABITANTS  FORMER COHABITANT

PARENTS OF CHILD FROM RELATIONSHIP

**105 # OF PRIOR RESPONSES?** \_\_\_\_\_

ALCOHOL/DRUG USE BY ABUSER?  Yes  No

**106 BICYCLE INFORMATION**

107  STOLEN  LOST (Safekeeping, Found, Recovered, Evidence, use Property / Evidence Report)

108  Boys  ATB  Road  Hybrid  Girls  Juv.  BMX  Cruiser

109 COLOR

110 MAKE / MODEL

111 FRAME SIZE

112 WHEEL SIZE

113 GEARS

114 SERIAL NUMBER

115 LICENSE NO. / CITY

116 ADDITIONAL EQUIPMENT OR IDENTIFYING CHARACTERISTICS

117 VALUE

**NARRATIVE** If crime report, include brief description below (establishing elements of crime.) Use Narrative Report for details of crime. List stolen / lost property (use format below.) Enter total value/dollar loss on #69. All suspect information on Suspect Report.

**119 PROPERTY CLASSIFICATION CODES**

SP - STOLEN PROPERTY	A - CURRENCY / NOTES	D - VEHICLE	G - FIREARMS	J - LIVESTOCK
LP - LOST PROPERTY	B - JEWELRY / PRECIOUS METALS	E - OFFICE EQUIPMENT	H - HOUSEHOLD GOODS	K - MISCELLANEOUS
	C - CLOTHING / FURS	F - ELECTRONIC EQUIPMENT	I - CONSUMABLE GOODS	

120 CODE	121 ITEM	122 QTY.	123 ITEM NAME	124 BRAND / MAKE MANUFACTURER	125 MODEL / NAME OR NUMBER	126 MISC. DESCRIPTION	127 IDENTIFICATION / SERIAL NUMBER	128 VALUE	
/	/	/	DEPUTY DESOTO, #2889, AND I WERE WORKING "3D12" TOGETHER. WE RESPONDED TO AN OFFICER INVOLVED SHOOTING AT THE COUNTRY INN IN CAMARILLO. DEPUTY DESOTO AND I IMMEDIATELY BEGAN PUTTING UP CRIME SCENE TAPE TO ESTABLISH A PERIMETER OF THE CRIME SCENE. A SHORT TIME LATER, I WAS DIRECTED TO INTERVIEW GUESTS OF THE HOTEL TO LOCATE WITNESSES. ALL OF THE GUESTS INTERVIEWED WERE STAYING IN ROOMS ON THE NORTH SIDE OF THE INN FACING THE PARKING LOT WHERE THE INCIDENT OCCURRED.						/
/	/	/	I BEGAN BY INTERVIEWING (W-2) [REDACTED] IS A COOK AT THE INN AND WAS WORKING						/

NARRATIVE REPORT VENTURA COUNTY SHERIFF'S DEPARTMENT

Page 3 of 8  Continuation

AGENCY IDENTIFIER CA0560000

1 R.D. 8050	2 BEAT 8A	3 RB NUMBER 98-10973
----------------	--------------	-------------------------

4 DATE	5 ITEM	6 QTY.	7 ITEM NAME	8 BRAND / MAKE MANUFACTURER	9 MODEL NAME OR NUMBER	10 MISC. DESCRIPTION	11 IDENTIFICATION / SERIAL NUMBER	12 VALUE	
			<p>IN THE KITCHEN AT THE TIME OF THE INCIDENT. [REDACTED] TOLD ME SHE WAS DROPPED OFF AT WORK AT ABOUT 0410 HOURS. SHE WAS IN THE KITCHEN FROM 0415 UNTIL THE TIME I INTERVIEWED HER AT 0530. THE KITCHEN IS LOCATED IN THE NORTH LOBBY OF THE INN VERY CLOSE TO THE PARKING LOT WHERE THE INCIDENT OCCURRED. [REDACTED] TOLD ME SHE DID NOT SEE OR HEAR ANYTHING. [REDACTED] SEEMED SURPRISED THAT THE POLICE WERE THERE, AND HAD NO IDEA OF WHAT HAD HAPPENED.</p>						
			<p>I THEN WENT ROOM TO ROOM INTERVIEWING GUESTS OF THE HOTEL.</p>						
			<p>(W-3) [REDACTED] - ROOM #125 / ROOM #125 IS LOCATED NEAR THE LOBBY AND NOT TOO FAR FROM THE INCIDENT. [REDACTED] TOLD ME HE WAS ASLEEP IN HIS ROOM AT 0430 HOURS WHEN HE WAS AWAKENED BY SOME KIND OF UNKNOWN COMMOTION COMING FROM THE NORTH PARKING LOT. [REDACTED] SAID HE THOUGHT HE HEARD A CRASH BUT WASN'T SURE. [REDACTED] SAID HE THEN HEARD LOUD VOICES BUT COULDN'T HEAR WHAT WAS BEING SAID. [REDACTED] THEN HEARD TWO GUNSHOTS. THE SHOTS WERE CLOSE TOGETHER. HE LOOKED OUT HIS WINDOW AND COULD ONLY SEE THE PATROL CAR</p>						

13 DATE / TIME OF REPORT

14 REPORTING OFFICER / ID NO / DIV / UNIT

15 APPROVED BY / ID NO

2-2-98 / 1000

BECKETT / 2780 / W.C.P.S.

*[Signature]* 0797 8/1



## NARRATIVE REPORT

VENTURA COUNTY SHERIFF'S DEPARTMENT

AGENCY IDENTIFIER CA0560000

(Continued)

Page 4 of 8

16 RB NUMBER

98-10973

BLOCKING IN A GREEN TRUCK. [REDACTED]  
COULDN'T SEE OR HEAR ANYTHING ELSE.  
THE ENTIRE INCIDENT LASTED ABOUT  
FIFTEEN SECONDS.

(W-4) [REDACTED] AND (W-5) [REDACTED]  
ROOM #201 / ROOM #201 IS ON THE  
SECOND FLOOR AND IS A ROOM ON THE  
FAR WEST END OF THE INN. [REDACTED]  
AND [REDACTED] TOLD ME THEY WERE SOUND  
ASLEEP ALL NIGHT AND HEARD NOTHING  
BUT RAINFALL.

(W-6) [REDACTED] ROOM #205 / ROOM #205  
IS ON THE SECOND FLOOR AND AT THE  
WEST SIDE OF THE INN. [REDACTED] TOLD ME  
HE WAS AWAKENED EARLY IN THE MORNING  
TO THE SOUND OF TWO GUNSHOTS COMING  
FROM THE NORTH PARKING LOT. [REDACTED]  
LOOKED OUT THE WINDOW OF HIS ROOM  
AND SAW A POLICE CAR BLOCKING IN  
A GREEN TRUCK. HE COULD SEE TWO  
OFFICERS AND ANOTHER PERSON POINTING  
GUNS AT THE TRUCK BUT COULDN'T SEE  
MUCH ELSE. [REDACTED] SAID HE NEVER HEARD  
ANYTHING BUT THE GUNSHOTS. [REDACTED] COULD  
NOT ESTIMATE HOW LONG THE INCIDENT LASTED.

(W-7) [REDACTED] ROOM #205 / [REDACTED]  
WAS STAYING IN THE SAME ROOM AS (W-6) [REDACTED]  
[REDACTED] SAID SHE WAS HALF ASLEEP AT 0430  
HOURS WHEN SHE HEARD TWO GUNSHOTS FIRED

NARRATIVE REPORT VENTURA COUNTY SHERIFF'S DEPARTMENT

Page 5 of 8  Continuation

AGENCY IDENTIFIER CA0560000

1 R.D. 8050	2 BEAT 8A	3 RB NUMBER 98-10973
----------------	--------------	-------------------------

4 CODE	5 ITEM	6 QTY.	7 ITEM NAME	8 BRAND / MAKE MANUFACTURER	9 MODEL NAME OR NUMBER	10 MISC. DESCRIPTION	11 IDENTIFICATION / SERIAL NUMBER	12 VALUE
--------	--------	--------	-------------	-----------------------------	------------------------	----------------------	-----------------------------------	----------

FAIRLY CLOSE TOGETHER. THE SHOTS CAME FROM THE NORTH PARKING LOT BY HER WINDOW.

HEARD YELLING BUT COULDN'T UNDERSTAND WHAT WAS SAID. SHE THEN HEARD TIRES SCREECHING AND MORE YELLING.

NEVER LOOKED OUT HER WINDOW AND DIDN'T HEAR ANYTHING AFTERWARDS.

(W-8) Room #209 / Room #209 IS ON THE SECOND FLOOR NEAR THE MIDDLE OF THE INN FACING THE NORTH PARKING LOT.

SAID HE AWAKE TO YELLING IN THE NORTH PARKING LOT. THE YELLING SOUNDED LIKE, "KEEP YOUR HANDS OFF"

THEN HEARD TWO GUNSHOTS FAIRLY CLOSE TOGETHER.

SAID HE ISN'T SURE IF THE SHOTS OR THE YELLING CAME FIRST. HEARD MORE LOUD VOICES BUT COULDN'T UNDERSTAND WHAT WAS BEING SAID.

DIDN'T HEAR ANYTHING AFTER THAT AND DIDN'T LOOK OUT HIS WINDOW.

COULD NOT ESTIMATE THE TIME OF THE INCIDENT OR HOW LONG IT LASTED.

(W-9) Room #217 / Room #217 IS ON THE SECOND FLOOR NEAR THE CENTER OF THE INN AND IS FAIRLY CLOSE TO WHERE THE INCIDENT OCCURRED.

13 DATE / TIME OF REPORT

2-2-98 / 1100

14 REPORTING OFFICER / ID NO / DIV / UNIT

BECKETT / 2730 / W.C.A.S.

15 APPROVED BY / ID NO

*[Signature]* 0797



## NARRATIVE REPORT

VENTURA COUNTY SHERIFF'S DEPARTMENT  
AGENCY IDENTIFIER CA0560000

(Continued)

Page 6 of 8

16 RB NUMBER

98-10973

██████████ SAID HE WAS AWAKENED BY TWO GUNSHOTS COMING FROM THE PARKING LOT BY HIS WINDOW. THE SHOTS WERE CLOSE TOGETHER. ██████████ SAID HE HEARD TIRES SCREECHING AND THEN YELLING. A COUPLE OF MINUTES LATER, HE HEARD A VOICE SAY, "DIDNT YOU HEAR ME?". ██████████ DID NOT LOOK OUT HIS WINDOW AND HEARD NOTHING AFTER THAT.

(W-10) ██████████ - ROOM #217 / STAYING WITH (W-9) ██████████ IN SAME ROOM. ██████████ SAID SHE WAS AWAKENED BY TWO GUNSHOTS COMING FROM THE NORTH PARKING LOT BY HER WINDOW. ██████████ THEN HEARD YELLING BUT COULDN'T UNDERSTAND WHAT WAS BEING SAID. ██████████ HEARD NOTHING AFTER THAT AND DID NOT LOOK OUT HER WINDOW. ██████████ COULD NOT ESTIMATE TIMES.

(W-11) ██████████ - ROOM #223 / ROOM #223 IS ON THE SECOND FLOOR NEAR THE CENTER OF THE INN AND CLOSE TO THE INCIDENT. ██████████ AWOKE TO THE SOUND OF TWO GUNSHOTS, CLOSE TOGETHER, COMING FROM THE NORTH PARKING LOT OUTSIDE HIS WINDOW. ██████████ HEARD YELLING BUT COULDN'T UNDERSTAND WHAT WAS BEING SAID. HE LOOKED OUT THE WINDOW AND SAW A POLICE CAR BLOCKING

NARRATIVE REPORT VENTURA COUNTY SHERIFF'S DEPARTMENT

Page 7 of 8

Continuation

AGENCY IDENTIFIER CA0560000

1 R.D. 8050	2 BEAT 8A	3 RB NUMBER 98-10973
----------------	--------------	-------------------------

4 E	5 ITEM	6 QTY.	7 ITEM NAME	8 BRAND / MAKE MANUFACTURER	9 MODEL NAME OR NUMBER	10 MISC. DESCRIPTION	11 IDENTIFICATION / SERIAL NUMBER	12 VALUE	
			IN A TRUCK. HE COULDN'T SEE ANYTHING ELSE. [REDACTED] DID NOT HEAR ANYTHING AFTER THAT. MIKE COULD NOT ESTIMATE TIMES.						
			(W-12) [REDACTED] - ROOM #233 / ROOM #233 IS ON THE SECOND FLOOR AT THE EAST END OF THE INN. [REDACTED] SAID HE WOKE UP WHEN HE HEARD A CAR CRASH OUTSIDE HIS WINDOW IN THE NORTH PARKING LOT. HE DIDN'T KNOW WHAT TIME IT WAS. [REDACTED] THEN HEARD TWO GUNSHOTS CLOSE TOGETHER. HE HEARD YELLING WHICH SOUNDED LIKE, "GET YOUR HANDS UP!" HE LOOKED OUT HIS WINDOW AND SAW A POLICE CAR BLOCKING IN A GREEN TRUCK. HE COULDN'T SEE OR HEAR ANYTHING AFTER THAT.						
			(W-13) [REDACTED] AND (W-14) [REDACTED] ROOM # 303 / ROOM #303 IS ON THE THIRD FLOOR AT THE FAR WEST END OF THE END. IT IS FAR FROM WHERE THE INCIDENT TOOK PLACE. MR AND MRS. [REDACTED] BOTH TOLD ME THEY WERE SOUND ASLEEP ALL NIGHT AND HEARD NOTHING BUT RAIN.						
			I ADVISED CAPTAIN MONTIJO OF WHAT I LEARNED AND WAS CLEARED FROM THE SCENE.						

13 DATE / TIME OF REPORT

14 REPORTING OFFICER / ID NO / DIV / UNIT

15 APPROVED BY / ID NO

2-2-98 / 1100

BECKETT / 2730 / W.C.A.S.

*[Signature]*

**NARRATIVE REPORT**

VENTURA COUNTY SHERIFF'S DEPARTMENT  
AGENCY IDENTIFIER CA0560000

(Continued)

Page 8 of 8

16 RB NUMBER

98-10973

REFER TO REPORTS BY DEPUTIES  
CLARK AND DESOTO FOR MORE  
INTERVIEWS.

MOST OF MY INTERVIEWS WERE  
TAPE RECORDED AND THE TAPE WAS  
FORWARDED TO WEST COUNTY MAJOR  
CRIMES DETECTIVES.



CRIME / INCIDENT REPORT

VENTURA COUNTY SHERIFF'S DEPARTMENT  
AGENCY IDENTIFIER CA0560000

1 CONNECTING REPORT NUMBERS				2 R.D. 8050	3 BEAT 8A01	4 RB NUMBER 98-10973																									
5 <input type="checkbox"/> CRIME <input type="checkbox"/> INCIDENT <input checked="" type="checkbox"/> SUPPLEMENTAL				8 <input type="checkbox"/> DOMESTIC <input type="checkbox"/> CHILD ABUSE <input type="checkbox"/> HATE <input type="checkbox"/> GANG <input type="checkbox"/> ELDERLY ABUSE <input type="checkbox"/>																											
6 <input type="checkbox"/> CASE CLEARED <input type="checkbox"/>																															
7 CODE SECTION / DESCRIPTION (INCIDENT) 245 PC / 10851 VC				8 CLASS. <input type="checkbox"/> Misd. <input type="checkbox"/> Fel.		9 CODE SECTION / DESCRIPTION ( <input type="checkbox"/> Reclassify To)				10 CLASS. <input type="checkbox"/> Misd. <input type="checkbox"/> Fel.																					
11 CODE SECTION / DESCRIPTION (INCIDENT)				12 CLASS. <input type="checkbox"/> Misd. <input type="checkbox"/> Fel.		13 CODE SECTION / DESCRIPTION ( <input type="checkbox"/> Reclassify To)				14 CLASS. <input type="checkbox"/> Misd. <input type="checkbox"/> Fel.																					
15 OCCURRED FROM MO. DAY YR. TIME 02 02 98 0937				16 DOW MON.		17 OCCURRED TO MO. DAY YR. TIME				18 DOW																					
19 LOCATION OF OFFENSE / INCIDENT ADDRESS CITY STATE ZIP THE COUNTRY INN DE CAMARILLO 1405 DEL NORTE CAMARILLO CA.																															
20 CODE: V-VICTIM W-WITNESS R-REPORTING PARTY F-FINDER O-OWNER P-PARTY																															
21 CODE 22 NAME (Last, First, Middle, Gen.) / FIRM NAME AKA / Moniker RACE SEX HT WT HAIR EYES DOB AGE A REYNOLDS, JEFF NMN																															
31 RESIDENCE ADDRESS / ( <input type="checkbox"/> Same as Box # ) CITY STATE ZIP						32 RESIDENCE PHONE ( )																									
33 BUSINESS / SCHOOL NAME ADDRESS / ( <input type="checkbox"/> Same as Box # ) CITY STATE ZIP						34 BUSINESS PHONE ( )																									
35 OCCUPATION ( <input type="checkbox"/> STUDENT)				36 DAYS OFF		37 WORK HRS		38 INTERPRETER		39 OPERATOR'S LIC. NO. / STATE																					
40 VEH. LIC. NO. / STATE NONE			41 VEH. COLOR / YEAR / MAKE / MODEL / BODY STYLE GREEN / FORD / 150 / PU			42 OTHER CHARACTERISTICS / VIN NO.																									
43 CODE 44 NAME (Last, First, Middle, Gen.) / FIRM NAME AKA / Moniker RACE SEX HT WT HAIR EYES DOB AGE																															
53 RESIDENCE ADDRESS / ( <input type="checkbox"/> Same as Box # ) CITY STATE ZIP						54 RESIDENCE PHONE ( )																									
55 BUSINESS / SCHOOL NAME ADDRESS / ( <input type="checkbox"/> Same as Box # ) CITY STATE ZIP						56 BUSINESS PHONE ( )																									
57 OCCUPATION ( <input type="checkbox"/> STUDENT)				58 DAYS OFF		59 WORK HRS		60 INTERPRETER		61 OPERATOR'S LIC. NO. / STATE																					
62 VEH. LIC. NO. / STATE			63 VEH. COLOR / YEAR / MAKE / MODEL / BODY STYLE			64 OTHER CHARACTERISTICS / VIN NO.																									
65 ARSON <input type="checkbox"/> Single Fam. Resd. <input type="checkbox"/> Inhabited <input type="checkbox"/> Uninhabited <input type="checkbox"/> Storage <input type="checkbox"/> Industrial <input type="checkbox"/> Commercial <input type="checkbox"/> Other Structure <input type="checkbox"/> Public Place <input type="checkbox"/> Vehicle <input type="checkbox"/> Unlawful Fire <input type="checkbox"/> Forest <input type="checkbox"/> Injury Occurred <input type="checkbox"/> Other				66 BURGLARY <input type="checkbox"/> Residential <input type="checkbox"/> Vehicle <input type="checkbox"/> Commercial <input type="checkbox"/> Other				67 ROBBERY <input type="checkbox"/> Bank <input type="checkbox"/> Chain Store <input checked="" type="checkbox"/> Commercial <input type="checkbox"/> Gas Station <input type="checkbox"/> Highway <input type="checkbox"/> Residence <input type="checkbox"/> Other				68 THEFT <input type="checkbox"/> Auto Parts <input type="checkbox"/> Bicycle <input type="checkbox"/> From Bldg. <input type="checkbox"/> Coin Machine <input type="checkbox"/> From Person <input type="checkbox"/> From Vehicle <input type="checkbox"/> Purse Snatch <input type="checkbox"/> Shoplift <input type="checkbox"/> Other				69 VALUE / DOLLAR LOSS \$ VALUE / DAMAGE LOSS \$				70 FORCE / WEAPON <input type="checkbox"/> No Force <input type="checkbox"/> No Weapon <input type="checkbox"/> Verbal Only <input type="checkbox"/> Attempt Only <input type="checkbox"/> Great Bodily Injury <input type="checkbox"/> Firearm <input type="checkbox"/> Knife <input type="checkbox"/> Hands/Fists/Feet <input type="checkbox"/> Other				71 DOMESTIC VIOLENCE / SEX / HATE CRIMES <input type="checkbox"/> D.V. and/or S. A. Pamphlet given to: <input type="checkbox"/> Victim <input type="checkbox"/> P-1 <input type="checkbox"/> P-2 <input type="checkbox"/> Pursuant to Sec. 6254 G.C., victim of D.V., Sex or Hate Crime requests their name be withheld from the public. <input type="checkbox"/> YES <input type="checkbox"/> NO				72 SPECIAL INTEREST (Copy to Agency/Unit) <input type="checkbox"/> Domestic Violence <input type="checkbox"/> Sex Crime <input type="checkbox"/> Child Abuse <input type="checkbox"/> PSSA <input type="checkbox"/> Gang Related <input type="checkbox"/> Hate Crime <input type="checkbox"/> Agricultural <input type="checkbox"/> Probation <input type="checkbox"/> Parole <input type="checkbox"/> Other			
73 DATE AND TIME REPORTED 02-02-98 / 0937 HRS.				74 DATE / TIME OF REPORT 02-02-98 / 0730 HRS.				75 REPORTING OFFICER / ID NO / DIV / UNIT L. ALVAREZ / 2886 / WCC, M.D.				76 APPROVED BY / ID NO Sgt. M. [Signature]																			
77 COPIES TO <input type="checkbox"/> DET/MC <input type="checkbox"/> NARC <input type="checkbox"/> GANG/SED <input type="checkbox"/> STATS <input type="checkbox"/> PRESS <input type="checkbox"/> DOJ <input type="checkbox"/> COURT <input type="checkbox"/> OTHER																															

**CRIME / INCIDENT REPORT** VENTURA COUNTY SHERIFF'S DEPARTMENT  
 (CONTINUED) AGENCY IDENTIFIER CA0560000

78 RB NUMBER

98-10973

Page 2 of \_\_\_\_\_

79 **ADDITIONAL NAME** (Complete Front Page First)

81 NAME (Last, First, Middle, Gen.) / FIRM NAME	AKA / Moniker	RACE 82	SEX 83	84 HT	85 WT	86 HAIR	87 EYES	88 DOB	89 AGE
90 RESIDENCE ADDRESS / ( <input type="checkbox"/> Same as Box _____ ) CITY STATE ZIP								91 RESIDENCE PHONE ( )	
92 BUSINESS / SCHOOL NAME ADDRESS / ( <input type="checkbox"/> Same as Box _____ ) CITY STATE ZIP								93 BUSINESS PHONE ( )	
94 OCCUPATION ( <input type="checkbox"/> STUDENT)	95 DAYS OFF	96 WORK HRS	97 INTERPRETER			98 OPERATOR'S LIC. NO. / STATE			
99 VEHICLE LIC. NO. / STATE	100 VEH. COLOR / YEAR / MAKE / MODEL / BODY STYLE				101 OTHER CHARACTERISTICS / VIN NO.				

102 **DOMESTIC VIOLENCE** ( PC 13700, 13730) \* COMPLETE #70 & 71 ON FRONT PAGE

103 / RESPONDED TO A CALL INVOLVING A DOMESTIC INCIDENT:

Parties involved are described in 13700 (B) PC and

Incident was verbal only, no evidence of crime, physical violence or traumatic condition existed. (brief narrative required) or

A misdemeanor ( \_\_\_\_\_ PC) occurred and no prosecution was desired by any involved party.

A felony  A misdemeanor arrest was made for ( \_\_\_\_\_ PC)

104 **RELATIONSHIP OF PARTIES**

SPOUSES  FORMER SPOUSES

DATING/ ENGAGED  FORMER DATING

COHABITANTS  FORMER COHABITANT

PARENTS OF CHILD FROM RELATIONSHIP

105 # OF PRIOR RESPONSES? \_\_\_\_\_ ALCOHOL/DRUG USE BY ABUSER?  Yes  No

106 **BICYCLE INFORMATION**

107  STOLEN  LOST (Safekeeping, Found, Recovered, Evidence, use Property / Evidence Report)

108  Boys  ATB  Road  Hybrid  Girls  Juv.  BMX  Cruiser

109 COLOR 110 MAKE / MODEL 111 FRAME SIZE 112 WHEEL SIZE 113 GEARS 114 SERIAL NUMBER

115 LICENSE NO. / CITY 116 ADDITIONAL EQUIPMENT OR IDENTIFYING CHARACTERISTICS 117 VALUE

118 **NARRATIVE** If crime report, include brief description below (establishing elements of crime.) Use Narrative Report for details of crime. List stolen / lost property (use format below.) Enter total value/dollar loss on #69. All suspect information on Suspect Report.

119 **PROPERTY CLASSIFICATION CODES**

SP - STOLEN PROPERTY LP - LOST PROPERTY	A - CURRENCY / NOTES B - JEWELRY / PRECIOUS METALS C - CLOTHING / FURS	D - VEHICLE E - OFFICE EQUIPMENT F - ELECTRONIC EQUIPMENT	G - FIREARMS H - HOUSEHOLD GOODS I - CONSUMABLE GOODS	J - LIVESTOCK K - MISCELLANEOUS
--	--	---	---	------------------------------------

120 CODE	121 ITEM	122 QTY.	123 ITEM NAME	124 BRAND / MAKE MANUFACTURER	125 MODEL / NAME OR NUMBER	126 MISC. DESCRIPTION	127 IDENTIFICATION / SERIAL NUMBER	128 VALUE	
			ON 02-02-98, AT ABOUT 0437 HRS., DEP. CLARK AND I WERE ON UNIFORMED PATROL AS "3D11". WE RESPONDED TO THE COUNTRY INN OF CAMARILLO REFERENCE A "CODE 999" (OFFICER NEEDS ASSISTANCE). UPON OUR ARRIVAL, I OBSERVED DEP. KENSMAN AND TORPEY AT THE REAR OF THE MOTEL ASSISTING A MALE SUBJECT IN THE DRIVER'S SEAT OF A GREEN FORD PICK-UP. THE SUBJECT APPEARED UNRESPONSIVE.						
			FIRE AND AMBULANCE RESPONDED TO THE SCENE TO TREAT THE SUBJECT FOR ANY POSSIBLE INJURIES. PRIOR TO REMOVING THE SUBJECT FROM THE TRUCK, I TOOK PHOTOGRAPHS OF HIM AS HE SAT ON THE DRIVER'S SEAT. I ALSO TOOK PHOTOS OF THE INSIDE OF THE TRUCK AND IT'S IMMEDIATE AREA.						
			B.I. TECHNICIAN [REDACTED] ARRIVED AND I GAVE HIM THE FILM TO BOOK AS EVIDENCE. REFER TO THE ADDITIONAL REPORTS FOR FURTHER INFORMATION.						



CRIME / INCIDENT REPORT

VENTURA COUNTY SHERIFF'S DEPARTMENT

AGENCY IDENTIFIER CA0560000

1 CONNECTING REPORT NUMBERS				2 R.D. 8050		3 BEAT 8A01		4 RB NUMBER 98-10973															
5 <input type="checkbox"/> CRIME <input type="checkbox"/> INCIDENT <input checked="" type="checkbox"/> SUPPLEMENTAL					6 <input type="checkbox"/> DOMESTIC <input type="checkbox"/> CHILD ABUSE <input type="checkbox"/> HATE <input type="checkbox"/> GANG <input type="checkbox"/> ELDERLY ABUSE <input type="checkbox"/>																		
7 CODE SECTION / DESCRIPTION (INCIDENT) 245 PC / 10851				8 CLASS. <input type="checkbox"/> Misd. <input checked="" type="checkbox"/> Fel.		9 CODE SECTION / DESCRIPTION ( <input type="checkbox"/> Reclassify To)				10 CLASS. <input type="checkbox"/> Misd. <input type="checkbox"/> Fel.													
11 CODE SECTION / DESCRIPTION (INCIDENT)				12 CLASS. <input type="checkbox"/> Misd. <input type="checkbox"/> Fel.		13 CODE SECTION / DESCRIPTION ( <input type="checkbox"/> Reclassify To)				14 CLASS. <input type="checkbox"/> Misd. <input type="checkbox"/> Fel.													
15 OCCURRED FROM			MO. DAY YR. 2   2   98		TIME 0421		16 DOW MON		17 OCCURRED TO			MO. DAY YR. 2   2   98		TIME 0437		18 DOW MON							
19 LOCATION OF OFFENSE / INCIDENT				ADDRESS 1405 DEL NORTE AVE. (COUNTRY INN)				CITY CAMARILLO				STATE CA		ZIP 92010									
20 CODE		V VICTIM		W WITNESS		R REPORTING PARTY		F FINDER		O OWNER		P PARTY											
21 CODE A-1		22 NAME (Last, First, Middle, Gen.) / FIRM NAME REYNOLDS, JEFF				AKA / Moniker		RACE		SEX		25 HT		26 WT		27 HAIR		28 EYES		29 DOB		30 AGE	
31 RESIDENCE ADDRESS / ( <input type="checkbox"/> Same as Box # )						CITY		STATE		ZIP		32 RESIDENCE PHONE ( )											
33 BUSINESS / SCHOOL NAME				ADDRESS / ( <input type="checkbox"/> Same as Box # )				CITY		STATE		ZIP		34 BUSINESS PHONE ( )									
35 OCCUPATION ( <input type="checkbox"/> STUDENT)				36 DAYS OFF		37 WORK HRS		38 INTERPRETER		39 OPERATOR'S LIC. NO. / STATE UNKNOWN													
40 VEH. LIC. NO. / STATE		41 VEH. COLOR / YEAR / MAKE / MODEL / BODY STYLE		NONE		GREEN UNKNOWN P/U TRUCK		42 OTHER CHARACTERISTICS / VIN NO.															
43 CODE		44 NAME (Last, First, Middle, Gen.) / FIRM NAME				AKA / Moniker		RACE		SEX		47 HT		48 WT		49 HAIR		50 EYES		51 DOB		52 AGE	
53 RESIDENCE ADDRESS / ( <input type="checkbox"/> Same as Box # )						CITY		STATE		ZIP		54 RESIDENCE PHONE ( )											
55 BUSINESS / SCHOOL NAME				ADDRESS / ( <input type="checkbox"/> Same as Box # )				CITY		STATE		ZIP		56 BUSINESS PHONE ( )									
57 OCCUPATION ( <input type="checkbox"/> STUDENT)				58 DAYS OFF		59 WORK HRS		60 INTERPRETER		61 OPERATOR'S LIC. NO. / STATE													
62 VEH. LIC. NO. / STATE		63 VEH. COLOR / YEAR / MAKE / MODEL / BODY STYLE		64 OTHER CHARACTERISTICS / VIN NO.																			
65 ARSON		66 BURGLARY		68 THEFT		70 FORCE / WEAPON		72 SPECIAL INTEREST (Copy to Agency/Unit)															
<input type="checkbox"/> Single Fam. Resd.		<input type="checkbox"/> Residential		<input type="checkbox"/> Auto Parts		<input type="checkbox"/> No Force		<input type="checkbox"/> Domestic Violence															
<input type="checkbox"/> Inhabited		<input type="checkbox"/> Vehicle		<input type="checkbox"/> Bicycle		<input type="checkbox"/> No Weapon		<input type="checkbox"/> Sex Crime															
<input type="checkbox"/> Uninhabited		<input type="checkbox"/> Commercial		<input type="checkbox"/> From Bldg.		<input type="checkbox"/> Verbal Only		<input type="checkbox"/> Child Abuse <input type="checkbox"/> PSSA															
<input type="checkbox"/> Storage		<input type="checkbox"/> Other		<input type="checkbox"/> Coin Machine		<input type="checkbox"/> Attempt Only		<input type="checkbox"/> Gang Related															
<input type="checkbox"/> Industrial				<input type="checkbox"/> From Person		<input type="checkbox"/> Great Bodily Injury		<input type="checkbox"/> Hate Crime															
<input type="checkbox"/> Commercial				<input type="checkbox"/> From Vehicle		<input type="checkbox"/> Firearm		<input type="checkbox"/> Agricultural															
<input type="checkbox"/> Other Structure		67 ROBBERY		<input type="checkbox"/> Purse Snatch		<input type="checkbox"/> Knife		<input type="checkbox"/> Probation <input type="checkbox"/> Parole															
<input type="checkbox"/> Public Place		<input type="checkbox"/> Bank		<input type="checkbox"/> Shoplift		<input type="checkbox"/> Hands/Fists/Feet		<input type="checkbox"/> Other															
<input type="checkbox"/> Vehicle		<input type="checkbox"/> Chain Store		<input type="checkbox"/> Other		<input type="checkbox"/> Other																	
<input type="checkbox"/> Unlawful Fire		<input type="checkbox"/> Commercial																					
<input type="checkbox"/> Forest		<input type="checkbox"/> Gas Station																					
<input type="checkbox"/> Injury Occurred		<input type="checkbox"/> Highway																					
<input type="checkbox"/> Other		<input type="checkbox"/> Residence																					
		<input type="checkbox"/> Other																					
				69 VALUE / DOLLAR LOSS		71 DOMESTIC VIOLENCE / SEX / HATE CRIMES																	
				\$		<input type="checkbox"/> D.V. and/or S. A. Pamphlet given to: <input type="checkbox"/> Victim <input type="checkbox"/> P-1 <input type="checkbox"/> P-2																	
				VALUE / DAMAGE LOSS		<input type="checkbox"/> Pursuant to Sec. 6254 G.C., victim of D.V., Sex or Hate Crime requests their name be withheld from the public. <input type="checkbox"/> YES <input type="checkbox"/> NO																	
				\$																			
73 DATE AND TIME REPORTED 2-2-98 / 0437				74 DATE / TIME OF REPORT 2-2-98 / 0850				75 REPORTING OFFICER / ID NO. / DIV. / UNIT D.F. SMITH 2905 WCP.S. CAM				76 APPROVED BY ID NO. [Signature]											
77 COPIES TO <input type="checkbox"/> DET/MC <input type="checkbox"/> MARC <input type="checkbox"/> GANG/SED <input type="checkbox"/> STATS <input type="checkbox"/> PRESS <input type="checkbox"/> DOJ <input type="checkbox"/> COURT <input type="checkbox"/> OTHER																							



**NARRATIVE REPORT VENTURA COUNTY SHERIFF'S DEPARTMENT**

Page 3 of 3  Continuation

AGENCY IDENTIFIER CA0560000

1 R.D. 8050	2 BEAT 8A01	3 RB NUMBER 98-10973
----------------	----------------	-------------------------

4 CODE	5 ITEM	6 QTY.	7 ITEM NAME	8 BRAND / MAKE MANUFACTURER	9 MODEL NAME OR NUMBER	10 MISC. DESCRIPTION	11 IDENTIFICATION / SERIAL NUMBER	12 VALUE
--------	--------	--------	-------------	-----------------------------	------------------------	----------------------	-----------------------------------	----------

**NARRATIVE REPORT**

ON 2-2-98 SENIOR DEPUTY CARGILE #1934 AND I WERE ASSIGNED TO THE 3C2 AREA OF CAMARILLO WHEN WE HEARD DEPUTY TORPEY #2745 BROADCAST OVER THE POLICE RADIO "CODE 999". HE WAS ADVISING SHERIFF'S DISPATCH THAT HE HAD BEEN IN AN OFFICER INVOLVED SHOOTING. DEPUTY TORPEY WAS IN THE REAR PARKING LOT AT THE COUNTRY INN IN CAMARILLO.

UPON ARRIVAL WE COULD SEE THAT ALONG WITH DEPUTY TORPEY, DEPUTIES HARA #2508 AND LOES #2941 WERE ALSO PRESENT. JUST BEFORE WE ARRIVED, DEPUTIES KENEMAN #2783 AND HANDY, WHO WERE WORKING THE 3C1 BEAT, HAD ARRIVED AND WERE ASSISTING. I COULD SEE THAT THERE WAS SUFFICIENT PERSONNEL TO HANDLE THE IMMEDIATE SCENE, SO I USED BARRIER TAPE TO BLOCK THE WEST ENTRANCE TO THE REAR PARKING LOT SO THAT THE SCENE COULD BE PRESERVED. I ALSO TAPED THE GLASS DOORS THAT LEAD FROM THE INSIDE OF THE HOTEL INTO THE REAR PARKING LOT WITH BARRIER TAPE. OTHER DEPUTIES THAT HAD ARRIVED TAPED THE PARKING LOT ENTRANCE ON THE EAST SIDE.

I THEN STARTED AN INCIDENT SCENE LOG, WRITING DOWN THE NAMES OF THE PERSONNEL PRESENT AND THE TIMES THAT THEY ARRIVED. THAT LOG WAS EVENTUALLY GIVEN TO SENIOR DEPUTY TIFFANY #1645 WHEN HE TOOK OVER LOGGING IN THE PERSONNEL PRESENT.

WHILE I WAS TAKING CARE OF THE LOG, I COULD SEE THAT THE VENTURA COUNTY FIRE DEPARTMENT AND THE AMBULANCE COMPANY HAD ARRIVED ON SCENE AND WAS PREPARING TO TRANSPORT A-1 REYNOLDS TO THE PLEASANT VALLEY HOSPITAL IN CAMARILLO. I WAS RELIEVED OF MY DUTIES BY SR. DEPUTY TIFFANY AT ABOUT 0730 HOURS.

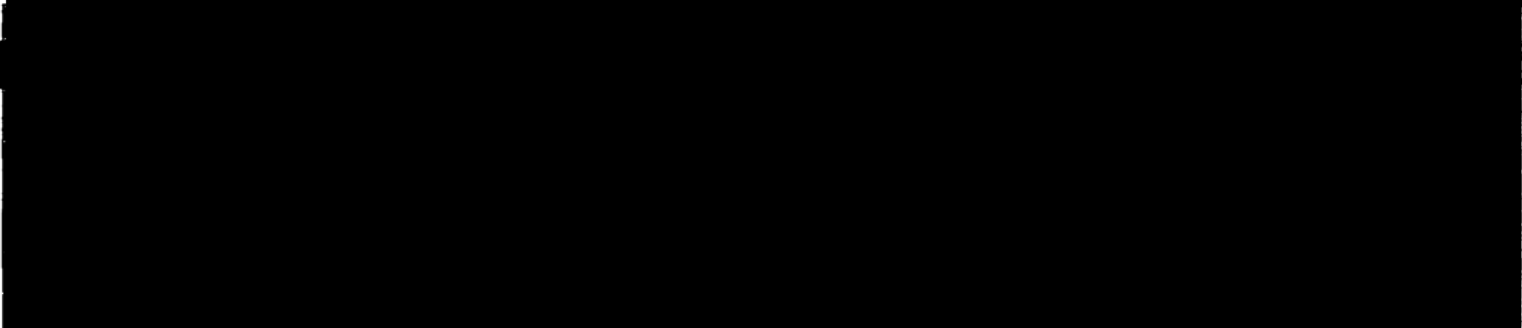
13 DATE / TIME OF REPORT 2-2-98 / 0934	14 REPORTING OFFICER / ID NO / DIV / UNIT D.F. SMITH 2905 WCPD - CAM	15 APPROVED BY / ID NO Sgt. [Signature] 1490 WCPD
---	---	--



ADDITIONAL NAMES  
REPORT

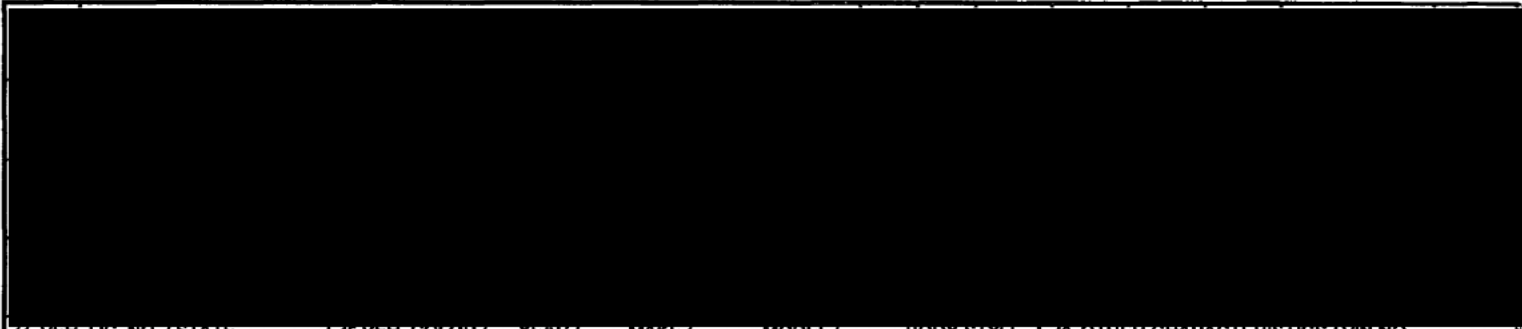
VENTURA COUNTY SHERIFF'S DEPARTMENT  
AGENCY IDENTIFIER CA0560000

Page 1 of 4 1 RB NUMBER  
98-109-13



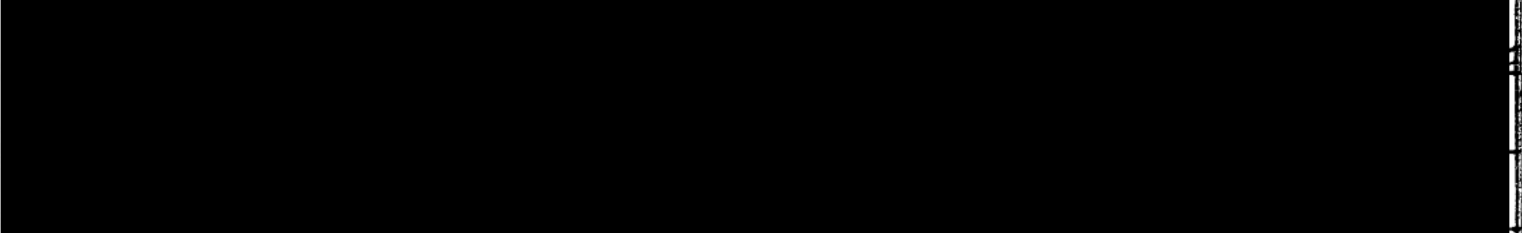
21 VEH. LIC. NO. / STATE	22 VEH. COLOR / YEAR / MAKE / MODEL / BODY STYLE	23 OTHER CHARACTERISTICS / VIN NO.
--------------------------	--	------------------------------------

24 COMMENTS:



44 VEH. LIC. NO. / STATE	45 VEH. COLOR / YEAR / MAKE / MODEL / BODY STYLE	46 OTHER CHARACTERISTICS / VIN NO.
--------------------------	--	------------------------------------

COMMENTS:



62 OCCUPATION ( <input type="checkbox"/> STUDENT )	63 DAYS OFF	64 WORK HRS.	65 INTERPRETER	66 OPERATOR'S LIC. NO. / STATE
--	-------------	--------------	----------------	--------------------------------

67 VEH. LIC. NO. / STATE	68 VEH. COLOR / YEAR / MAKE / MODEL / BODY STYLE	69 OTHER CHARACTERISTICS / VIN NO.
--------------------------	--	------------------------------------

70 COMMENTS:



83 BUSINESS / SCHOOL NAME	ADDRESS / ( <input type="checkbox"/> Same as Box # _____ )	CITY	STATE	ZIP	84 BUSINESS PHONE
---------------------------	--	------	-------	-----	-------------------

85 OCCUPATION ( <input type="checkbox"/> STUDENT )	86 DAYS OFF	87 WORK HRS.	88 INTERPRETER	89 OPERATOR'S LIC. NO. / STATE
--	-------------	--------------	----------------	--------------------------------

90 VEH. LIC. NO. / STATE	91 VEH. COLOR / YEAR / MAKE / MODEL / BODY STYLE	92 OTHER CHARACTERISTICS / VIN NO.
--------------------------	--	------------------------------------

93 COMMENTS:

94 DATE / TIME OF REPORT	95 REPORTING OFFICER / ID NO. / DIV. / UNIT	96 APPROVED BY / ID NO.
--------------------------	---	-------------------------

ADDITIONAL NAMES  
REPORT

VENTURA COUNTY SHERIFF'S DEPARTMENT  
AGENCY IDENTIFIER CA0560000

Page 2 of 4

1 RB NUMBER  
98-10973



16 OCCUPATION (I, STUDENT) <u>NONE</u>	17 DAYS OFF <u>—</u>	18 WORK HRS. <u>—</u>	19 INTERPRETER <u>—</u>	20 OPERATOR'S LIC. NO. / STATE <u>UNKNOWN</u>
---	-------------------------	--------------------------	----------------------------	--

21 VEH. LIC. NO. / STATE <u>—</u>	22 VEH. COLOR / YEAR / MAKE / MODEL / BODY STYLE <u>—</u>	23 OTHER CHARACTERISTICS / VIN NO. <u>—</u>
--------------------------------------	--	--

24 COMMENTS:



44 VEH. LIC. NO. / STATE <u>—</u>	45 VEH. COLOR / YEAR / MAKE / MODEL / BODY STYLE <u>—</u>	46 OTHER CHARACTERISTICS / VIN NO. <u>—</u>
--------------------------------------	--	--

47 COMMENTS:



67 VEH. LIC. NO. / STATE <u>—</u>	68 VEH. COLOR / YEAR / MAKE / MODEL / BODY STYLE <u>—</u>	69 OTHER CHARACTERISTICS / VIN NO. <u>—</u>
--------------------------------------	--	--

70 COMMENTS:



90 VEH. LIC. NO. / STATE <u>—</u>	91 VEH. COLOR / YEAR / MAKE / MODEL / BODY STYLE <u>—</u>	92 OTHER CHARACTERISTICS / VIN NO. <u>—</u>
--------------------------------------	--	--

93 COMMENTS:

94 DATE / TIME OF REPORT <u>2-2-98 / 0900</u>	95 REPORTING OFFICER / ID NO. / DIV. / UNIT <u>BECKETT / 2730 / W.C.P.S.</u>	96 APPROVED BY / ID NO. <u>[Signature]</u>
--	---	---

ADDITIONAL NAMES  
REPORT

VENTURA COUNTY SHERIFF'S DEPARTMENT  
AGENCY IDENTIFIER CA0560000

Page 3 of 4

1 RB NUMBER  
98-10973

21 VEH. LIC. NO. / STATE	22 VEH. COLOR /	YEAR /	MAKE /	MODEL /	BODY STYLE	23 OTHER CHARACTERISTICS / VIN NO.
—	—	—	—	—	—	—

24 COMMENTS:

44 VEH. LIC. NO. / STATE	45 VEH. COLOR /	YEAR /	MAKE /	MODEL /	BODY STYLE	46 OTHER CHARACTERISTICS / VIN NO.
—	—	—	—	—	—	—

COMMENTS:

67 VEH. LIC. NO. / STATE	68 VEH. COLOR /	YEAR /	MAKE /	MODEL /	BODY STYLE	69 OTHER CHARACTERISTICS / VIN NO.
—	—	—	—	—	—	—

70 COMMENTS:

85 OCCUPATION ( <input type="checkbox"/> STUDENT )	86 DAYS OFF	87 WORK HRS.	88 INTERPRETER	89 OPERATOR'S LIC. NO. / STATE
NONE	—	—	—	UNKNOWN

90 VEH. LIC. NO. / STATE	91 VEH. COLOR /	YEAR /	MAKE /	MODEL /	BODY STYLE	92 OTHER CHARACTERISTICS / VIN NO.
—	—	—	—	—	—	—

93 COMMENTS:

94 DATE / TIME OF REPORT	95 REPORTING OFFICER / ID NO. / DIV. / UNIT	96 APPROVED BY / ID NO.
2-2-98 / 0900	BECKER / 2730 / WCP.S	[Signature]



ADDITIONAL NAMES  
REPORT

VENTURA COUNTY SHERIFF'S DEPARTMENT  
AGENCY IDENTIFIER CA0560000

Page 4 of 4

1 RB NUMBER  
98-10973

16 OCCUPATION ( <input type="checkbox"/> STUDENT )	17 DAYS OFF	18 WORK HRS.	19 INTERPRETER	20 OPERATOR'S LIC. NO. / STATE
NONE	—	—	—	UNKNOWN
21 VEH. LIC. NO. / STATE	22 VEH. COLOR / YEAR / MAKE / MODEL / BODY STYLE	23 OTHER CHARACTERISTICS / VIN NO.		
—	—	—		
24 COMMENTS:				

CODE 25	26 NAME (Last, First, Middle, Gen.) / FIRM NAME	AKA / Moniker	RACE 27	SEX 28	29 HT	30 WT	31 HAIR	32 EYES	33 DOB	34 AGE
35 RESIDENCE ADDRESS / ( <input type="checkbox"/> Same as Box # _____ )		CITY	STATE	ZIP	36 RESIDENCE PHONE ( )					
37 BUSINESS / SCHOOL NAME ADDRESS / ( <input type="checkbox"/> Same as Box # _____ )		CITY	STATE	ZIP	38 BUSINESS PHONE ( )					
39 OCCUPATION ( <input type="checkbox"/> STUDENT )	40 DAYS OFF	41 WORK HRS.	42 INTERPRETER	43 OPERATOR'S LIC. NO. / STATE						
44 VEH. LIC. NO. / STATE	45 VEH. COLOR / YEAR / MAKE / MODEL / BODY STYLE	46 OTHER CHARACTERISTICS / VIN NO.								
47 COMMENTS:										

CODE 48	49 NAME (Last, First, Middle, Gen.) / FIRM NAME	AKA / Moniker	RACE 50	SEX 51	52 HT	53 WT	54 HAIR	55 EYES	56 DOB	57 AGE
58 RESIDENCE ADDRESS / ( <input type="checkbox"/> Same as Box # _____ )		CITY	STATE	ZIP	59 RESIDENCE PHONE ( )					
60 BUSINESS / SCHOOL NAME ADDRESS / ( <input type="checkbox"/> Same as Box # _____ )		CITY	STATE	ZIP	61 BUSINESS PHONE ( )					
62 OCCUPATION ( <input type="checkbox"/> STUDENT )	63 DAYS OFF	64 WORK HRS.	65 INTERPRETER	66 OPERATOR'S LIC. NO. / STATE						
67 VEH. LIC. NO. / STATE	68 VEH. COLOR / YEAR / MAKE / MODEL / BODY STYLE	69 OTHER CHARACTERISTICS / VIN NO.								
70 COMMENTS:										

CODE 71	72 NAME (Last, First, Middle, Gen.) / FIRM NAME	AKA / Moniker	RACE 73	SEX 74	75 HT	76 WT	77 HAIR	78 EYES	79 DOB	80 AGE
81 RESIDENCE ADDRESS / ( <input type="checkbox"/> Same as Box # _____ )		CITY	STATE	ZIP	82 RESIDENCE PHONE ( )					
83 BUSINESS / SCHOOL NAME ADDRESS / ( <input type="checkbox"/> Same as Box # _____ )		CITY	STATE	ZIP	84 BUSINESS PHONE ( )					
85 OCCUPATION ( <input type="checkbox"/> STUDENT )	86 DAYS OFF	87 WORK HRS.	88 INTERPRETER	89 OPERATOR'S LIC. NO. / STATE						
90 VEH. LIC. NO. / STATE	91 VEH. COLOR / YEAR / MAKE / MODEL / BODY STYLE	92 OTHER CHARACTERISTICS / VIN NO.								
93 COMMENTS:										

94 DATE / TIME OF REPORT 2-2-98 / 1100	95 REPORTING OFFICER / ID NO. / DIV. / UNIT BECKETT / 0730 / W.C.P.S.	96 APPROVED BY / ID NO. [Signature]
---	--	--

CRIME / INCIDENT REPORT

VENTURA COUNTY SHERIFF'S DEPARTMENT  
AGENCY IDENTIFIER CA0560000

1 CONNECTING REPORT NUMBERS		2 R.D. 2050	3 BEAT 3A	4 RB NUMBER 98-10973	
5 <input type="checkbox"/> CRIME <input type="checkbox"/> INCIDENT <input checked="" type="checkbox"/> SUPPLEMENTAL		6 <input type="checkbox"/> DOMESTIC <input type="checkbox"/> CHILD ABUSE <input type="checkbox"/> HATE <input type="checkbox"/> GANG <input type="checkbox"/> ELDERLY ABUSE			
7 CODE SECTION / DESCRIPTION (INCIDENT) 245 PC / ADW		8 CLASS. <input type="checkbox"/> Misd. <input checked="" type="checkbox"/> Fel.	9 CODE SECTION / DESCRIPTION ( <input type="checkbox"/> Reclassify To)		
11 CODE SECTION / DESCRIPTION (INCIDENT)		12 CLASS. <input type="checkbox"/> Misd. <input type="checkbox"/> Fel.	13 CODE SECTION / DESCRIPTION ( <input type="checkbox"/> Reclassify To)		
15 OCCURRED FROM	MO. DAY YR. TIME 2   2   98   0437	16 DOW MON	17 OCCURRED TO	18 DOW	
19 LOCATION OF OFFENSE / INCIDENT ADDRESS CITY STATE ZIP 1405 DEL NORTE RD. CAMBRIDGE, CA 93010					
20 CODE: V - VICTIM W - WITNESS R - REPORTING PARTY F - FINDER O - OWNER P - PARTY					
21-23 [REDACTED]					
24 VEH. LIC. NO. / STATE		41 VEH. COLOR / YEAR / MAKE / MODEL / BODY STYLE		42 OTHER CHARACTERISTICS / VIN NO.	
43 CODE	44 NAME (Last, First, Middle, Gen.) / FIRM NAME	AKA / Moniker	RACE 45 SEX 46 HT 47 WT 48 HAIR 49 EYES 50 DOB 51 AGE 52		
53 RESIDENCE ADDRESS / ( <input type="checkbox"/> Same as Box # )			CITY STATE ZIP	54 RESIDENCE PHONE ( )	
55 BUSINESS / SCHOOL NAME ADDRESS / ( <input type="checkbox"/> Same as Box # )			CITY STATE ZIP	56 BUSINESS PHONE ( )	
57 OCCUPATION ( <input type="checkbox"/> STUDENT)		58 DAYS OFF	59 WORK HRS	60 INTERPRETER 61 OPERATOR'S LIC. NO. / STATE	
62 VEH. LIC. NO. / STATE		63 VEH. COLOR / YEAR / MAKE / MODEL / BODY STYLE		64 OTHER CHARACTERISTICS / VIN NO.	
65 ARSON <input type="checkbox"/> Single Fam. Resd. <input type="checkbox"/> Inhabited <input type="checkbox"/> Uninhabited <input type="checkbox"/> Storage <input type="checkbox"/> Industrial <input type="checkbox"/> Commercial <input type="checkbox"/> Other Structure <input type="checkbox"/> Public Place <input type="checkbox"/> Vehicle <input type="checkbox"/> Unlawful Fire <input type="checkbox"/> Forest <input type="checkbox"/> Injury Occurred <input type="checkbox"/> Other		66 BURGLARY <input type="checkbox"/> Residential <input type="checkbox"/> Vehicle <input type="checkbox"/> Commercial <input type="checkbox"/> Other  67 ROBBERY <input type="checkbox"/> Bank <input type="checkbox"/> Chain Store <input type="checkbox"/> Commercial <input type="checkbox"/> Gas Station <input type="checkbox"/> Highway <input type="checkbox"/> Residence <input type="checkbox"/> Other		68 THEFT <input type="checkbox"/> Auto Parts <input type="checkbox"/> Bicycle <input type="checkbox"/> From Bldg. <input type="checkbox"/> Coin Machine <input type="checkbox"/> From Person <input type="checkbox"/> From Vehicle <input type="checkbox"/> Purse Snatch <input type="checkbox"/> Shoplift <input type="checkbox"/> Other  69 VALUE / DOLLAR LOSS \$ VALUE / DAMAGE LOSS \$	
70 FORCE / WEAPON <input type="checkbox"/> No Force <input type="checkbox"/> No Weapon <input type="checkbox"/> Verbal Only <input type="checkbox"/> Attempt Only <input type="checkbox"/> Great Bodily Injury <input type="checkbox"/> Firearm <input type="checkbox"/> Knife <input type="checkbox"/> Hands/Fists/Feet <input type="checkbox"/> Other		72 SPECIAL INTEREST (Copy to Agency/Unit) <input type="checkbox"/> Domestic Violence <input type="checkbox"/> Sex Crime <input type="checkbox"/> Child Abuse <input type="checkbox"/> PSSA <input type="checkbox"/> Gang Related <input type="checkbox"/> Hate Crime <input type="checkbox"/> Agricultural <input type="checkbox"/> Probation <input type="checkbox"/> Parole <input type="checkbox"/> Other			
71 DOMESTIC VIOLENCE / SEX / HATE CRIMES <input type="checkbox"/> D.V. and/or S. A. Pamphlet given to: <input type="checkbox"/> Victim <input type="checkbox"/> P-1 <input type="checkbox"/> P-2 <input type="checkbox"/> Pursuant to Sec. 6254 G.C., victim of D.V., Sex or Hate Crime requests their name be withheld from the public. <input type="checkbox"/> YES <input type="checkbox"/> NO					
73 DATE AND TIME REPORTED 2-2-98 0437		74 DATE / TIME OF REPORT 2-2-98 1000		75 REPORTING OFFICER / ID NO. / DIV / UNIT J. DESOTO 2389 WCP, H&W	
76 APPROVED BY / ID NO. <i>[Signature]</i> 01974				77 COPIES TO <input type="checkbox"/> DET / MC <input type="checkbox"/> NARC <input type="checkbox"/> GANG / SED <input type="checkbox"/> STATS <input type="checkbox"/> PRESS <input type="checkbox"/> DOJ <input type="checkbox"/> COURT <input type="checkbox"/> OTHER	

78 RB NUMBER  
 98-10973

79 **ADDITIONAL NAME** (Complete Front Page First)

81 NAME (Last, First, Middle, Gen.) / FIRM NAME AKA / Moniker RACE 82 SEX 83 HT 84 WT 85 HAIR 86 EYES 87 DOB 88 AGE

90 RESIDENCE ADDRESS / (  Same as Box ) CITY STATE ZIP 91 RESIDENCE PHONE ( )

92 BUSINESS / SCHOOL NAME ADDRESS / (  Same as Box ) CITY STATE ZIP 93 BUSINESS PHONE ( )

94 OCCUPATION (  STUDENT ) 95 DAYS OFF 96 WORK HRS 97 INTERPRETER 98 OPERATOR'S LIC. NO. / STATE

99 VEHICLE LIC. NO. / STATE 100 VEH. COLOR / YEAR / MAKE / MODEL / BODY STYLE 101 OTHER CHARACTERISTICS / VIN NO.

102 **DOMESTIC VIOLENCE** ( PC 13700, 13730 ) \* COMPLETE #70 & 71 ON FRONT PAGE

103 RESPONDED TO A CALL INVOLVING A DOMESTIC INCIDENT:  
 Parties involved are described in 13700 (B) PC and  
 Incident was verbal only, no evidence of crime, physical violence or traumatic condition existed. (brief narrative required) or  
 A misdemeanor ( PC ) occurred and no prosecution was desired by any involved party.  
 A felony  A misdemeanor arrest was made for ( PC )

104 RELATIONSHIP OF PARTIES  
 SPOUSES  FORMER SPOUSES  
 DATING/ ENGAGED  FORMER DATING  
 COHABITANTS  FORMER COHABITANT  
 PARENTS OF CHILD FROM RELATIONSHIP

105 # OF PRIOR RESPONSES? ALCOHOL/DRUG USE BY ABUSER?  Yes  No

106 **BICYCLE INFORMATION** 107  STOLEN  LOST (Safekeeping, Found, Recovered, Evidence, use Property / Evidence Report)

108  Boys  ATB  Road  Hybrid  Girls  Juv.  BMX  Cruiser 109 COLOR 110 MAKE / MODEL 111 FRAME SIZE 112 WHEEL SIZE 113 GEARS 114 SERIAL NUMBER

115 LICENSE NO. / CITY 116 ADDITIONAL EQUIPMENT OR IDENTIFYING CHARACTERISTICS 117 VALUE

**NARRATIVE** If crime report, include brief description below (establishing elements of crime.) Use Narrative Report for details of crime. List stolen / lost property (use format below.) Enter total value/dollar loss on #69. All suspect information on Suspect Report.

**PROPERTY CLASSIFICATION CODES**  
 SP - STOLEN PROPERTY  
 LP - LOST PROPERTY

**PROPERTY CODES**  
 A - CURRENCY / NOTES  
 B - JEWELRY / PRECIOUS METALS  
 C - CLOTHING / FURS  
 D - VEHICLE  
 E - OFFICE EQUIPMENT  
 F - ELECTRONIC EQUIPMENT  
 G - FIREARMS  
 H - HOUSEHOLD GOODS  
 I - CONSUMABLE GOODS  
 J - LIVESTOCK  
 K - MISCELLANEOUS

120 CODE	121 ITEM	122 QTY.	123 ITEM NAME	124 BRAND / MAKE MANUFACTURER	125 MODEL / NAME OR NUMBER	126 MISC. DESCRIPTION	127 IDENTIFICATION / SERIAL NUMBER	128 VALUE	
			DN 2-2-98, AT ABOUT 0437 HRS., DEP. BECKETT AND I RESPONDED TO A "999" AT THE COUNTRY INN AT CARMEL. UPON OUR ARRIVAL, I SET UP CRIME SCENE TAPE AT THE EAST END OF THE PARKING LOT. I THEN INTERVIEWED W-1 [REDACTED] AT THE DIRECTION OF SR. DEP. CARGILE.						
			[REDACTED] TOLD ME THE FOLLOWING: ON 2-2-98, AT ABOUT 0400 HOURS, [REDACTED] WAS WORKING AT THE COUNTRY INN AS THE NIGHT AUDITOR. [REDACTED] WAS BEHIND THE FRONT DESK AND ON THE TELEPHONE WHEN SHE SAW A DARK GRAY PICK UP TRUCK PASS BY THE FRONT OF THE INN. THE TRUCK WENT FROM EAST TO WEST AS IT PALLEO THE HOTEL. MOMENTS LATER, THE SAME TRUCK DROVE THROUGH THE HOTEL'S REAR PARKING LOT IN A WEST TO EAST DIRECTION.						



NARRATIVE REPORT VENTURA COUNTY SHERIFF'S DEPARTMENT

Page 3 of 5

Continuation

AGENCY IDENTIFIER CA0560000

1 R.D. 805D	2 BEAT BA	3 RB NUMBER 98-10973
----------------	--------------	-------------------------

4 CODE	5 ITEM	6 QTY.	7 ITEM NAME	8 BRAND / MAKE MANUFACTURER	9 MODEL NAME OR NUMBER	10 MISC. DESCRIPTION	11 IDENTIFICATION / SERIAL NUMBER	12 VALUE	
			<p>[REDACTED] WAS STILL TALKING ON THE PHONE AND SHE PUT THE RECEIVER DOWN TO SEE WHERE THE TRUCK WENT.</p>						
			<p>[REDACTED] WENT TO THE REAR LOBBY AND SAW THE TRUCK PARKING IN A NORTH FACING SLOT. [REDACTED] WAS UNABLE TO SEE HOW MANY PEOPLE WERE IN THE TRUCK OR IF THE PERSON(S) INSIDE WERE MALE OR FEMALE.</p>						
			<p>[REDACTED] TALKED ON THE TELEPHONE FOR ABOUT ANOTHER TEN MINUTES AND SHE WENT TO SEE IF THE TRUCK WAS STILL PARKED BEHIND THE HOTEL. [REDACTED] SAID THE TRUCK WAS STILL PARKED IN THE SAME PARKING SLOT AND SHE CALLED AN UNDERCOVER SHERIFF TO MAKE SURE THE VEHICLE DID NOT BELONG TO THE SHERIFF'S DEPARTMENT.</p>						
			<p>[REDACTED] SAID THE PERSON SHE TRIED CALLING WAS "MARK" OR "BILL." [REDACTED] SAID SHE WAS UNABLE TO REACH THE UNDERCOVER DEPUTY SO SHE CALLED THE SHERIFF'S DEPARTMENT DISPATCH TO REPORT THE SUSPICIOUS VEHICLE. [REDACTED] SAID SHE ASKED FOR A DEPUTY TO DRIVE BY THE PARKING LOT BECAUSE THE TRUCK WAS UNKNOWN TO HER. [REDACTED] WAS ALSO CONCERNED BECAUSE THERE RECENTLY HAD BEEN INDECENT EXPOSURE INCIDENTS AT THE HOTEL. [REDACTED] MADE THE PHONE CALL TO DISPATCH AT ABOUT 0421 HOURS.</p>						
			<p>ABOUT FIVE TO TEN MINUTES LATER, [REDACTED] SAW TWO SHERIFF PATROL VEHICLES ARRIVED BOTH VEHICLES WENT INTO THE REAR PARKING LOT. ONE PATROL VEHICLE CAME FROM THE EAST AND THE OTHER VEHICLE CAME FROM THE WEST. [REDACTED] WENT TO THE REAR DOOR AND SAW THE TRUCK PARKED IN THE SAME PARKING SPACE. [REDACTED] SAW THREE.</p>						
13 DATE / TIME OF REPORT			14 REPORTING OFFICER / ID NO / DIV / UNIT				15 APPROVED BY / ID NO		
7/29/98 1000			J. DESOTO 2389 WCP, HQ				[Signature]		

NARRATIVE REPORT

VENTURA COUNTY SHERIFF'S DEPARTMENT  
 AGENCY IDENTIFIER CA0560000

(Continued)

Page 4 of 5

18 RB NUMBER  
 98-10973

DEPUTIES STANDING ON THE PASSENGER SIDE OF THE TRUCK. TWO DEPUTIES WERE IN UNIFORM AND THE THIRD DEPUTY WAS IN CIVILLIAN ATTIRE. [REDACTED] IDENTIFIED THE THIRD DEPUTY AS DEPUTY LOES. [REDACTED] SAID IT LOOKED LIKE THE DEPUTIES WERE SPEAKING WITH WHOEVER WAS IN THE VEHICLE.

[REDACTED] WENT BACK INTO THE MAIN LOBBY TO ANSWER THE PHONE. [REDACTED] GOT OFF THE PHONE AND A DEPUTY, WHO WAS OUTSIDE BY THE TRUCK, WENT INSIDE THE HOTEL AND SPOKE WITH [REDACTED] DID NOT KNOW THE NAME OF THE DEPUTY. [REDACTED] AND THE DEPUTY SPOKE IN THE REAR DOORWAY OF THE HOTEL. [REDACTED] WAS ABLE TO SEE THE TWO OTHER DEPUTIES STILL STANDING ON THE PASSENGER SIDE OF THE TRUCK. AFTER [REDACTED] TOLD THE DEPUTY WHAT SHE SAW, THE DEPUTY WENT BACK TOWARD THE TRUCK.

[REDACTED] WENT BACK BEHIND THE COUNTER. AT ABOUT FIVE TO TEN MINUTES LATER, [REDACTED] HEARD TWO GUN SHOTS, FOLLOWED BY MORE GUNSHOTS. [REDACTED] WAS UNSURE ON THE EXACT NUMBER OF GUNSHOTS THAT SHE HEARD. [REDACTED] AND W/3 [REDACTED] WENT TO THE BACKDOOR. [REDACTED] SAID THE TRUCK WAS STILL PARKED IN THE SAME PARKING SPACE. THE TRUCK HAD ITS LIGHTS ON (HEADLIGHTS AND TAILLIGHTS) AND IT LOOKED LIKE THE TRUCK WAS ON TOP OF THE CURB. [REDACTED] SAID THE FRONT END OF THE TRUCK WAS HIGHER THAN THE BACK END. [REDACTED] SAID THE TRUCK WAS NOT PREVIOUSLY PARKED IN THAT MANNER. [REDACTED] DID NOT REMEMBER WHERE THE DEPUTIES WERE AT THAT TIME.

NARRATIVE REPORT VENTURA COUNTY SHERIFF'S DEPARTMENT

Page 5 of 5

Continuation

AGENCY IDENTIFIER CA0560000

1 R.D. 2050 2 BEAT 8A 3 RB NUMBER 98-10973

4 CODE	5 ITEM	6 QTY.	7 ITEM NAME	8 BRAND / MAKE MANUFACTURER	9 MODEL NAME OR NUMBER	10 MISC. DESCRIPTION	11 IDENTIFICATION / SERIAL NUMBER	12 VALUE	
/	/		WENT BACK TO THE FRONT DESK TO ANSWER THE PHONE WHEN [REDACTED] RETURNED TO THE BACK DODGE THERE WAS A LOT MORE ACTIVITY, "VEHICLES," AND DEPUTIES. [REDACTED] DID NOT REMEMBER ANYTHING FURTHER REGARDING THE INCIDENT						
/	/								
/	/								
/	/								
/	/								
/	/								
/	/								
/	/								
/	/								
/	/								
/	/								
/	/								
/	/								
/	/								
/	/								
/	/								
/	/								
/	/								
/	/								
/	/								
/	/								
/	/								
/	/								
/	/								
/	/								

13 DATE / TIME OF REPORT 7-2-98 1000

14 REPORTING OFFICER / ID NO / DIV / UNIT J. OESOTO 23891 WCP, HQ

15 APPROVED BY / ID NO *[Signature]*



ADDITIONAL NAMES  
REPORT

VENTURA COUNTY SHERIFF'S DEPARTMENT  
AGENCY IDENTIFIER CA0560000

Page 1 of 2

1 RB NUMBER  
98-10973

21 VEH. LIC. NO. / STATE      22 VEH. COLOR / YEAR / MAKE / MODEL / BODY STYLE      23 OTHER CHARACTERISTICS / VIN NO.  
N/A      —      —

24 COMMENTS:  
Room # 131.

44 VEH. LIC. NO. / STATE      45 VEH. COLOR / YEAR / MAKE / MODEL / BODY STYLE      46 OTHER CHARACTERISTICS / VIN NO.  
N/A      —      —

COMMENTS:  
Room # 323

67 VEH. LIC. NO. / STATE      68 VEH. COLOR / YEAR / MAKE / MODEL / BODY STYLE      69 OTHER CHARACTERISTICS / VIN NO.  
N/A      —      —

70 COMMENTS:  
Room # 323

90 VEH. LIC. NO. / STATE      91 VEH. COLOR / YEAR / MAKE / MODEL / BODY STYLE      92 OTHER CHARACTERISTICS / VIN NO.  
N/A      —      —

93 COMMENTS:  
Room # 327

94 DATE / TIME OF REPORT  
2/2/98 / 1000

95 REPORTING OFFICER / ID NO. / DIV. / UNIT  
R. CLARK #2861 / WCP / HOP

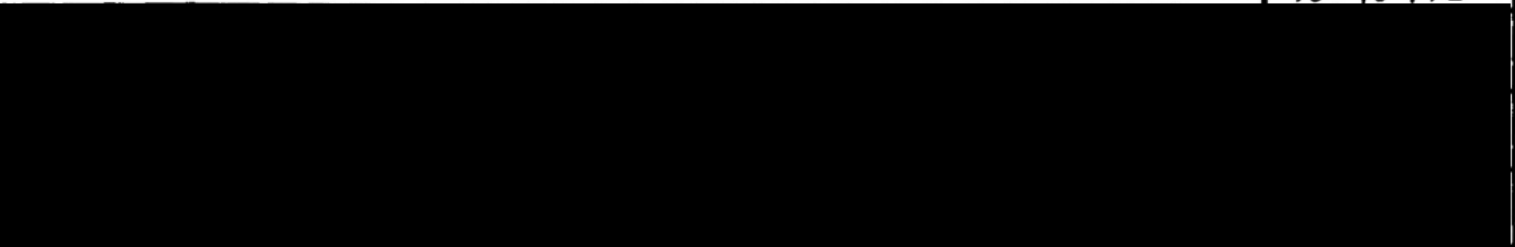
96 APPROVED BY / ID NO.  
[Signature] #0997

ADDITIONAL NAMES  
REPORT

VENTURA COUNTY SHERIFF'S DEPARTMENT  
AGENCY IDENTIFIER CA0560000

Page 2 of 2

1 RB NUMBER  
98-10973



16 OCCUPATION ( <input type="checkbox"/> STUDENT)	17 DAYS OFF	18 WORK HRS.	19 INTERPRETER	20 OPERATOR'S LIC. NO. / STATE
—	—	—	NONE	—
21 VEH. LIC. NO. / STATE	22 VEH. COLOR / YEAR / MAKE / MODEL / BODY STYLE	23 OTHER CHARACTERISTICS / VIN NO.		
N/A	—	—		
24 COMMENTS: ROOM # 307.				



38 OCCUPATION ( <input type="checkbox"/> STUDENT)	40 DAYS OFF	41 WORK HRS.	42 INTERPRETER	43 OPERATOR'S LIC. NO. / STATE
—	—	—	NONE	UNKNOWN
44 VEH. LIC. NO. / STATE	45 VEH. COLOR / YEAR / MAKE / MODEL / BODY STYLE	46 OTHER CHARACTERISTICS / VIN NO.		
N/A	—	—		
47 COMMENTS: ROOM # 307.				

48 CODE	49 NAME (Last, First, Middle, Gen.) / FIRM NAME	AKA / Moniker	RACE 50	SEX 51	52 HT	53 WT	54 HAIR	55 EYES	56 DOB	57 AGE
58 RESIDENCE ADDRESS / ( <input type="checkbox"/> Same as Box # _____)			CITY	STATE	ZIP	59 RESIDENCE PHONE ( )				
60 BUSINESS / SCHOOL NAME			ADDRESS / ( <input type="checkbox"/> Same as Box # _____)	CITY	STATE	ZIP	61 BUSINESS PHONE ( )			
62 OCCUPATION ( <input type="checkbox"/> STUDENT)	63 DAYS OFF	64 WORK HRS.	65 INTERPRETER		66 OPERATOR'S LIC. NO. / STATE					
67 VEH. LIC. NO. / STATE	68 VEH. COLOR / YEAR / MAKE / MODEL / BODY STYLE	69 OTHER CHARACTERISTICS / VIN NO.								
70 COMMENTS:										

71 CODE	72 NAME (Last, First, Middle, Gen.) / FIRM NAME	AKA / Moniker	RACE 73	SEX 74	75 HT	76 WT	77 HAIR	78 EYES	79 DOB	80 AGE
81 RESIDENCE ADDRESS / ( <input type="checkbox"/> Same as Box # _____)			CITY	STATE	ZIP	82 RESIDENCE PHONE ( )				
83 BUSINESS / SCHOOL NAME			ADDRESS / ( <input type="checkbox"/> Same as Box # _____)	CITY	STATE	ZIP	84 BUSINESS PHONE ( )			
85 OCCUPATION ( <input type="checkbox"/> STUDENT)	86 DAYS OFF	87 WORK HRS.	88 INTERPRETER		89 OPERATOR'S LIC. NO. / STATE					
90 VEH. LIC. NO. / STATE	91 VEH. COLOR / YEAR / MAKE / MODEL / BODY STYLE	92 OTHER CHARACTERISTICS / VIN NO.								
93 COMMENTS:										

94 DATE / TIME OF REPORT 2/2/98 / 1000	95 REPORTING OFFICER / ID NO. / DIV. / UNIT R. CLARK # 2861 / WCP / HQP	96 APPROVED BY / ID NO.
---	--	-------------------------

**NARRATIVE REPORT VENTURA COUNTY SHERIFF'S DEPARTMENT**

Page 1 of 2

Continuation

AGENCY IDENTIFIER CA0560000

1 R.D. 80508A	2 BEAT 8A	3 RB NUMBER 98-10973
------------------	--------------	-------------------------

4 CODE	5 ITEM	6 QTY.	7 ITEM NAME	8 BRAND / MAKE MANUFACTURER	9 MODEL NAME OR NUMBER	10 MISC. DESCRIPTION	11 IDENTIFICATION / SERIAL NUMBER	12 VALUE
--------	--------	--------	-------------	-----------------------------	------------------------	----------------------	-----------------------------------	----------

**SUPPLEMENTAL**

Code Section: Class: 245 PC ADW / 10851 VC

Code: V-1 Name: DEPUTY HARA

**ASSIGNMENT: WEST COUNTY POLICE SERVICES PATROL SUPERVISOR.**

**ACTIVITY: ON 2/2/98 AT 0437HRS I WAS DISPATCHED CODE THREE TO A OFFICER INVOLVED SHOOTING AT THE COUNTRY INN, LOCATED AT 1405 DEL NORTE ROAD IN THE CITY OF CAMARILLO. I RESPONDED FROM FOSTER PARK, AND ARRIVED AT THE SCENE AT ABOUT 0450 HRS.**

**ON ARRIVAL, I CONTACTED SENIOR DEPUTY CARGILE WHO HAD ARRIVED WITHIN FIVE MINUTES OF THE INCIDENT AND TOOK CHARGE OF THE SCENE. SENIOR DEPUTY CARGILE SEQUESTERED THE INVOLVED DEPUTIES AND SECURED THE CRIME SCENE PRIOR TO MY ARRIVAL. DEPUTY DARIN SMITH WAS ASSIGNED TO SCRIBE AND CHECK PERSONAL IN AND OUT OF THE CRIME SCENE. AT THE TIME OF MY ARRIVAL, THE AMBULANCE PERSONAL WERE STILL AT THE SCENE PREPARING TO TRANSPORT THE SUSPECT TO PLEASANT VALLEY HOSPITAL. I TALKED WITH EACH OF THE INVOLVED DEPUTIES ( HARA, LOES AND TORPEY ) AND CONFIRMED THAT THEY WERE NOT INJURED. AT THAT TIME I GAVE THEM THE OPPORTUNITY TO CONTACT FAMILY MEMBERS AND THEY DECLINED.**

**I RETURNED TO SENIOR DEPUTY CARGILE AND WAS ADVISED OF THE FOLLOWING INFORMATION IN REFERENCE TO THE INCIDENT: AT 0421 HRS., DEPUTIES HARA AND TORPY WERE DISPATCHED TO A SUSPICIOUS SUBJECT CALL AT THE COUNTRY INN. WHILE RESPONDING TO THE CALL, THE DEPUTIES MADE CONTACT WITH DEPUTY LOES WHO HAD JUST FINISHED HIS SHIFT. DEPUTY LOES ELECTED TO GO WITH HARA AND TORPY TO THE CALL . ON ARRIVAL, THE DEPUTIES CONTACTED THE SUSPECT WHO WAS SEATED IN THE DRIVERS SEAT OF A PICKUP TRUCK PARKED AT THE REAR OF THE INN. A SHORT TIME AFTER THE CONTACT, THE SUBJECT RAMMED ONE OF THE PATROL UNITS WITH THE TRUCK. DEPUTIES HARA AND LOES EACH FIRED ONE ROUND INTO THE CAB OF THE TRUCK. THE SUBJECT WENT DOWN IN THE SEAT AND IT APPEARED THAT HE WAS HIT. THE DEPUTIES BROADCAST A "CODE 999", AND REQUESTED AN AMBULANCE. WHEN THE AMBULANCE ARRIVED THE MEDICAL**

13 DATE / TIME OF REPORT

2/2/98 1000 hrs

14 REPORTING OFFICER / ID NO / DIV / UNIT

S.R. HUNT SGT 0249

WCPS / HQ

15 APPROVED BY / ID NO

*[Signature]* 01997 J.S.



**NARRATIVE REPORT VENTURA COUNTY SHERIFF'S DEPARTMENT**

Page 2 of 2  Continuation

AGENCY IDENTIFIER CA0560000

1 R.D. 8050	2 BEAT 8A	3 RB NUMBER 98-10973
----------------	--------------	-------------------------

4 CODE	5 ITEM	6 QTY.	7 ITEM NAME	8 BRAND / MAKE MANUFACTURER	9 MODEL NAME OR NUMBER	10 MISC. DESCRIPTION	11 IDENTIFICATION / SERIAL NUMBER	12 VALUE
--------	--------	--------	-------------	-----------------------------	------------------------	----------------------	-----------------------------------	----------

PERSONAL CHECKED THE SUSPECT AND WERE UNABLE TO LOCATE ANY WOUNDS.

AFTER TALKING WITH SENIOR DEPUTY CARGILE, I RETURNED TO DEPUTY HARA AND ASKED HIM TO DESCRIBE THE NUMBER AND PATH OF THE ROUNDS THAT WERE FIRED IN ORDER TO INSURE THAT NO ONE IN THE SURROUNDING AREA COULD HAVE BEEN INJURED. I THEN CALLED THE WATCH COMMANDER, CAPTAIN WARREN, AND BRIEFED HIM ON THE INCIDENT. AT THAT TIME I CONFIRMED THAT SHERIFF PERSONAL AND MAJOR CRIMES INVESTIGATORS HAD BEEN DISPATCHED TO THE SCENE. I DIRECTED DEPUTIES CLARK AND BECKETT TO CANVAS THE INN, IN AN ATTEMPT TO LOCATE WITNESSES. CAPTAIN MONTJO ARRIVED AT THE SCENE AND I BRIEFED HIM ON THE INCIDENT.

CAPTAIN MONTIJO INSTRUCTED ME TO REMAIN IN THE AREA OF THE INVOLVED DEPUTIES, AS THEY WERE DIRECTED TO ROOMS INSIDE THE INN TO BE INTERVIEWED. SENIOR DEPUTY CARGILE REMAINED IN CHARGE OF THE CRIME SCENE. AT 0830 HRS I WAS RELIEVED AT THE SCENE BY SERGEANT MACEDO .

13 DATE / TIME OF REPORT 2/2/98 1000 hrs	14 REPORTING OFFICER / ID NO / DIV / UNIT S.R. HUNT Sgt 0849 WCPs/HQ	15 APPROVED BY / ID NO <i>[Signature]</i>
---	---	--

**NARRATIVE REPORT VENTURA COUNTY SHERIFF'S DEPARTMENT**

Page 1 of 2

Continuation

AGENCY IDENTIFIER CA0560000

1 R.D. 8050	2 BEAT 8A01	3 RB NUMBER 98-10973
----------------	----------------	-------------------------

4 CODE	5 ITEM	6 QTY.	7 ITEM NAME	8 BRAND / MAKE MANUFACTURER	9 MODEL NAME OR NUMBER	10 MISC. DESCRIPTION	11 IDENTIFICATION / SERIAL NUMBER	12 VALUE
--------	--------	--------	-------------	-----------------------------	------------------------	----------------------	-----------------------------------	----------

**SUPPLEMENTAL**

Code Section: **245 P.C. / 10851 V.C.** Class: **FELONY**

Code: V-1 Name: **DEPUTY HARA**

ON 2/2/98, AT ABOUT 0437 HOURS, DEPUTY ALVAREZ AND I WERE PATROLLING THE VENTURA AREA IN A MARKED SHERIFF'S PATROL UNIT (3D11). WE OVERHEARD RADIO TRAFFIC OF AN OFFICER NEEDING EMERGENCY ASSISTANCE (CODE 999). WE RESPONDED TO THE COUNTRY INN FROM SOUTHBOUND 101 AND TELEPHONE RD..

UPON ARRIVAL, WE WERE ASSIGNED TO PERIMETER SECURITY. AFTER SOME TIME, I WAS REASSIGNED TO LOCATE WITNESSES WITHIN THE HOTEL ITSELF. DEPUTY BECKETT AND I MET WITH, AND INTERVIEWED SEVERAL HOTEL GUESTS. (REFER TO DEPUTY BECKETT'S REPORT FOR ADDITIONAL DETAILS.) I MET WITH, AND INTERVIEWED THE FOLLOWING GUESTS. I TAPE RECORDED THE FOLLOWING STATEMENTS AS THE WITNESSES TOLD ME THE FOLLOWING:

**INTERVIEW OF (W-15) [REDACTED] (ROOM #131)**

[REDACTED] WAS ALONE IN HER ROOM AND SLEEPING WHEN SHE WAS AWAKENED BY A "SQUEALING NOISE". SHE LOOKED OUT THE BEDROOM WINDOW AND SAW THREE "SHERIFF'S DEPARTMENT PEOPLE" WITH THEIR GUNS DRAWN. THE DEPUTIES WERE YELLING AT A GUY TO GET OUT OF HIS CAR. THE GUY APPEARED UNCONSCIOUS AND A DEPUTY REACHED IN THE CAR AS IF HE WAS CHECKING FOR A PULSE. AN AMBULANCE CAME AND TOOK THE GUY AWAY. [REDACTED] SAID SHE DID NOT HEAR ANY GUNSHOTS.

**INTERVIEW OF (W-16) [REDACTED] (ROOM #323)**

[REDACTED] WAS SLEEPING DURING THE INCIDENT AND DID NOT SEE OR HEAR ANYTHING.

**INTERVIEW OF (W-17) [REDACTED] (ROOM #323)**

[REDACTED] WOKE UP TO THE SOUND OF MEN ARGUING. SHE HEARD A MAN YELL, "STOP". SHE THEN HEARD THE SOUND OF METAL HITTING METAL. SOMEBODY SCREAMED, "STOP...OR I'LL SHOOT!" [REDACTED] HEARD TWO

13 DATE / TIME OF REPORT

2/2/98 / 1015

14 REPORTING OFFICER / ID NO / DIV / UNIT

R. CLARK #2861 / WCP / HQP

15 APPROVED BY / ID NO

*[Signature]*

**NARRATIVE REPORT VENTURA COUNTY SHERIFF'S DEPARTMENT**

Page 2 of 2  Continuation

AGENCY IDENTIFIER CA0560000

1 R.D. 8050	2 BEAT 8A01	3 RB NUMBER 98-10973
----------------	----------------	-------------------------

4 CODE	5 ITEM	6 QTY.	7 ITEM NAME	8 BRAND / MAKE MANUFACTURER	9 MODEL NAME OR NUMBER	10 MISC. DESCRIPTION	11 IDENTIFICATION / SERIAL NUMBER	12 VALUE
--------	--------	--------	-------------	-----------------------------	------------------------	----------------------	-----------------------------------	----------

"POPPING" SOUNDS. SHE THEN HEARD, "COME OUT...GET YOUR HANDS UP!" [REDACTED] WENT TO HER WINDOW BUT WAS UNABLE TO SEE ANYTHING, EXCEPT FOR A PARKED SHERIFF'S UNIT.

INTERVIEW OF (W-18) [REDACTED] (ROOM #327)

AT ABOUT 0420 HOURS, [REDACTED] WAS ASLEEP ALONE IN HER ROOM WHEN SHE WAS AWAKENED BY THE SOUND OF "SQUEALING". SHE HEARD TWO "POPS" FOLLOWED BY YELLING. SHE LOOKED OUT HER WINDOW AND SAW THREE OR FOUR POLICE OFFICERS WITH THEIR GUNS DRAWN AND POINTED AT A TRUCK. THE OFFICERS STOOD THERE FOR "A LONG TIME". [REDACTED] THEN WENT BACK TO BED.

INTERVIEW OF (W-19) [REDACTED] (ROOM #307)

[REDACTED] WAS SLEEPING DURING THE INCIDENT AND DID NOT SEE OR HEAR ANYTHING.

INTERVIEW OF (W-20) [REDACTED] (ROOM #307)

[REDACTED] AWOKE TO THE SOUND OF "TWO GUNSHOTS" AT ABOUT 0430 HOURS. SHE HEARD "SOMETHING FALLING" OUTSIDE. SHE DESCRIBED THE SOUND AS SIMILAR TO A PIECE OF WOOD FALLING ONTO THE PARKING LOT OUTSIDE. [REDACTED] HEARD YELLING, BUT WAS UNABLE TO HEAR WHAT WAS BEING SAID. [REDACTED] TOLD ME THE "FALLING" SOUND SHE HEARD WAS DEFINITELY NOT A CAR CRASH. SHE DID NOT SEE ANYTHING.

I LATER BOOKED THE MICRO-CASSETTE TAPES INTO THE HEADQUARTERS PROPERTY ROOM AS EVIDENCE.

13 DATE / TIME OF REPORT 2/2/98 / 1015	14 REPORTING OFFICER / ID NO / DIV / UNIT R. CLARK #2861 / WCP / HQP	15 APPROVED BY / ID NO <i>[Signature]</i> 0797
---	---	---



CRIME / INCIDENT REPORT

VENTURA COUNTY SHERIFF'S DEPARTMENT  
AGENCY IDENTIFIER CA0560000

1 CONNECTING REPORT NUMBERS		2 R.D. 8050	3 BEAT 8A01	4 RB NUMBER 98-10973
5 <input type="checkbox"/> CRIME <input type="checkbox"/> INCIDENT <input checked="" type="checkbox"/> SUPPLEMENTAL		6 <input type="checkbox"/> DOMESTIC <input type="checkbox"/> CHILD ABUSE <input type="checkbox"/> HATE <input type="checkbox"/> GANG <input type="checkbox"/> ELDERLY ABUSE		
7 CODE SECTION / DESCRIPTION (INCIDENT) 245 PC / 10851 VC		8 CLASS. <input type="checkbox"/> Misd. <input type="checkbox"/> Fel.	9 CODE SECTION / DESCRIPTION ( <input type="checkbox"/> Reclassify To)	
11 CODE SECTION / DESCRIPTION (INCIDENT)		12 CLASS. <input type="checkbox"/> Misd. <input type="checkbox"/> Fel.	13 CODE SECTION / DESCRIPTION ( <input type="checkbox"/> Reclassify To)	
15 OCCURRED FROM MO. DAY YR. TIME 2   2   98   10420	16 DOW MON.	17 OCCURRED TO MO. DAY YR. TIME 2   2   98   10810	18 DOW MON.	
19 LOCATION OF OFFENSE / INCIDENT ADDRESS CITY STATE ZIP 1405 DEL NORTE CAMARILLO, CA 93010				
20 CODE V - VICTIM W - WITNESS R - REPORTING PARTY F - FINDER O - OWNER P - PARTY				
21 CODE (A)	22 NAME (Last, First, Middle, Gen.) / FIRM NAME REYNOLDS, JEFF	AKA / Moniker	RACE	SEX
23 RESIDENCE ADDRESS / ( <input type="checkbox"/> Same as Box # )	CITY	STATE	ZIP	32 RESIDENCE PHONE
33 BUSINESS / SCHOOL NAME	ADDRESS / ( <input type="checkbox"/> Same as Box # )	CITY	STATE	ZIP
34 BUSINESS PHONE				
35 OCCUPATION ( <input type="checkbox"/> STUDENT)	36 DAYS OFF	37 WORK HRS	38 INTERPRETER	39 OPERATOR'S LIC. NO. / STATE
40 VEH. LIC. NO. / STATE	41 VEH. COLOR / YEAR / MAKE / MODEL / BODY STYLE	42 OTHER CHARACTERISTICS / VIN NO.		
43 CODE	44 NAME (Last, First, Middle, Gen.) / FIRM NAME	AKA / Moniker	RACE	SEX
45	46	47 HT	48 WT	49 HAIR
50 EYES	51 DOB	52 AGE		
53 RESIDENCE ADDRESS / ( <input type="checkbox"/> Same as Box # )	CITY	STATE	ZIP	54 RESIDENCE PHONE
55 BUSINESS / SCHOOL NAME	ADDRESS / ( <input type="checkbox"/> Same as Box # )	CITY	STATE	ZIP
56 BUSINESS PHONE				
57 OCCUPATION ( <input type="checkbox"/> STUDENT)	58 DAYS OFF	59 WORK HRS	60 INTERPRETER	61 OPERATOR'S LIC. NO. / STATE
62 VEH. LIC. NO. / STATE	63 VEH. COLOR / YEAR / MAKE / MODEL / BODY STYLE	64 OTHER CHARACTERISTICS / VIN NO.		
65 ARSON <input type="checkbox"/> Single Fam. Resd. <input type="checkbox"/> Inhabited <input type="checkbox"/> Uninhabited <input type="checkbox"/> Storage <input type="checkbox"/> Industrial <input type="checkbox"/> Commercial <input type="checkbox"/> Other Structure <input type="checkbox"/> Public Place <input type="checkbox"/> Vehicle <input type="checkbox"/> Unlawful Fire <input type="checkbox"/> Forest <input type="checkbox"/> Injury Occurred <input type="checkbox"/> Other	66 BURGLARY <input type="checkbox"/> Residential <input type="checkbox"/> Vehicle <input type="checkbox"/> Commercial <input type="checkbox"/> Other  67 ROBBERY <input type="checkbox"/> Bank <input type="checkbox"/> Chain Store <input type="checkbox"/> Commercial <input type="checkbox"/> Gas Station <input type="checkbox"/> Highway <input type="checkbox"/> Residence <input type="checkbox"/> Other	68 THEFT <input type="checkbox"/> Auto Parts <input type="checkbox"/> Bicycle <input type="checkbox"/> From Bldg. <input type="checkbox"/> Coin Machine <input type="checkbox"/> From Person <input type="checkbox"/> From Vehicle <input type="checkbox"/> Purse Snatch <input type="checkbox"/> Shoplift <input type="checkbox"/> Other  69 VALUE / DOLLAR LOSS \$ VALUE / DAMAGE LOSS \$	70 FORCE / WEAPON <input type="checkbox"/> No Force <input type="checkbox"/> No Weapon <input type="checkbox"/> Verbal Only <input type="checkbox"/> Attempt Only <input type="checkbox"/> Great Bodily Injury <input type="checkbox"/> Firearm <input type="checkbox"/> Knife <input type="checkbox"/> Hands/Fists/Feet <input type="checkbox"/> Other	71 DOMESTIC VIOLENCE / SEX / HATE CRIMES <input type="checkbox"/> D.V. and/or S. A. Pamphlet given to: <input type="checkbox"/> Victim <input type="checkbox"/> P-1 <input type="checkbox"/> P-2 <input type="checkbox"/> Pursuant to Sec. 6254 G.C., victim of D.V., Sex or Hate Crime requests their name be withheld from the public. <input type="checkbox"/> YES <input type="checkbox"/> NO
72 SPECIAL INTEREST (Copy to Agency/Unit) <input type="checkbox"/> Domestic Violence <input type="checkbox"/> Sex Crime <input type="checkbox"/> Child Abuse <input type="checkbox"/> PSSA <input type="checkbox"/> Gang Related <input type="checkbox"/> Hate Crime <input type="checkbox"/> Agricultural <input type="checkbox"/> Probation <input type="checkbox"/> Parole <input type="checkbox"/> Other				
73 DATE AND TIME REPORTED 22-98/0420	74 DATE / TIME OF REPORT 22-98/0725	75 REPORTING OFFICER / ID NO. / DIV / UNIT J. KENEMAN / 2783 / NCP / CAM		76 APPROVED BY <i>[Signature]</i>
77 COPIES TO <input type="checkbox"/> DET/MC <input type="checkbox"/> NARC <input type="checkbox"/> GANG/SED <input type="checkbox"/> STATS <input type="checkbox"/> PRESS <input type="checkbox"/> DOJ <input type="checkbox"/> COURT <input type="checkbox"/> OTHER				



**NARRATIVE REPORT VENTURA COUNTY SHERIFF'S DEPARTMENT**

Page 3 of 4  Continuation

AGENCY IDENTIFIER CA0560000

1 R.D. 8050	2 BEAT 8A01	3 RB NUMBER 98-10973
----------------	----------------	-------------------------

4 DATE	5 ITEM	6 QTY.	7 ITEM NAME	8 BRAND / MAKE MANUFACTURER	9 MODEL NAME OR NUMBER	10 MISC. DESCRIPTION	11 IDENTIFICATION / SERIAL NUMBER	12 VALUE	
			ON 2-2-98 AT 0457 HOURS DEP HANDY #1360 AND I RESPONDED TO A 999 CALL FROM DEPUTIES TORPEY, HARA AND LOES.						
			WE ARRIVED AT THE COUNTRY INN AND FOUND TORPEY, HARA AND LOES IN THE REAR PARKING LOT WITH WEAPONS DRAWN COVERING A TRUCK WITH ONE OCCUPANT INSIDE. LOES AND HARA WERE COVERING THE TRUCK FROM THE EAST SIDE AND TORPEY WAS ON THE LEFT SIDE. I ASSISTED LOES AND HARA FROM THE EAST SIDE OF THE TRUCK. I HAD A VISUAL ON THE SUSPECT AND ADVISED TORPEY THAT HE WAS NOT MOVING. TORPEY APPROACHED THE VEHICLE FROM THE REAR ON THE DRIVERS SIDE AND HANDY APPROACHED THE VEHICLE ON THE PASSENGER SIDE. I WENT TO ASSIST TORPEY ON THE DRIVERS SIDE WITH THE SUSPECT. THE SUSPECT WAS SITTING IN THE DRIVERS SEAT WITH HIS HANDS FOLDED IN HIS LAP. THE VEHICLE WAS RUNNING AND IT WAS IN "DRIVE". TORPEY SECURED THE SUSPECTS HANDS IN FRONT OF HIM WITH HANDCUFFS, TORPEY AND I SECURED THE AREA AROUND THE SUSPECT TO ENSURE THERE WERE NO WEAPONS IN HIS REACH. I TURNED THE VEHICLE OFF AND PUT IT IN PARK.						
			THE SUSPECT APPEARED TO BE UNCONSCIOUS AND WAS NOT RESPONSIVE. TORPEY AND I CHECKED THE SUSPECT FOR INJURIES AND COULD NOT FIND ANY. THE PARAMEDICS BROUGHT A STRETCHER UP TO THE TRUCK						

13 DATE / TIME OF REPORT 2-2-98/0815	14 REPORTING OFFICER / ID NO / DIV / UNIT J. KENEMAN / 2783 / WCP / CAM	15 APPROVED BY / ID NO SGT. [Signature] / 1140
---	--	---



NARRATIVE REPORT

VENTURA COUNTY SHERIFF'S DEPARTMENT  
AGENCY IDENTIFIER CA0560000

(Continued)

Page 4 of 4

16 RB NUMBER

98-10973

AND TORPEY AND I TRANSFERED THE SUSPECT ON TO IT. THE PARAMEDICS CUT THE SUSPECTS CLOTHING OFF OF HIM AND WE SET IT ASIDE FOR B.I.

THE SUSPECT REMAINED UNRESPONSIVE, THE PARAMEDICS COULD NOT FIND ANY INJURIES ON HIM. ONCE IN THE AMBULANCE THE PARAMEDICS ROUSED THE SUSPECT LONG ENOUGH TO GET HIS NAME AND BIRTHDATE. HE SAID HIS NAME WAS JEFF REYNOLDS AND HE WAS TWENTY YEARS OLD.

REYNOLDS WAS HANDCUFFED TO THE GURNEY AND HE WAS SHACKLED. I RODE IN THE AMBULANCE WITH REYNOLDS TO PVER. REYNOLDS WAS CHECKED BY DR. [REDACTED] AT PVER. DR. [REDACTED] DID NOT FIND ANY INJURIES ON HIM. A BLOOD SAMPLE WAS DRAWN AND BOOKED AS EVIDENCE BY HANDY. HANDY AND I STOOD BY WITH REYNOLDS UNTIL 0810 HOURS WHEN DEP. KOSTAS RELIEVED US. REFER TO THE OTHER REPORTS SAME RB NUMBER FOR FURTHER DETAILS.

SUPPLEMENTAL REPORT

RD# : 8050

RB#: 98-10973

ORIGINAL OFFENSE: 245 (c) P.C.

CONNECTING REPORTS:

DATE & TIME OF INCIDENT: 2-2-98 0426 HRS.

LOCATION OF OFFENSE: 1405 DEL NORTE RD., CAMARILLO

CODE: V

NAME: HARA, MARK (DEPUTY SHERIFF)

RACE: W

SEX: M

D.O.B.:

AGE:

ADDRESS: 800 S. VICTORIA AVE., VENTURA

RES. PHONE:

BUS. PHONE: (805) 654-2311

CASE DISPOSITION:

---

ON 2-2-98 AT 0455 HRS. I RECEIVED A CALL AT HOME FROM MAJOR CRIMES CAPTAIN MONTIJO. CAPTAIN MONTIJO TOLD ME THERE HAD BEEN AN OFFICER INVOLVED SHOOTING AT THE COUNTRY INN IN CAMARILLO. NO OFFICERS WERE INJURED BUT THE SUSPECT WAS "DOWN". I BEGAN TO GET READY FOR WORK WHEN I RECEIVED ANOTHER CALL FROM CAPTAIN MONTIJO. CAPTAIN MONTIJO TOLD ME THE SUSPECT HAD NOT BEEN HIT BY GUNFIRE BUT WAS INJURED AND WOULD BE TRANSPORTED TO THE HOSPITAL. I WAS TOLD TO RESPOND TO THE SCENE.

I LEFT MY HOUSE AT 0530 HRS., ARRIVING AT THE SCENE AT 0545 HRS. THE COUNTRY INN IS AN UPSCALE THREE STORY MOTEL WITH GUEST ROOM ACCESS ONLY FROM INTERIOR HALLWAYS. THE MOTEL IS LOCATED ON THE

COPIES TO:  Det  CAU  Narc  Prob  Juv  CII  Officer  Watch Commander  OTHER

DATE/TIME REPORTED

DATE/TIME OF REPORT

REPORTING OFFICER/ID NO./DIV./UNIT

APPROVED BY/ID NO.

2-4-98

J. Thompson 1032 m/c

R. J. [Signature]

NORTH SIDE OF THE 101 FREEWAY ON THE WEST END OF CAMARILLO CITY LIMITS. THE MOTEL IS VISIBLE FROM THE FREEWAY AND IS ACCESSED FROM CENTRAL AVE. (FREEWAY EXIT) TO DEL NORTE RD. THE MOTEL IS LOCATED AT THE DEAD END OF DEL NORTE RD. THERE IS GUEST PARKING ON THE NORTH, EAST AND WEST SIDES OF THE MOTEL. THERE IS A MAIN PEDESTRIAN ENTRANCE TO THE LOBBY ON THE SOUTH SIDE OF THE MOTEL. THIS ENTRANCE FACES DEL NORTE AND THE 101 FREEWAY. THERE IS ANOTHER PEDESTRIAN ENTRANCE ON THE NORTH SIDE OF THE MOTEL WHICH IS USED BY GUESTS WHO PARK IN THE NORTH LOT. THERE ARE TWO ENTRANCES TO THE PARKING LOTS FROM DEL NORTE. ONE IS ON THE EAST SIDE OF THE MOTEL, THE OTHER ON THE WEST END. THESE THREE PARKING LOTS ARE BORDERED BY BLOCK WALLS WHICH SEPARATE THE MOTEL FROM THE BUSINESS AREA TO THE EAST, A MOBILE HOME PARK TO THE NORTH AND AN AGRICULTURAL FIELD TO THE WEST. THE PARKING LOTS HAVE A ROW OF PARKING SPACES PERPENDICULAR TO AND FACING THE BLOCK WALLS AND A ROW OF PARKING SPACES PERPENDICULAR TO AND FACING THE MOTEL. THE NORTH PARKING LOT IS ILLUMINATED WITH THREE DIRECTIONAL LIGHTS ON 25 FOOT POLES. THESE LIGHTS ARE LOCATED ALONG THE FIVE FOOT WIDE LANDSCAPED STRIP WHICH BORDERS THE NORTH EDGE OF THE NORTH LOT AND THE BLOCK WALL. THE LIGHTS ARE DIRECTED TOWARD THE SOUTH TO THE PARKING LOT BELOW.

WHEN I ARRIVED, THE NORTH PARKING LOT WAS SECURED WITH CRIME SCENE TAPE. PATROL DEPUTIES PROVIDED SECURITY FOR THE CRIME SCENE. COMMANDER HUSBAND AND CAPTAIN REGAN, BOTH FROM THE CAMARILLO

COPIES TO: <input type="checkbox"/> Det <input type="checkbox"/> CAU <input type="checkbox"/> Narc <input type="checkbox"/> Prob <input type="checkbox"/> Juv <input type="checkbox"/> CII <input type="checkbox"/> Officer <input type="checkbox"/> Watch Commander <input type="checkbox"/> OTHER			
DATE/TIME REPORTED	DATE/TIME OF REPORT	REPORTING OFFICER/ID NO./DIV./UNIT	APPROVED BY/ID NO.
	2-4-98	J. Dleyman 1032 m/c	R. J. Foster 561



SHERIFF'S STATION WERE ON SCENE AS WAS B.I. SINCE IT WAS RAINING VERY HARD AND HAD BEEN MOST OF THE NIGHT, WE AGREED TO MEET IN THE HOTEL LOBBY. CAPTAIN REGAN SECURED ROOM 215 FOR OUR USE AND THAT IS WHERE CAPTAIN MONTIJO AND PATROL SERGEANT HUNT BRIEFED ME. I WAS TOLD THE INVOLVED DEPUTIES HAD BEEN SEPARATED AND WERE WAITING TO BE INTERVIEWED. SHERIFF'S PERSONNEL CAPTAIN EDWARDS AND SERGEANTS LEMAY AND HERNANDEZ WERE ALSO IN THE HOTEL LOBBY.

CAPTAIN MONTIJO AND SGT. YOUNG TOLD ME SHERIFF'S DISPATCH HAD RECEIVED A CALL AT 0421 HRS. FROM THE NIGHT CLERK AT THE COUNTRY INN. THE NIGHT CLERK WAS REPORTING A SUSPICIOUS TRUCK HAD COME INTO THE BACK (NORTH) PARKING LOT AND HAD SHUT OFF THEIR HEADLIGHTS. NO ONE HAD GOTTEN OUT OF THE TRUCK. DEPUTIES HARA AND TORPEY HAD BEEN DISPATCHED TO THE CALL. WHILE IN ROUTE TO THE CALL, DEPUTY TORPEY HAD SEEN OFF DUTY DEPUTY LOES IN CAMARILLO. DEPUTY LOES, WHO WORKS A SPECIAL ENFORCEMENT DETAIL IN CAMARILLO, HAD JUST GOTTEN OFF WORK AFTER STAKING OUT THE LOCAL MOTELS INCLUDING THE COUNTRY INN. AN INDECENT EXPOSURE SUSPECT HAD BEEN TARGETING THE NIGHT CLERKS AT THE LOCAL MOTELS AND DEPUTY LOES AND HIS PARTNER HAD BEEN LOOKING FOR THE SUSPECT.

DEPUTY'S HARA, TORPEY AND LOES ARRIVED ABOUT THE SAME TIME. WHILE TORPEY CONTACTED THE NIGHT CLERK, HARA AND LOES WENT TO THE PASSENGER SIDE OF THE SUSPECT VEHICLE, A NEW GREEN FORD F150 PICKUP WITH "BARBER FORD" PAPER DEALER PLATES. AFTER A SHORT CONTACT WITH

COPIES TO:  Det  CAU  Narc  Prob  Juv  CII  Officer  Watch Commander  OTHER

DATE/TIME REPORTED

DATE/TIME OF REPORT

REPORTING OFFICER/ID NO./DIV./UNIT

APPROVED BY/ID NO.

2-4-98

J. D. Longman 1032 m/c

R. J. [Signature] Sgt

THE DRIVER, THE DRIVER BACKED INTO HARA'S PATROL CAR WHICH WAS PARKED PERPENDICULAR BEHIND THE FORD TRUCK. THE TRUCK DID THIS SEVERAL TIMES GOING BACK AND FORTH IN AN ATTEMPT TO GET OUT. DURING THESE MANEUVERS, DEPUTY TORPEY GOT IN THE TRUCK BED AND USED HIS O.C. IN AN ATTEMPT TO SPRAY THE DRIVER TO GET HIM TO STOP HIS ACTIONS. DEPUTY LOES AND HARA FIRED THEIR DUTY WEAPONS INTO THE TRUCK CAB. THE TRUCK CAME TO REST INTO A TREE IN THE PLANTER BETWEEN THE PARKING LOT AND THE BLOCK WALL. THE SUSPECT SLUMPED IN HIS DRIVER'S SEAT AND DID NOT MOVE NOR WOULD HE RESPOND TO VERBAL COMMANDS. DEPUTY HANDY AND KENNEMAN ARRIVED AS A BACK UP UNIT. THE SUSPECT WAS REMOVED FROM THE TRUCK AND MEDICAL PERSONNEL CUT HIS CLOTHES OFF TO EXAMINE HIM FOR WOUNDS. NONE WERE FOUND NOR WERE ANY INJURIES FOUND TO EXPLAIN THE SUSPECTS NON RESPONSIVENESS. THE SUSPECT WAS TRANSPORTED BY AMBULANCE TO ST. JOHN'S PLEASANT VALLEY HOSPITAL. THE AREA AT THE FRONT OF THE TRUCK, THE BLOCK WALL AND THE MOBILE HOMES LOCATED ON THE OTHER SIDE OF THE WALL WERE EXAMINED FOR BULLET HOLES. NONE WERE FOUND. GUESTS OF THE MOTEL, WHOSE ROOMS OVERLOOKED THE SHOOTING SCENE, WERE IDENTIFIED AND INTERVIEWED.

I COULD SEE THE PARKING LOTS OF THE MOTEL WERE ABOUT HALF FULL WITH PARKED CARS. THE SUSPECT'S VEHICLE, A 1998 FORD F150 EXTENDED CAB PICK UP WITH "BARBER FORD" PAPER DEALER PLATES, WAS PARKED IN THE NORTH LOT FACING THE BLOCK WALL. THE TRUCK WAS ABOUT 10 PARKING

COPIES TO: <input type="checkbox"/> Det <input type="checkbox"/> CAU <input type="checkbox"/> Narc <input type="checkbox"/> Prob <input type="checkbox"/> Juv <input type="checkbox"/> CII <input type="checkbox"/> Officer <input type="checkbox"/> Watch Commander <input type="checkbox"/> OTHER			
DATE/TIME REPORTED	DATE/TIME OF REPORT	REPORTING OFFICER/ID NO./DIV./UNIT	APPROVED BY/ID NO.
	2-4-98	J. Thompson 1032 m/c	[Signature]

SPACES EAST OF THE REAR PEDESTRIAN ENTRANCE TO THE MOTEL. THE TRUCK WAS PARKED DIAGONALLY IN A PAINTED PARKING SPACE. THE LEFT FRONT TIRE WAS OVER THE CURB AND INTO THE PLANTER AREA BETWEEN THE PARKING LOT AND THE BLOCK WALL. THE FRONT BUMPER OF THE TRUCK WAS WITHIN AN INCH OF A LARGE TREE LOCATED IN THAT SAME PLANTER AREA. THE RIGHT FRONT TIRE WAS OVER THE PAINTED LINES FOR THE EMPTY PARKING SPACE TO THE EAST OF THE TRUCK. JUST EAST OF THIS EMPTY PARKING SPACE WAS A RAISED CURB BORDERING A LANDSCAPED AREA. THE LANDSCAPED AREA WAS ABOUT 6 FEET WIDE AND THE LENGTH OF A PARKING SPACE. WITHIN THIS LANDSCAPED AREA WAS A LARGE GREEN METAL ELECTRIC OR PHONE UTILITY TYPE BOX. THIS BOX WAS BORDERED BY SEVERAL LARGE METAL POLES WHICH APPEARED TO BE PLACED THERE TO PROTECT THE UTILITY BOX FROM VEHICLE DAMAGE. THERE WAS A 9MM SHELL CASING LAYING ON THE ASPHALT NEXT TO THE RAISED CURB WHICH BORDERS THIS LANDSCAPED AREA. LATER, WHEN THE RAIN WATER RECEDED, ANOTHER 9MM SHELL CASING WAS LOCATED IN THIS SAME LANDSCAPED AREA.

BOTH DOORS OF THE TRUCK WERE OPEN. THE KEYS WERE IN THE IGNITION IN THE OFF POSITION. THE HEADLIGHTS WERE NOT ILLUMINATED. THE AUTOMATIC TRANSMISSION GEAR SHIFT WAS IN "PARK". BOTH THE DRIVER AND PASSENGER DOORS WERE OPEN AND BOTH DOORS' WINDOWS WERE BROKEN COMPLETELY OUT WITH A LARGE AMOUNT OF CRUMBLED GLASS BOTH IN AND OUT OF THE TRUCK CAB. THE DRIVER'S SIDE VIEW MIRROR HAD WHAT APPEARED TO BE A BULLET HOLE IN THE MIRROR WITH NO EXIT HOLE. THERE

COPIES TO: <input type="checkbox"/> Det <input type="checkbox"/> CAU <input type="checkbox"/> Narc <input type="checkbox"/> Prob <input type="checkbox"/> Juv <input type="checkbox"/> CII <input type="checkbox"/> Officer <input type="checkbox"/> Watch Commander <input type="checkbox"/> OTHER			
DATE/TIME REPORTED	DATE/TIME OF REPORT	REPORTING OFFICER/ID NO./DIV./UNIT	APPROVED BY/ID NO.
	2-4-98	D. Thompson 1032 41/C	R. J. [Signature]



WAS A BULLET ENTRANCE HOLE IN THE PASSENGER DOOR ABOUT 6 INCHES BELOW THE WINDOW OPENING. THERE WAS A CORRESPONDING EXIT HOLE ON THE INSIDE OF THE DOOR. SST. STONE POINTED OUT A COPPER JACKETED BULLET ON THE DRIVER'S SIDE FLOOR. I COULD SEE A DARK BASEBALL TYPE HAT, SEVERAL KNITTED COMFORTERS AND ASSORTED PAPERS COVERING THE FRONT PASSENGER SEAT AREA AND THE FLOOR BOARD OF THE PASSENGER SIDE OF THE TRUCK. THE REAR SLIDING WINDOW AND SIDE WINDOWS OF THE EXTENDED CAB WERE TINTED GLASS. THE REAR SLIDING WINDOW WAS OPEN ABOUT 10 INCHES. SEVERAL PIECES OF CLOTHING WERE LAYING OVER THE TRUCK'S LEFT REAR FENDER AREA OF THE TRUCK. THIS CLOTHING APPEARED TO HAVE BEEN CUT, PROBABLY BY EMERGENCY PERSONNEL. I COULD ALSO SEE A WHITE TENNIS SHOE IN THE BED OF THE TRUCK ALONG WITH A 6 FOOT LONG PIECE OF GREEN 2" BY 2" WOOD LAYING LENGTH WISE IN THE BED. AFTER INTERVIEWING DEPUTY TORPEY I LOOKED IN THE BED OF THE TRUCK AGAIN (IT WAS NOW DAYLIGHT) AND I COULD SEE AN O.C. CANISTER ON THE BED OF THE TRUCK BETWEEN THE GREEN PIECE OF WOOD AND THE RIGHT REAR FENDER AREA. I COULD SEE DAMAGE TO THE LEFT REAR BUMPER, THE LEFT FRONT FENDER WHEEL WELL AND THE FRONT BUMPER AREA OF THE TRUCK.

PARKED IN THE NEXT DESIGNATED PARKING SPACE WEST OF THE TRUCK WAS A DARK BLUE/GREEN CHEVROLET BLAZER, CALIFORNIA PERSONAL LICENSE PLATE " [REDACTED] ". I COULD SEE DAMAGE TO THE PASSENGER SIDE OF THIS VEHICLE WHICH APPEARED TO BE FRESH DAMAGE.

SHERIFF'S PATROL UNIT 3004 WAS PARKED IN THE NORTH PARKING LOT

COPIES TO: <input type="checkbox"/> Det <input type="checkbox"/> CAU <input type="checkbox"/> Narc <input type="checkbox"/> Prob <input type="checkbox"/> Juv <input type="checkbox"/> Cit <input type="checkbox"/> Officer <input type="checkbox"/> Watch Commander <input type="checkbox"/> OTHER			
DATE/TIME REPORTED	DATE/TIME OF REPORT	REPORTING OFFICER/ID NO./DIV./UNIT	APPROVED BY/ID NO.
	2-4-98	J. Thompson 1032 m/c	[Signature]

FACING EAST. THE UNIT'S FRONT LEFT FENDER WAS APPROXIMATELY 8 FEET BEHIND THE RIGHT REAR BUMPER OF THE GREEN FORD TRUCK. THE UNIT'S DRIVER'S DOOR WAS OPEN AND THE MOTOR WAS RUNNING. THE DRIVER'S SIDE "SPOT LIGHT" WAS ILLUMINATING THE RIGHT REAR TAILGATE OF THE TRUCK. THE UNIT'S FRONT TIRES WERE TURNED SLIGHTLY TO THE RIGHT. I COULD SEE DENTS AND TWO GREEN PAINT TRANSFERS ON THE LEFT FRONT FENDER ABOVE THE WHEEL WELL.

SHERIFF'S PATROL UNIT 3013 WAS PARKED APPROXIMATELY 10 FEET TO THE REAR OF UNIT 3004. UNIT 3013 WAS FACING WEST, THE OPPOSITE DIRECTION OF UNIT 3004. UNIT 3013 WAS RUNNING, THE HEADLIGHTS WERE ON AND THE PASSENGER SIDE "ALLEY LIGHT" (MOUNTED ON THE EMERGENCY LIGHT BAR) WAS ON.

DEPUTY LOES PERSONAL VEHICLE, A WHITE MAZDA 323, WAS PARKED IN THE HANDICAP SPACE LOCATED IN THE SECOND PARKING SPACE EAST OF THE REAR PEDESTRIAN ENTRANCE OF THE MOTEL.

I HAD B.I. SST [REDACTED] TAKE PHOTOGRAPHS OF THE SCENE IN DARKNESS AND IN DAYLIGHT. I ALSO HAD HIM PHOTOGRAPH DEPUTIES HARA, TORPEY AND LOES IN THE CLOTHING/JACKETS THEY WERE WEARING AT THE TIME OF THE INCIDENT. I ALSO HAD SST [REDACTED] PHOTOGRAPH THE DEPUTIES FLASHLIGHT BEAMS OF LIGHT.

AT 0644 HRS., SGT. YOUNG AND I INTERVIEWED DEPUTY FRANK TORPEY IN ROOM 215 OF THE MOTEL. DEPUTY TORPEY HAD BEEN WORKING PATROL AREA 8A11 IN UNIT 3013. REFER TO THE TRANSCRIPT OF THAT INTERVIEW.

COPIES TO:  Det  CAU  Narc  Prob  Juv  CII  Officer  Watch Commander  OTHER

DATE/TIME REPORTED	DATE/TIME OF REPORT <u>2-4-98</u>	REPORTING OFFICER/ID NO./DIV./UNIT <u>J. Thompson 1032 m/c</u>	APPROVED BY/ID NO. <u>[Signature]</u>
--------------------	--------------------------------------	---	--

AT 0800 HRS. I LEARNED FROM SGT. YOUNG THE 98 FORD TRUCK HAD BEEN REPORTED STOLEN IN OXNARD ON 1-31-98.

AT 0823 HRS., SGT. YOUNG AND I INTERVIEWED DEPUTY CHRIS LOES IN ROOM 215 OF THE MOTEL. REFER TO THE TRANSCRIPT OF THAT INTERVIEW. AT THE CONCLUSION OF THE INTERVIEW I ASKED DEPUTY LOES IF HE WOULD AGREE TO PROVIDE A BLOOD SAMPLE. DEPUTY LOES AGREED TO PROVIDE A SAMPLE. I MADE ARRANGEMENTS FOR SGT. HERNANDEZ TO SEE THAT LOES GOT TO PLEASANT VALLEY HOSPITAL WHERE B.I. SST [REDACTED] WAS STANDING BY TO TAKE CUSTODY OF THE BLOOD SAMPLE.

AT 0916 HRS., SGT. YOUNG AND I INTERVIEWED DEPUTY MARK HARA IN THE SAME ROOM. REFER TO THE TRANSCRIPT OF THAT INTERVIEW. FOLLOWING THE INTERVIEW I ASKED DEPUTY HARA IF HE WOULD CONSENT TO PROVIDING A BLOOD SAMPLE. DEPUTY HARA HAD NO OBJECTION TO THIS. I DROVE DEPUTY HARA TO ST.JOHN'S PLEASANT VALLEY HOSPITAL WHERE A SAMPLE WAS DRAWN. SST. [REDACTED] TOOK CUSTODY OF THE BLOOD SAMPLE.

AT THIS POINT IN THE INVESTIGATION WE DID NOT KNOW THE IDENTITY OF THE SUSPECT. AT ST.JOHN'S PLEASANT VALLEY HOSPITAL I SPOKE WITH DET. GENTRY. DET. GENTRY HAD BEEN ASSIGNED TO OBTAIN A BLOOD SAMPLE FROM THE SUSPECT. DET. GENTRY TOLD ME THE SUSPECT HAD FEIGNED UNCONSCIOUSNESS AND WAS NOW AWAKE AND CLAIMING HE WAS PARALYZED. DET. GENTRY TOLD ME THE SUSPECT TOLD THE NURSE HIS NAME WAS JEFFREY REYNOLDS. DET. GENTRY SAID THE SUSPECT'S FINGERPRINTS HAD BEEN ROLLED AND WERE TO BE SUBMITTED TO CAL. I.D. FOR IDENTIFICATION.

COPIES TO: <input type="checkbox"/> Det <input type="checkbox"/> CAU <input type="checkbox"/> Narc <input type="checkbox"/> Prob <input type="checkbox"/> Juv <input type="checkbox"/> CII <input type="checkbox"/> Officer <input type="checkbox"/> Watch Commander <input type="checkbox"/> OTHER			
DATE/TIME REPORTED	DATE/TIME OF REPORT	REPORTING OFFICER/ID NO./DIV./UNIT	APPROVED BY/ID NO.
	2-4-98	J. T. Hovnan 1002 mlc	[Signature]



AFTER DEPUTY HARA HAD GIVEN THE BLOOD SAMPLE I TOOK HIM TO THE CAMARILLO SHERIFF'S STATION.

AT 1200 HRS. I RETURNED TO MY OFFICE IN VENTURA. AT THAT TIME DET. GENTRY TOLD ME THE SUSPECT HAD BEEN IDENTIFIED THROUGH CAL ID AS LEJON DESSANO PETERSON, DATE OF BIRTH [REDACTED]

THE 1998 FORD TRUCK HAD BEEN TOWED FROM THE SCENE TO THE SHERIFF'S CRIME LAB GARAGE. SGT. YOUNG AND I SEARCHED THE TRUCK AND FOUND A CARDBOARD BOX WHICH CONTAINED PAPERWORK FROM THE CALIFORNIA YOUTH AUTHORITY IN THE NAME OF LEJON PETERSON. ACCORDING SOME OF THESE PAPERS, PETERSON WAS RELEASED ON CYA PAROLE ON 1-29-98. HE WAS GIVEN A GREYHOUND BUS TICKET FROM CLAREMONT TO SAN FERNANDO AND WAS TO BE PICKED UP THERE TO BE PLACED IN THE MCGLORY GROUP HOME. SOME OF THE CONDITIONS OF PAROLE WERE SPELLED OUT INCLUDING GIVING HIS TRUE NAME AND DATE OF BIRTH TO ANY PEACE OFFICER REQUESTING THAT INFORMATION. HE WAS FORBIDDEN FROM ENTERING VENTURA COUNTY OR "RE-ESTABLISHING PLACEMENT" WITH HIS WIFE, [REDACTED].

ALSO FOUND IN THE TRUCK WERE TWO MULTI COLORED QUILTED COMFORTERS, TWO CAPS, SUNGLASSES, BASIC CIGARETTES AND A LIGHTER. A "PLANET HOLLYWOOD" JACKET WAS IN THE BACK SEAT OF THE TRUCK ALONG WITH A GREEN LONG SLEEVE UNDERSHIRT.

SGT. YOUNG MADE CONTACT WITH [REDACTED] [REDACTED], THE REGISTERED OWNER OF THE STOLEN TRUCK TO DETERMINE WHICH ITEMS OF PROPERTY

COPIES TO: <input type="checkbox"/> Det <input type="checkbox"/> CAU <input type="checkbox"/> Narc <input type="checkbox"/> Prob <input type="checkbox"/> Juv <input type="checkbox"/> CII <input type="checkbox"/> Officer <input type="checkbox"/> Watch Commander <input type="checkbox"/> OTHER			
DATE/TIME REPORTED	DATE/TIME OF REPORT	REPORTING OFFICER/ID NO./DIV./UNIT	APPROVED BY/ID NO.
	2-4-98	J. Thompson 1032 m/c	[Signature]



FOUND IN THE TRUCK BELONGED TO HER. REFER TO HIS REPORT FOR DETAILS.

AFTER SEARCHING THE TRUCK, SHERIFF'S FIREARMS EXAMINER [REDACTED]  
[REDACTED] WAS CALLED TO EXAMINE THE BULLET HOLES TO DETERMINE  
TRAJECTORY. REFER TO HIS REPORT FOR DETAILS.

COPIES TO:  Det  CAU  Narc  Prob  Juv  CII  Officer  Watch Commander  OTHER \_\_\_\_\_

DATE/TIME REPORTED

DATE/TIME OF REPORT

REPORTING OFFICER/ID NO./DIV./UNIT

APPROVED BY/ID NO.

2-4-98

J. Thompson 1032 m/c

SUPPLEMENTAL REPORT

RD# : 8050

RB#: 98-10973

ORIGINAL OFFENSE: 245(a)(1) P.C. 10851 V.C.

DATE & TIME OF INCIDENT: 2-2-98 at approximately 0421 hrs.

LOCATION OF OFFENSE: Country Inn 1405 Del Norte, Camarillo, Ca.

CODE: S NAME: Peterson, Lejon Desano

RACE: [REDACTED] SEX: [REDACTED]

D.O.B.: [REDACTED] AGE: [REDACTED]

ADDRESS: Transient

RES. PHONE: None BUS. PHONE: None

CASE DISPOSITION: Under investigation.

Notification and Response

On 2-2-98 at approximately 0735 hrs. I spoke to Sergeant Noguera on the telephone. I was told Captain Montijo wanted me to respond to an officer involved shooting at the Country Inn in Camarillo. While driving to the scene I contacted Captain Montijo via cellular phone for further instructions. Captain Montijo asked me to respond to Saint John's Hospital in Oxnard and locate the suspect. I arrived at Saint John's Hospital at approximately 0755 hours. I could not locate the suspect or deputies in the E.R. and hospital staff informed me the suspect was taken from the scene to Pleasant Valley Hospital in Camarillo. I drove to Pleasant Valley Hospital and arrived at approximately 0810 hours. I requested a B.I. Evidence Tech. to meet me at the hospital, and was told B.I. Tech. [REDACTED] was responding.

COPIES TO:  Det  CAU  Narc  Prob  Juv  CII  Officer  Watch Commander

DATE/TIME REPORTED  
2-2-98 0421

DATE/TIME OF REPORT  
2-2-98 1630

REPORTING OFFICER/ID NO./DIV./UNIT  
W. GENTRY 1682 S. DEPT. 5402

APPROVED BY/ID NO.  
[Signature]

Upon arrival in the Pleasant Valley E.R. I contacted Dr. Stanley [REDACTED], the attending physician. Dr. [REDACTED] told me the suspect was in x-ray. He examined the suspect and could find no indication of injury. Dr. [REDACTED] said he wanted to be safe and have the suspect transferred to Ventura County Medical Center in Ventura for observation.

B.I. Tech. J. [REDACTED] arrived at the hospital at approximately 0845 hours. I instructed her to obtain blood from the suspect, and I requested overall photos of the suspect. I also instructed [REDACTED] to take finger prints from the suspect and run the prints through the "Cal. I.D." system to assist in determining the suspect's identity.

Dr. [REDACTED] said the suspect gave the name "Jeffrey Reynolds" when he arrived at the hospital. RN [REDACTED], an E.R. nurse said the suspect told her his name was Jeffrey Reynolds. At approximately 0930 hours RN [REDACTED] drew blood (yellow top and purple top) from the suspect. RN [REDACTED] told me the suspect told her at about 0830 hours, he hurt from his shoulders to his hips, and he couldn't use his arms.

The suspect had a pair of black shorts and a black string type necklace with him. No other personal property was with the suspect at the hospital. I removed the blanket that was covering the suspect's body while he was laying on the hospital bed. I could see no visible injuries on his body. He had two small superficial scratches, one on the top of each hand. He was rolled onto his side by hospital staff and no injuries were visible on the backside of his body.

At approximately 0945 hours I identified myself to the suspect. He opened his eyes and looked

COPIES TO: <input type="checkbox"/> Det <input type="checkbox"/> CAU <input type="checkbox"/> Narc <input type="checkbox"/> Prob <input type="checkbox"/> Juv <input type="checkbox"/> CII <input type="checkbox"/> Officer <input type="checkbox"/> Watch Commander			
DATE/TIME REPORTED 2-2-98 0421	DATE/TIME OF REPORT 2-2-98 1630	REPORTING OFFICER/ID NO./DIV./UNIT W. GENTRY/182526P/710	APPROVED BY/ID NO. <i>[Signature]</i>

at me as I spoke to him. I asked the suspect if he could talk, and he shook his head from side to side indicating he could not. I asked him questions about his identity and place of residence. The suspect would not respond to any of my questions. At approximately 0948 hours I told the suspect he was under arrest for the assault on the police officers and for possessing a stolen vehicle.

At approximately 1000 hours Dr. [REDACTED] and hospital staff tried to have the suspect stand on his own. The suspect made no attempt at standing and told the doctor he was in to much pain. He then would no longer answer the doctor. While waiting for the transport ambulance to arrive, I stood next to the suspect's bed in the emergency room. As others who were around the suspect walked away, I remained quietly. I watched as the suspect opened his eyes a little and looked around to see who, if anyone, was around him. He saw me standing next to him and closed his eyes again. I asked him if he could hear me and he would not answer. At approximately 1020 hours EMT [REDACTED] and EMT [REDACTED] from Gold Coast Ambulance arrived to transport the suspect. A short time later the suspect was transported to Ventura County Medical Center in Ventura. The ambulance was followed to Ventura by Deputy Kostas who was assigned to stay with the suspect until deputies from the jail arrived to guard him.

At approximately 1145 hours B.I. Tech. [REDACTED] told me the finger prints from the suspect matched in the "Cal I.D." system. The finger prints from the suspect were computer matched to CII# [REDACTED]. I ran the CII number in the computer and found it came back to "Lejon Desano Peterson." I looked in the computer through local bookings and found Peterson had been booked into the Ventura County Jail several times. I obtained a prior booking photo from

COPIES TO: <input type="checkbox"/> Det <input type="checkbox"/> CAU <input type="checkbox"/> Narc <input type="checkbox"/> Prob <input type="checkbox"/> Juv <input type="checkbox"/> CII <input type="checkbox"/> Officer <input type="checkbox"/> Watch Commander			
DATE/TIME REPORTED 2-2-98 0421	DATE/TIME OF REPORT 2-2-98 1630	REPORTING OFFICER/ID NO./DIV./UNIT W. Gentry 162 SERP. 334	APPROVED BY/ID NO. <i>[Signature]</i>



the Sheriff's computerized booking system and found the person in the photo to be the same person we had in custody. It was obvious the suspect gave a fictitious name to the hospital staff. Peterson's criminal history showed him as a repeat felony offender, having been incarcerated in CYA and state prison.

At approximately 1200 hours I called the jail watch commander, Sergeant Alaire, and gave him Peterson's true name and personal information. I completed the proper booking and arrest paperwork and gave the paperwork to Sergeant Zaslove in the Main Jail.

COPIES TO: <input type="checkbox"/> Det <input type="checkbox"/> CAU <input type="checkbox"/> Narc <input type="checkbox"/> Prob <input type="checkbox"/> Juv <input type="checkbox"/> CII <input type="checkbox"/> Officer <input type="checkbox"/> Watch Commander <input type="checkbox"/> OTHER			
DATE/TIME REPORTED 2-2-98 0421	DATE/TIME OF REPORT 2-2-98 1630	REPORTING OFFICER/ID NO. DIV./UNIT W. Gentry 1682 Det. 711	APPROVED BY/ID NO. <i>[Signature]</i>

SUPPLEMENTAL REPORT

RD# : 8050

RB#: 98-98-10973

ORIGINAL OFFENSE: 245 (c) P.C., 10851 V.C.

CONNECTING REPORTS:

OXPD 98-02633

DATE & TIME OF INCIDENT: 2/2/98 0420 HOURS

LOCATION OF OFFENSE: "COUNTRY INN" 1405 DEL NORTE RD., CAMARILLO

CODE: (V-1)

NAME: HARA, MARK (DEPUTY SHERIFF)

RACE: W

SEX: M

D.O.B.:

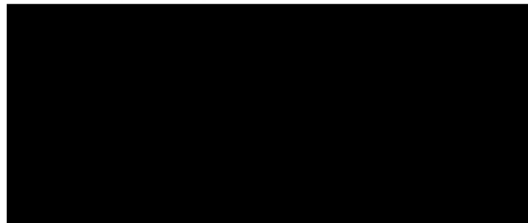
AGE:

ADDRESS: 800 S. VICTORIA AVE., VENTURA

RES. PHONE: N/A

BUS. PHONE: 654-2311

CASE DISPOSITION: OPEN INVESTIGATION



ON 2/2/98, I CALLED THE ABOVE NUMBER TRYING TO CONTACT "HANNON [REDACTED]". [REDACTED] IS THE WIFE OF [REDACTED] N [REDACTED]. A FEMALE NAMED [REDACTED] ANSWERED THE PHONE. THE INTERVIEW WAS RECORDED AND RETAINED. THE FOLLOWING IS A SUMMARY OF THAT CALL.

I IDENTIFIED MYSELF AND [REDACTED] SAID, "UH-OH, YOU'RE LOOKING FOR LEJON! WE ARE KEEPING OUR HOUSE LOCKED UP AND BOARDED UP!"

COPIES TO: <input type="checkbox"/> Det <input type="checkbox"/> CAU <input type="checkbox"/> Narc <input type="checkbox"/> Prob <input type="checkbox"/> Juv <input type="checkbox"/> CII <input type="checkbox"/> Officer <input type="checkbox"/> Watch Commander <input type="checkbox"/> OTHER <u>216198</u>			
DATE/TIME REPORTED	DATE/TIME OF REPORT	REPORTING OFFICER/ID NO./DIV./UNIT	APPROVED BY/ID NO.
	2-5-98	R. Young of 07 M/C	[Signature] 216198

██████████ SAID ██████████ HADN'T LIVE THERE SINCE LEJON WENT BACK TO PRISON A YEAR AGO. SHE SAID SHE IS LEJON'S COUSIN AND THIS WAS HER GRANDMOTHERS HOME. THE HOUSE USED TO BELONG TO LEJON'S MOTHER, UNTIL SHE DIED 4-5 YEARS AGO. LEJON AND ██████████ USED TO LIVE THERE ALSO. I ASKED WHERE ██████████ WAS STAYING NOW. ██████████ WANTED TO BE SURE I WAS A PEACE OFFICER BEFORE SHE WOULD TELL ME WHERE ██████████ WAS STAYING. THE FAMILY IS AFRAID THAT LEJON HAD ESCAPED AND WAS GOING AFTER ██████████. ██████████ HAD LEJON SERVED WITH DIVORCE PAPERS ON 1/16/98. THE FAMILY THOUGHT LEJON WAS GOING TO COME BACK TO OXNARD AND HURT ██████████.

██████████ SAID LEJON CALLED HER LAST THURSDAY (1/29/98). HE TOLD ██████████ THAT HIS MINISTER WAS ABLE TO GET HIM RELEASED TO A RELIGIOUS HOME. LEJON SAID HE WAS RELEASED FROM PRISON AND DROPPED OFF IN LOS ANGELES WITHOUT ANY MONEY. SHE SAID HIS STORY SOUNDED "REAL OFF". ██████████ SUSPECTED LEJON HAD ESCAPED. ██████████ SAID LEJON HINTED THAT HE NEEDED MONEY TO "GET OUT THERE" (TO THE OXNARD AREA). LEJON ALSO PLEADED WITH ██████████ NOT TO TELL ██████████ THAT HE WAS OUT OF PRISON. THIS MADE ██████████ THINK THAT LEJON WAS GOING TO TRY AND HURT ██████████.

██████████ DIDN'T WANT TO GIVE HIM ANY MONEY AND DIDN'T WANT TO BE BOTHERED BY LEJON, SO SHE HUNG UP ON HIM. SHE SAID LEJON CALLED BACK AGAIN, WANTING TO GET THE PHONE NUMBER FOR ██████████

COPIES TO:  Det  CAU  Narc  Prob  Juv  CII  Officer  Watch Commander  OTHER

DATE/TIME REPORTED

DATE/TIME OF REPORT  
2-5-98

REPORTING OFFICER/ID NO./DIV./UNIT  
R. Young 0807

APPROVED BY/ID NO.  
[Signature]

UNCLE. SHE DIDN'T GIVE IT TO HIM.

██████████ SAID THE POLICE CAME TO THE HOUSE ON SATURDAY (1/31/98) LOOKING FOR LEJON. THIS WAS WHERE LEJON WAS WHEN HIS PAROLE OFFICER CAME TO ARREST HIM A YEAR AGO. LEJON FLED FROM THE PAROLE OFFICER.

I ASSURED ██████████ THAT LEJON WAS CURRENTLY IN THE VENTURA COUNTY JAIL AND WOULD NOT BOTHER ANYONE IN HER FAMILY. ██████████ WAS THRILLED. SHE SAID, "OH, THANK GOD! WE'VE HAD EVERYTHING BOARDED UP THINKING HE WAS GOING TO BREAK IN!" ██████████ SAID HER GRANDMOTHER HAS BEEN SCARED EVER SINCE THEY HEARD LEJON WAS LOOSE.

I EXPLAINED THE CIRCUMSTANCES SURROUNDING LEJON'S ARREST. ██████████ SAID SHE THINKS LEJON WANTED TO BE KILLED. SHE SAID HE HAS TRIED TO COMMIT SUICIDE SEVERAL TIMES. HE TRIED TO COMMIT SUICIDE THE LAST TIME HE WAS IN TODD ROAD JAIL BY CUTTING HIS WRISTS.

I ASKED ██████████ IF LEJON HAD EVER FEIGNED INJURY. SHE SAID "LEJON IS CLASSIC FOR ALL THAT KIND OF STUFF". ██████████ SAID, "IF LEJON IS IN A SITUATION LIKE THAT, HE IS GOING TO PRETEND LIKE HE'S HURT AND THEN HE'S GOING TO HURT THE PERSON".

██████████ SAID SHE TALKED TO ██████████ ON THE PHONE LAST NIGHT (2/1/98). ██████████ HAD NOT HEARD FROM LEJON AT THAT TIME. ██████████ PROVIDED ME WITH A PHONE NUMBER WHERE ██████████ COULD BE REACHED.

COPIES TO: <input type="checkbox"/> Det <input type="checkbox"/> CAU <input type="checkbox"/> Narc <input type="checkbox"/> Prob <input type="checkbox"/> Juv <input type="checkbox"/> CII <input type="checkbox"/> Officer <input type="checkbox"/> Watch Commander <input type="checkbox"/> OTHER			
DATE/TIME REPORTED	DATE/TIME OF REPORT	REPORTING OFFICER/ID NO./DIV./UNIT	APPROVED BY/ID NO.
	2-5-98	R. Young 0803	[Signature]



SUPPLEMENTAL REPORT

RD# : 8050

RB#: 98-98-10973

ORIGINAL OFFENSE: 245 (c) P.C., 10851 V.C.

CONNECTING REPORTS:

OXPD 98-05633

DATE & TIME OF INCIDENT: 2/2/98 0420 HOURS

LOCATION OF OFFENSE: "COUNTRY INN" 1405 DEL NORTE RD., CAMARILLO

CODE: (V-1)

NAME: HARA, MARK (DEPUTY SHERIFF)

RACE: W

SEX: M

D.O.B.:

AGE:

ADDRESS: 800 S. VICTORIA AVE., VENTURA

RES. PHONE: N/A

BUS. PHONE: 654-2311

CASE DISPOSITION: OPEN INVESTIGATION

(S) LEJON DESSANO PETERSON

AT 1745 HOURS THIS DATE (2/2/98), (S) LEJON PETERSON WAS BROUGHT TO THE SHERIFF'S DETECTIVE DIVISION IN VENTURA FOR INTERVIEW. THE INTERVIEW WAS RECORDED AND RETAINED. THE FOLLOWING IS A SUMMARY OF THAT INTERVIEW.

PETERSON WAS HANDCUFFED AND SHACKLED IN A WHEELCHAIR. HE COMPLAINED OF PARALYSIS. PETERSON ALSO COMPLAINED THAT HE COULD NOT OPEN HIS EYES BECAUSE HE WAS "MACED" (SPRAYED WITH O.C.).

COPIES TO: <input type="checkbox"/> Det <input type="checkbox"/> CAU <input type="checkbox"/> Narc <input type="checkbox"/> Prob <input type="checkbox"/> Juv <input type="checkbox"/> CII <input type="checkbox"/> Officer <input type="checkbox"/> Watch Commander <input type="checkbox"/> OTHER <u>2/6/98</u>			
DATE/TIME REPORTED	DATE/TIME OF REPORT	REPORTING OFFICER/ID NO./DIV./UNIT	APPROVED BY/ID NO.
	2-3-98	R. Young 0807 n/c	<i>[Signature]</i>

PETERSON WAS NOT HIT BY GUNFIRE AND THE APPLICATION OF O.C. WAS DONE 12 HOURS EARLIER WHEN HE ORIGINALLY ASSAULTED THE DEPUTIES IN CAMARILLO.

PETERSON RECEIVED MEDICAL EXAMINATIONS AT BOTH PLEASANT VALLEY - ST. JOHNS HOSPITAL, AND VENTURA COUNTY MEDICAL CENTER, THAT LASTED FOR 10 HOURS. THEY COULD FIND NO REASON FOR PETERSON'S COMPLAINTS.

WE EXPLAINED TO PETERSON THAT WE WANTED TO HEAR HIS VERSION OF THE INCIDENT. PETERSON SAID, "I HAVE NOTHING AT ALL TO SAY". HE SAID HE WOULD NOT ANSWER ANY QUESTIONS, BUT HE WOULD LISTEN. DET. THOMPSON EXPLAINED THE SITUATION AND WHY WE WANTED TO TALK TO HIM. PETERSON SAID HE DIDN'T FEEL LIKE SAYING ANYTHING. HE DIDN'T FEEL TO COMFORTABLE ABOUT WHAT WAS GOING ON. HE SAID HE OVERHEARD AN OFFICER AT THE HOSPITAL SAYING THINGS ABOUT HIM THAT WEREN'T TRUE WHEN THE OFFICER THOUGHT PETERSON WAS UNCONSCIOUS. PETERSON SAID HE HAD NOTHING TO SAY UNTIL HE SPOKE TO A LAWYER.

THE INTERVIEW WAS TERMINATED PRIOR TO ADMONISHING PETERSON OF HIS RIGHTS BASED ON HIS REQUEST FOR A LAWYER.

COPIES TO: <input type="checkbox"/> Det <input type="checkbox"/> CAU <input type="checkbox"/> Narc <input type="checkbox"/> Prob <input type="checkbox"/> Juv <input type="checkbox"/> CII <input type="checkbox"/> Officer <input type="checkbox"/> Watch Commander <input type="checkbox"/> OTHER			
DATE/TIME REPORTED	DATE/TIME OF REPORT	REPORTING OFFICER/ID NO./DIV./UNIT	APPROVED BY/ID NO.
	2-3-98	R. Young #03	[Signature]

SUPPLEMENTAL REPORT

RD# : 8050

RB#: 98-98-10973

ORIGINAL OFFENSE: 245 (c) P.C., 10851 V.C.

CONNECTING REPORTS:

OXPD 98-02633

DATE & TIME OF INCIDENT: 2/2/98 0420 HOURS

LOCATION OF OFFENSE: "COUNTRY INN" 1405 DEL NORTE RD., CAMARILLO

CODE: (V-1)

NAME: HARA, MARK (DEPUTY SHERIFF)

RACE: W

SEX: M

D.O.B.:

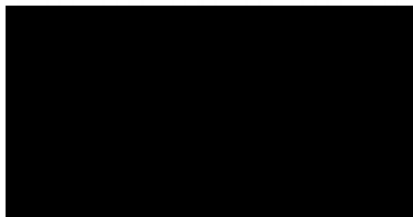
AGE:

ADDRESS: 800 S. VICTORIA AVE., VENTURA

RES. PHONE: N/A

BUS. PHONE: 654-2311

CASE DISPOSITION: OPEN INVESTIGATION



ON 2/2/98, I CONTACTED [REDACTED] [REDACTED] BY PHONE. I WAS TRYING TO GET IN TOUCH WITH (S) LEJON PETERSON'S WIFE, [REDACTED] [REDACTED]. [REDACTED] LIVES AT THE ABOVE ADDRESS WITH HER PARENTS. [REDACTED] IS [REDACTED]'S STEP-BROTHER. THE CALL WAS RECORDED AND RETAINED. THE FOLLOWING IS A SUMMARY OF THAT CALL.

COPIES TO: <input type="checkbox"/> Det <input type="checkbox"/> CAU <input type="checkbox"/> Narc <input type="checkbox"/> Prob <input type="checkbox"/> Juv <input type="checkbox"/> CII <input type="checkbox"/> Officer <input type="checkbox"/> Watch Commander <input type="checkbox"/> OTHER			
DATE/TIME REPORTED	DATE/TIME OF REPORT	REPORTING OFFICER/ID NO./DIV./UNIT	APPROVED BY/ID NO.
	2-3-98	R. YOUNG 0603 M/C	[Signature]

██████████ SAID A STATE PAROLE AGENT CALLED A FEW DAYS AGO AND SAID LEJON HAD BEEN RELEASED ON PAROLE. ██████████ AND HER CHILDREN HAVE BEEN HIDING AT HER GRANDMOTHER'S HOUSE SINCE SHE HEARD LEJON WAS OUT OF PRISON. ██████████ SAID THE WHOLE FAMILY WAS WORRIED ABOUT LEJON'S RELEASE, EVEN THOUGH HIS TERMS OF PAROLE DICTATE THAT HE STAY AWAY FROM ██████████ AND THE KIDS. AS FAR AS ██████████ KNOWS, LEJON DID NOT COME TO THE HOUSE AND HASN'T CALLED.

ALL THE NEIGHBORS WERE ASKED TO KEEP AN EYE OUT FOR LEJON. ██████████ SAID HE IS VERY RELIEVED THAT LEJON IS BACK IN JAIL. HE CALLS LEJON A "TOTAL LOSER". HE SAID HE HOPES LEJON STAYS IN JAIL FOREVER AND THAT LEJON DOES NOT BELONG IN SOCIETY.

██████████ SAID HE WOULD CONTACT ██████████ AND HAVE HER CALL ME.

COPIES TO: <input type="checkbox"/> Det <input type="checkbox"/> CAU <input type="checkbox"/> Narc <input type="checkbox"/> Prob <input type="checkbox"/> Juv <input type="checkbox"/> CII <input type="checkbox"/> Officer <input type="checkbox"/> Watch Commander <input type="checkbox"/> OTHER _____			
DATE/TIME REPORTED	DATE/TIME OF REPORT	REPORTING OFFICER/ID NO./DIV./UNIT	APPROVED BY/ID NO.
	2-3-98	R. Young 0203 M/C	<i>[Signature]</i>



SUPPLEMENTAL REPORT

RD# : 8050

RB#: 98-98-10973

ORIGINAL OFFENSE: 245 (c) P.C., 10851 V.C.

CONNECTING REPORTS:

OXPD 98-02633

DATE & TIME OF INCIDENT: 2/2/98 0420 HOURS

LOCATION OF OFFENSE: "COUNTRY INN" 1405 DEL NORTE RD., CAMARILLO

CODE: (V-1)

NAME: HARA, MARK (DEPUTY SHERIFF)

RACE: W

SEX: M

D.O.B.:

AGE:

ADDRESS: 800 S. VICTORIA AVE., VENTURA

RES. PHONE: N/A

BUS. PHONE: 654-2311

CASE DISPOSITION: OPEN INVESTIGATION

ON 2/4/98, I CONTACTED [REDACTED] [REDACTED] BY PHONE. [REDACTED] IS THE WIFE OF (S) LEJON PETERSON. THE CALL WAS RECORDED AND RETAINED. THE FOLLOWING IS A SUMMARY OF THAT CALL.

[REDACTED] SAID SHE AND (S) LEJON PETERSON HAVE BEEN MARRIED FOR APPROX. FOUR YEARS. THEY HAVE THREE CHILDREN. SHE IS IN THE PROCESS OF DISSOLVING THE MARRIAGE. [REDACTED] HAS NOT TALKED TO LEJON SINCE

COPIES TO:  Det  CAU  Narc  Prob  Juv  CII  Officer  Watch Commander  OTHER

DATE/TIME REPORTED

DATE/TIME OF REPORT  
2-5-98

REPORTING OFFICER/ID NO./DIV./UNIT  
R. Young 0807 m/c

APPROVED BY/ID NO.  
[Signature] 216198

LAST APRIL. HE NEVER CALLED THE WHOLE TIME HE WAS IN PRISON. EVEN THAT TIME IN APRIL, LEJON DIDN'T CALL HER. [REDACTED] HAPPENED TO BE AT LEJON'S RELATIVES HOUSE WHEN HE CALLED THERE.

[REDACTED] SAID SHE JUST DOESN'T UNDERSTAND WHY DEJON DOES THE THINGS HE DOES. SHE HAS TRIED TO HELP HIM WITHOUT SUCCESS. SHE SAID LEJON HAS ALWAYS RUN AWAY FROM HIS PROBLEMS. LEJON'S MOTHER NEVER TAUGHT HIM RIGHT FROM WRONG. WHEN HE GOT INTO TROUBLE, SHE ACCEPTED HIS EXPLANATION WITHOUT QUESTION. HE REALLY LOVED HIS MOTHER AND WAS DEVASTATED WHEN SHE DIED FIVE YEARS AGO. AFTER HER DEATH, LEJON DIDN'T HAVE ANYONE TO CONFIDE IN. HE HASN'T DEALT WITH HIS MOTHERS DEATH AND HE HASN'T DEALT WITH THE REST OF HIS PROBLEMS.

[REDACTED] SAID LEJON HAS NO MEDICAL PROBLEMS SHE IS AWARE OF. SHE THINKS LEJON HAS PSYCHOLOGICAL PROBLEMS AND NEEDS HELP. SHE SAID SHE BELIEVES LEJON TRIED TO COMMIT SUICIDE THE LAST TIME HE WAS IN THE TODD ROAD JAIL.

[REDACTED] SAID SHE SENT DIVORCE PAPERS TO THE PRISON TO HAVE SERVED ON LEJON ON 1/16/98. SHE HAS NOT RECEIVED A RECEIPT INDICATING THAT LEJON WAS EVER SERVED.

COPIES TO: <input type="checkbox"/> Det <input type="checkbox"/> CAU <input type="checkbox"/> Narc <input type="checkbox"/> Prob <input type="checkbox"/> Juv <input type="checkbox"/> CII <input type="checkbox"/> Officer <input type="checkbox"/> Watch Commander <input type="checkbox"/> OTHER			
DATE/TIME REPORTED	DATE/TIME OF REPORT	REPORTING OFFICER/ID NO./DIV./UNIT	APPROVED BY/ID NO.
	2-5-98	R. Yane 0803 m/c	[Signature]

STATE OF CALIFORNIA  
DEPARTMENT OF CALIFORNIA HIGHWAY PATROL  
VEHICLE REPORT  
GHP 180 (REV. 7-97) OPI 061

NOTE: GHP 180 IS FURNISHED TO ALL PEACE OFFICERS BY THE CALIFORNIA HIGHWAY PATROL.

REPORTING DEPARTMENT: **OXFORD POLICE** LOCATION CODE: **5604** DATE/TIME OF REPORT: **1-31-98/0715** NOTICE OF STORED VEHICLE DELIVERED PERSONALLY:  FILE NO.: **98-05633**

ODOMETER READING: [REDACTED] VIN CLEAR IN STATE:  YES  NO DATE/TIME DISPATCH NOTIFIED: **1-31-98/06** LOG NO.: **24**

YEAR: **98** MAKE: **FORD** MODEL: **LARIAT** BODY TYPE: **P/U** COLOR: **GRN** CHG: **TWO** MONTH/YEAR: **10/98** STATE: **CA**

ENGINE NO.: [REDACTED] VALUATION BY:  OFFICER  OWNER

LEGAL OWNER: [REDACTED]

ON SAME AS PD  OFFICER  OWNER

STORED  IMPROUNDER  RELEASED  RECOVERED VEHICLE/COMPONENT

TOWING / STORAGE CONCERN: [REDACTED] STORAGE AUTHORITY / REASON: [REDACTED]

TOWED TO / STORED AT: [REDACTED] AIRBAG:  YES  NO DRIVEABLE:  YES  NO VIN SWITCHED?  YES  NO

CONDITION	YES	NO	ITEMS	YES	NO	ITEMS	YES	NO	ITEMS	YES	NO	TIRES / WHEELS	CONDITION
WRECKED			SEAT (FRONT)			REPRODUCTION			CAMPER			LEFT FRONT	
BURNED MILK, OIL, GREASE, ETC.			SEAT (REAR)			ALT / GENERATOR			VESSEL AS LOAD			RIGHT FRONT	
VANDALIZED			RADIO			BATTERY			FIREARMS			LEFT REAR	
ENGL / TRANS. STRIP			TAPE DECK			DIFFERENTIAL			OTHER			RIGHT REAR	
MISC. PARTS STRIP			TAPES			TRANSMISSION						SPARE	
BODY METAL STRIP			OTHER RADIO			AUTOMATIC						MUD CAPS	
SURGICAL STRIP, PER 4910 VC			IGNITION KEY			MANUAL						SPECIAL WHEELS	

RELEASE VEHICLE TO:  R/O OR AGENCY  AGENCY HOLD  22852 VC GARAGE PRINCIPAL / AGENT STORING VEHICLE (SIGNATURE): [REDACTED] DATE / TIME: [REDACTED]

NAME OF PERSON / AGENCY AUTHORIZING RELEASE: [REDACTED] LD-NO: [REDACTED] DATE: **01 JUN 98** CERTIFICATION: I, THE UNDERSIGNED, DO HEREBY CERTIFY THAT I AM LEGALLY AUTHORIZED AND ENTITLED TO TAKE POSSESSION OF THE ABOVE DESCRIBED VEHICLE.

SIGNATURE OF PERSON AUTHORIZING RELEASE: [REDACTED] SIGNATURE OF PERSON TAKING POSSESSION: [REDACTED]

STOLEN VEHICLE COMPONENT  EMBEZZLED VEHICLE  PLATE(S) REPORT

DATE / TIME OF OCCURRENCE: **1-31-98/0657** DATE / TIME REPORTED: **1-31-98/0657**

DATE / TIME: **1-31-98/0657**

I CERTIFY OR DECLARE UNDER PENALTY OF PERJURY UNDER THE LAWS OF THE STATE OF CALIFORNIA THAT THE FOREGOING IS TRUE AND CORRECT.

(LIST PROPERTY, TOOLS, VEHICLE DAMAGE, ARRESTS)

DRIVER'S NAME: [REDACTED] ARRESTED / SECTION:  YES  NO REPORTED BY: [REDACTED] CARGO / TYPE?  YES  NO VALUE \$: [REDACTED] BILL OF LADING ATTACHED:

R/O TURNED TRUCK ON AND LET IT WARM UP ON DRIVEWAY, R/O WENT INSIDE HOUSE TO GET CHILDREN AND PROPERTY; WHEN SHE CAME BACK OUT, THE TRUCK WAS GONE. THE TRUCK HAS BARBER FORD PAPER PLATES AT THIS TIME. KEYS WERE LEFT IN TRUCK AND DOORS WERE UNLOCKED. P/U HAD FLARE SIDE BODY STYLE ON BED.



SIGNATURE OF OFFICER TAKING REPORT: **B B 4408** ID. NO.: **1442** SUPERVISOR: [REDACTED] REQUIRED NOTICES SENT TO REGISTERED AND LEGAL OWNERS PER 22852 VC?  YES  NO DATE NOTIFIED: [REDACTED]

VSO RB# 98-10973



BEAT: 8A01 RD 8050

DEPARTMENT OF CALIFORNIA HIGHWAY PATROL  
VEHICLE REPORT

CHP 180 (Rev 5-93) OPI 065

NOTE: CHP 180 IS FURNISHED TO ALL PEACE OFFICERS BY THE CALIFORNIA HIGHWAY PATROL

REPORTING DEPARTMENT VENTURA CTY. SHERIFF		LOCATION CODE 5600	DATE / TIME OF REPORT 02/02/98/1025		NOTICE OF STORED VEHICLE DELIVERED PERSONALLY <input type="checkbox"/>	FILE NUMBER 98-10973
LOCATION TOWED / STOLEN FROM 1405 DEL NORTE BLVD., CARMARILLO			ODOMETER READING 4125		VIN CLEAR IN SYS <input type="checkbox"/> YES <input checked="" type="checkbox"/> NO	DATE / TIME DISPATCH NOTIFIED 02/02/98
YEAR 98	MAKE FORD	MODEL F-150	BODY TYPE P/U	COLOR GRN	LIC CLEAR IN SYS <input type="checkbox"/> YES <input checked="" type="checkbox"/> NO	MONTH / YEAR 10/98
ENGINE NUMBER				APPRAISED VALUE / OWNER VALUATION <input type="checkbox"/> 0-300 <input type="checkbox"/> 301-2500 <input type="checkbox"/> 2500+ <input type="checkbox"/> \$		
LEGAL OWNER				SAME		

STORED  IMPOUNDED  RELEASED  RECOVERED VEHICLE COMPONENT

TOWING / STORAGE CONCERN (NAME, ADDRESS, PHONE)  
JIM'S TOW 337 N. DAWSON DR, CARMARILLO

STORAGE AUTHORITY AND REASON  
22655.5 (A)(B) / USED TO COMMIT CRIME / EVIDENCE OF CRIME

CONDITION	YES	NO	ITEMS	YES	NO	ITEMS	YES	NO	TIRES / WHEELS	CONDITION	ITEMS	IDENTIFICATION NUMBER
WRECKED			BEAT (FRONT)			REGISTRATION			LEFT FRONT	GOOD	CAMPER	
BURNED			REAR (REAR)			ALT / GENERATOR			RIGHT FRONT		CAPOO	
VANDALIZED			RADIO			BATTERY			LEFT REAR		VESSEL AS LOAD	
ENG / TRANS STRIP			TAPE DECK			DIFFERENTIAL			RIGHT REAR		FIREARMS	
MISC. PARTS STRIP			TAPES			TRANSMISSION			SPARE		OTHER	
BODY METAL STRIP			OTHER RADIO			AUTOMATIC			HUB CAPS			
VIN SWITCH			IGNITION KEY			MANUAL			SPECIAL WHEELS			

RELEASE VEHICLE  R/O AGENT  AGENCY HOLD  22650.3 VC

NAME OF PERSON AUTHORIZING RELEASE  
SIGNATURE OF PERSON AUTHORIZING RELEASE  
SIGNATURE OF PERSON TAKING POSSESSION

STOLEN VEHICLE / COMPONENT  EMBEZZLED VEHICLE  PLATE(S) REPORT

DATE AND TIME OF OCCURRENCE  
DATE AND TIME REPORTED  
NAME OF REPORTING PARTY  
DRIVERS LICENSE NUMBER AND STATE  
LAST DRIVER OF VEHICLE  
ADDRESS  
TELEPHONE

I CERTIFY OR DECLARE UNDER PENALTY OF PERJURY UNDER THE LAWS OF THE STATE OF CALIFORNIA THAT THE FOREGOING IS TRUE AND CORRECT.

SIGNATURE OF PERSON MAKING REPORT  
DATE

REMARKS  
[LIST PROPERTY, TOOLS, VEHICLE DAMAGE, ARRESTS.]

REPORTED BY:  
SUSPECT WAS ARRESTED AT SCAGIE.  
VEHICLE RECOVERED STOLEN.  
REFER TO OXN. P.D. RPT. # 98-2633

TELETYPE # 3429 NOTIFIED @ 1230 HRS.

FAXED @ 1235 HRS.

SIGNATURE OF OFFICER TAKING REPORT  
I.D. NUMBER  
SUPERVISOR  
REQUIRED NOTICES SENT TO REGISTERED AND LEGAL OWNERS PER 22652 CVC  YES  NO  
DATE NOTIFIED  
2-2-98



**STOLEN / EMBEZZLED NARRATIVE**

1. AREA RURAL / URBAN \_\_\_\_\_ 2. TAKEN FROM STREET / PARKING LOT / GARAGE / DRIVEWAY / OTHER \_\_\_\_\_ 3. REGISTRATION IN VEHICLE? YES / NO \_\_\_\_\_

4. WAS NEIGHBORHOOD CHECKED FOR VEHICLE, WITNESSES, CLUES, OTHER CRIMES YES / NO \_\_\_\_\_

PAYMENTS CURRENT? YES / NO \_\_\_\_\_ 6. DOORS LOCKED? YES / NO \_\_\_\_\_ 7. KEYS IN VEHICLE? YES / NO \_\_\_\_\_ 8. ALL KEYS ACCOUNTED FOR? YES / NO \_\_\_\_\_

WHEN WAS VEHICLE LAST SERVICED? \_\_\_\_\_ 10. WHERE? \_\_\_\_\_ 11. IS THIS THE USUAL MECHANIC? YES / NO \_\_\_\_\_

12. RECENTLY LEFT IN PARKING GARAGE, PARKING VALET SERVICE? YES / NO \_\_\_\_\_ 13. IF YES, WHERE: \_\_\_\_\_

14. VEHICLE EQUIPPED WITH ORIGINAL ENGINE? YES / NO \_\_\_\_\_ 15. ORIGINAL TRANSMISSION? YES / NO \_\_\_\_\_ 16. ORIGINAL PAINT? YES / NO \_\_\_\_\_

17. IF ANSWER TO 14, 15, 16 IS NO, PROVIDE ADDITIONAL INFORMATION, SERIAL NUMBER, ORIGINAL COLOR, ETC. \_\_\_\_\_

18. HAS VEHICLE BEEN PREVIOUSLY INVOLVED IN AN ACCIDENT? YES / NO \_\_\_\_\_ 19. IF YES, HAS DAMAGE BEEN FIXED YES / NO \_\_\_\_\_ 20. PARTS DAMAGED: \_\_\_\_\_

20. FACTORY EQUIPPED RADIO YES / NO \_\_\_\_\_ 21. IF NO, MAKE AND SERIAL NUMBER: \_\_\_\_\_ 22. DOES VEHICLE HAVE LOCKING GAS CAP? YES / NO \_\_\_\_\_

23. IS VEHICLE FULLY INSURED? YES / NO \_\_\_\_\_ 24. NAME AND ADDRESS OF INSURANCE COMPANY: \_\_\_\_\_

25. NAME AND ADDRESS OF NEAREST RELATIVE NOT LIVING WITH YOU: \_\_\_\_\_

26. IDENTIFYING MARKS, BUMPER STICKERS, ADD ON EQUIPMENT, ETC. \_\_\_\_\_

27. SUSPECT NAME: \_\_\_\_\_ DRIVERS LICENSE NUMBER: \_\_\_\_\_ ADDRESS: \_\_\_\_\_

HEIGHT \_\_\_\_\_ WEIGHT \_\_\_\_\_ EYES \_\_\_\_\_ HAIR \_\_\_\_\_ MSC. \_\_\_\_\_

**RECOVERY NARRATIVE**

28. NAME, DATE AND CASE NUMBER OF REPORTING AGENCY: VENTURA CTY. SHERIFF 198-10973 / 02/02/98

29. WAS NEIGHBORHOOD CHECKED FOR VEHICLE, WITNESSES, CLUES, OTHER CRIMES? YES /  NO

30. AREA RECOVERED: URBAN /  RURAL 31. ANY EVIDENCE LOCATED? YES /  NO 32. HAVE MISSING, IDENTIFIABLE PARTS BEEN ENTERED IN SVS? YES /  NO

**COMPONENT RECOVERY**

33. DESCRIPTION: FORD / F-150 / P/U 34. SERIAL NUMBER: 5R3774 (LIC #)

**NARRATIVE**

DURING THE EARLY MORNING HOURS ON 02/02/98, VENTURA COUNTY SHERIFF'S DEPUTIES CONFRONTED A SUSPECT SEATED INSIDE THE STOLEN P/U TRUCK. (REFER TO DEPUTIES REPORT #98-10973). THE TRUCK WAS RECOVERED AND STORED (AGENCY HOLD) AS EVIDENCE TO A CRIME. (TOWED PER AUTHORITY SECTION 22655.5 (a)(1) V.C.

CONTACT SGT. BOB YOUNG OF THE VENTURA COUNTY S.O. AT: (805) 654-2344 REGARDING VEHICLE NSPO.

1 R.D. 8050	BEAT 28A	3 CASE NUMBER 98-10973
----------------	-------------	---------------------------

4  INCIDENT  SUPPLEMENTAL  BICYCLE  CASE CLEARED  
 PROPERTY  VEHICLE  MISSING PERSON  OTHER

5 DOMESTIC VIOLENCE  
 a. Domestic Violence  c. D.V. Elderly  
 b. Weapon Involved  d. D.V. Elderly w/Weapon  
 D.V. WEAPON CATEGORY  
 e. Firearm  
 f. Knife or Cutting Instrument  
 g. Other Dangerous Weapon  
 h. Personal Weapon (hands, fists, feet, etc.)

ORIGINAL INCIDENT/OFFENSE 245/10851  
 7 RECLASSIFY TO  
 8 CONNECTING REPORTS

9 DATE/TIME OF INCIDENT 2/2/98 0415  
 10 LOCATION OF INCIDENT COUNTRY INN CAMARILLO

11 CODE 12 Name (Last, First, Middle, Gen)/FIRM NAME VI HARA MARK (DEP. SHERIFF)  
 13 RACE W 14 SEX M 15 HT 16 WT 17 BUILD 18 HAIR 19 EYES 20 DOB 21 AGE

22 RESIDENCE ADDRESS 800 S. VICTORIA AVE. VENTURA CA  
 CITY STATE ZIP RESIDENCE PHONE 23 BUSINESS 24 (805) 654-2311

BICYCLE INFORMATION 25 CLASSIFICATION  FOUND  STOLEN  RECOVERED  
 26 MAKE 27 MODEL 28 FRAME NO.

29 TYPE  Boy's  Girl's  Standard  Stingray  
 30 WHEEL DIA. 31 TIRES  REGULAR  HIGH PRESSURE 32 COLOR(s)

33 SEAT  BANANA  STANDARD 34 FENDERS  FRONT  REAR  
 35 LICENSE NO. 36 ADDITIONAL EQUIPMENT 37 VALUE

38 LOCATION PROPERTY BOOKED 39 GEAR SPEED

40 PROPERTY CLASSIFICATION CODES  
 SP - Stolen Property  
 LP - Lost Property  
 SK - Safekeeping  
 RC - Recovered Property  
 FP - Found Property  
 E - Evidence  
 PROPERTY CODES  
 A - Currency/Notes  
 B - Jewelry/Precious Metals  
 C - Clothing/Furs  
 D - Vehicle  
 E - Office Equipment  
 F - TV/Radio/Cameras  
 G - Firearms  
 H - Household Goods  
 I - Consumable Goods  
 J - Livestock  
 K - Bicycles  
 L - Sporting Goods  
 M - Auto Parts  
 N - Tools  
 Z - Miscellaneous

41 CODE	42 ITEM	43 QTY.	44 ARTICLE NAME	45 BRAND/MAKE MANUFACTURER	46 MODEL NAME OR NUMBER	47 MISC. DESCRIPTION	48 IDENTIFICATION NUMBER	49 VALUE
---------	---------	---------	-----------------	----------------------------	-------------------------	----------------------	--------------------------	----------

NARRATIVE: (Include Actions and Conversations by Suspects and Victims and Other Events Not Previously Covered)

E	D	1	1	1998 FORD PICK UP TRUCK	VIN	[REDACTED]		
THE ABOVE VEHICLE WAS RELEASED TO THE LEGAL / REGISTERED OWNER ON 2-5-98 [REDACTED]								

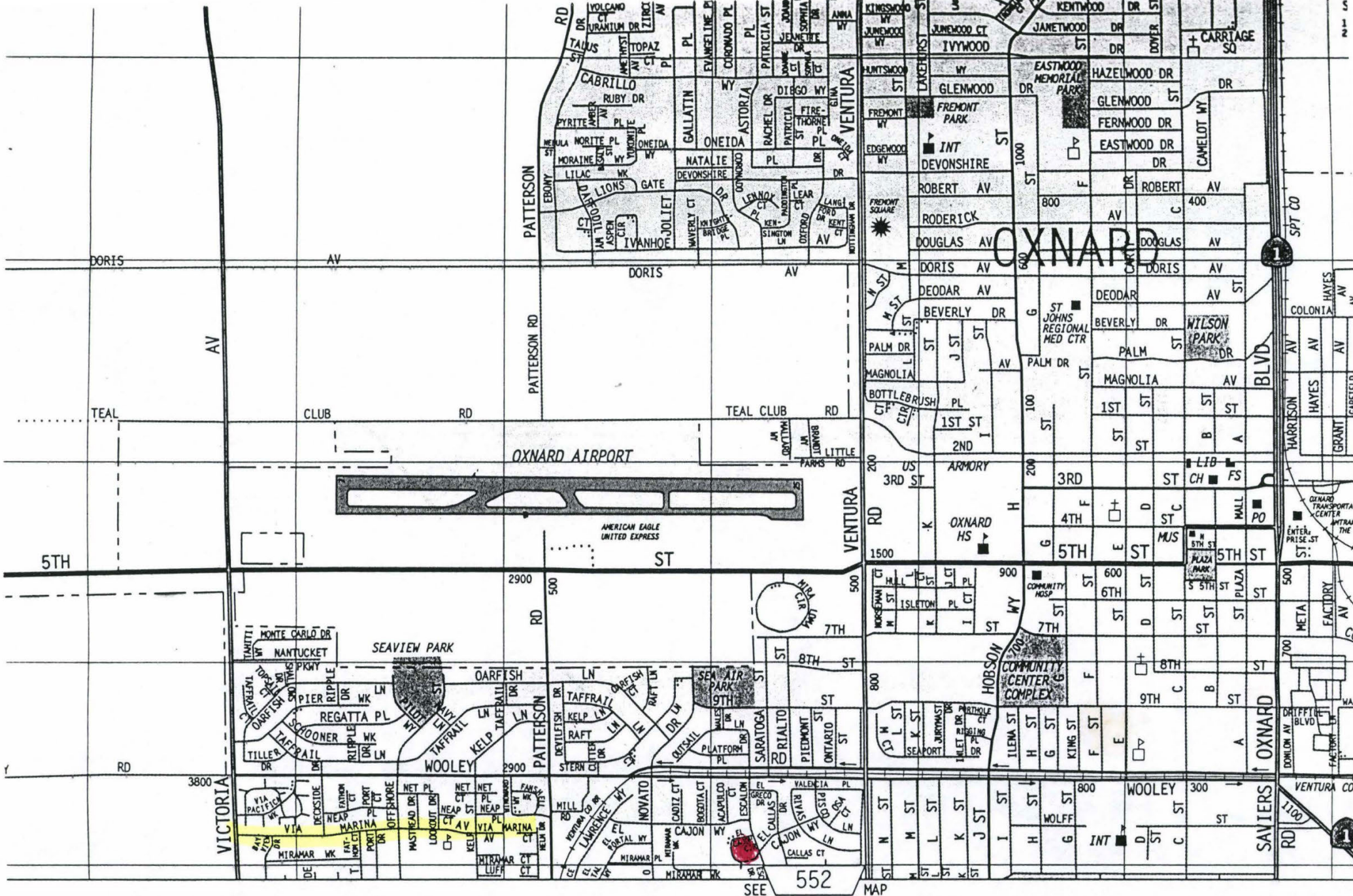
51 NUMBER OF ARRESTEES 52 ASSIGNED TO: 53 ASSIGNED BY:

CASE DISPO:  Inactive  Unfounded  
 CLOSED BY:  Arr. & Pros.  Comp. Refuses to Pros.  Comp. Refused by DA  
 Pros. Other Offense  Occurred Other Jurisdiction  Turned Over to Other Jurisdiction  
 Death of Suspect  OTHER

55 COPIES TO:  Det  CAU  Narc  Press  Juv  CII  Area  Court  Other 2/6/98

56 DATE/TIME REPORTED 57 DATE/TIME OF REPORT 2-5-98 58 REPORTING OFFICER/ID NO./DIV./UNIT R. YOUNG 0803 M/C 59 APPROVED BY/ID NO. [Signature]





**OXNARD**

OXNARD AIRPORT

AMERICAN EAGLE UNITED EXPRESS

SEAVIEW PARK

SEA AIR PARK 9TH

COMMUNITY CENTER COMPLEX

COMMUNITY HOSP

INT DEVONSHIRE

FREMONT PARK

EASTWOOD MEMORIAL PARK

HAZELWOOD DR

GLENWOOD ST

FERNWOOD DR

EASTWOOD DR

DOUGLAS AV

DEODAR AV

BEVERLY DR

PALM DR

MAGNOLIA AV

1ST ST

2ND ST

3RD ST

4TH ST

5TH ST

6TH ST

7TH ST

8TH ST

9TH ST

WOOLEY ST

SAVIERS RD

VENTURA CO

1100

SPT CO

HAYES AV

COLONIA AV

HAYES AV

GRANT AV

OXNARD TRANSPORTATION CENTER

ENTERPRISE ST

FACTORY AV

META AV

DRIFTFIELD BLVD

WARRIOR AV

VENTURA CO

1100

DORIS AV

TEAL CLUB RD

5TH ST

RD

VICTORIA

3800

DE

T

MIRAMAR

WOLFF

INT

D

C

ST

SAVIERS

RD

1100

2900

500

RD

WOOLEY

2900

PATTERSON

RD

MILL

RD

LAURENCE

WY

NOVATO

RD

CAJON

WY

MIRAMAR

2900

500

RD

WOOLEY

2900

PATTERSON

RD

MILL

RD

LAURENCE

WY

NOVATO

RD

CAJON

WY

MIRAMAR

2900

500

RD

WOOLEY

2900

PATTERSON

RD

MILL

RD

LAURENCE

WY

NOVATO

RD

CAJON

WY

MIRAMAR

2900

500

RD

WOOLEY

2900

PATTERSON

RD

MILL

RD

LAURENCE

WY

NOVATO

RD

CAJON

WY

MIRAMAR

SEE 552

MAP



SUPPLEMENTAL REPORT

RD# : 8050

RB#: 98-98-10973

ORIGINAL OFFENSE: 245 (c) P.C., 10851 V.C.

CONNECTING REPORTS:

OXPD 98-02633

DATE & TIME OF INCIDENT: 2/2/98 0420 HOURS

LOCATION OF OFFENSE: "COUNTRY INN" 1405 DEL NORTE RD., CAMARILLO

CODE: (V-1)

NAME: HARA, MARK (DEPUTY SHERIFF)

RACE: W

SEX: M

D.O.B.:

AGE:

ADDRESS: 800 S. VICTORIA AVE., VENTURA

RES. PHONE: N/A

BUS. PHONE: 654-2311

CASE DISPOSITION: OPEN INVESTIGATION



ON 2/2/98, I CONTACTED (W) [REDACTED] [REDACTED] AT ST. JOHN'S HOSPITAL IN OXNARD. MRS. [REDACTED] IS THE OWNER OF THE STOLEN TRUCK IN WHICH (S) LEJON PETERSON ASSAULTED DEPUTIES LOES, HARA, AND TORPEY.

[REDACTED] SAID HER TRUCK WAS STOLEN FROM HER DRIVEWAY AT APPROX. 0700 HOURS ON 1/31/98 (OXPD REPORT #98-2633). SHE WENT OUT AND STARTED THE TRUCK TO GET IT WARM FOR HER CHILDREN. WHEN SHE CAME BACK OUT

COPIES TO:  Det  CAU  Narc  Prob  Juv  CII  Officer  Watch Commander  OTHER *2/6/98*

DATE/TIME REPORTED

DATE/TIME OF REPORT  
*2-3-98*

REPORTING OFFICER/ID NO./DIV./UNIT  
*R. YANC OFC M/C*

APPROVED BY/ID NO.  
*[Signature]*



5 MINUTES LATER THE TRUCK WAS GONE. SHE SAID NO ONE HAD PERMISSION TO TAKE THE TRUCK AND HAS NO IDEA WHO TOOK IT.

I EXPLAINED THE CIRCUMSTANCES UNDER WHICH HER TRUCK WAS RECOVERED AND ASKED HER PERMISSION TO SEARCH IT. SHE READ AND SIGNED A SHERIFF'S DEPARTMENT CONSENT SEARCH FORM.

COPIES TO:  Det  CAU  Narc  Prob  Juv  CII  Officer  Watch Commander  OTHER

DATE/TIME REPORTED

DATE/TIME OF REPORT

REPORTING OFFICER/ID NO./DIV./UNIT

APPROVED BY/ID NO.

2-3-98

R. Yank of 03 M/C

*[Signature]*



**VENTURA COUNTY SHERIFF'S  
DEPARTMENT  
MAJOR CRIMES BUREAU**

CONSENSUAL SEARCH

1. We would like your permission to search your:

- Residence at \_\_\_\_\_
- Automobile, 1998 F150 FORD VIN [REDACTED]
- Other, \_\_\_\_\_

For items relating to the matter of: ASSAULT ON DERTIER  
98-10973

2. You have the right to refuse to give such consent and your refusal cannot be used against you in a court of law.

3. You can also require that we seek a search warrant before we conduct such a search. A judge may decide that there is not sufficient evidence to justify giving us a search warrant.

4. Having in mind the foregoing, will you give us permission to conduct this search.

YES

NO

Signature \_\_\_\_\_

Date 2/2/98

Witnesses \_\_\_\_\_

2/2/98

SUPPLEMENTAL REPORT

RD# : 8050

RB#: 98-98-10973

ORIGINAL OFFENSE: 245 (c) P.C., 10851 V.C.

CONNECTING REPORTS:

OXPD 98-02633

DATE & TIME OF INCIDENT: 2/2/98 0420 HOURS

LOCATION OF OFFENSE: "COUNTRY INN" 1405 DEL NORTE RD., CAMARILLO

CODE: (V-1)

NAME: HARA, MARK (DEPUTY SHERIFF)

RACE: W

SEX: M

D.O.B.:

AGE:

ADDRESS: 800 S. VICTORIA AVE., VENTURA

RES. PHONE: N/A

BUS. PHONE: 654-2311

CASE DISPOSITION: OPEN INVESTIGATION

ON 2/4/97, I RECONTACTED [REDACTED] [REDACTED] BY PHONE AND ASKED HER ABOUT ITEMS WE RECOVERED IN HER STOLEN TRUCK. OF THESE ITEMS, [REDACTED] SAID THE MAROON BACKPACK, CIGARETTES, TWO LIGHTERS, TWO BLANKETS AND PERSONAL PAPERS BELONGING TO "LEJON PETERSON" WERE NOT HERS.

[REDACTED] SAID SHE ALSO HAD A BLUE, WATER REPELLANT, "PATAGONIA" STYLE JACKET IN THE TRUCK THAT WAS NOT INCLUDED ON MY LIST. I TOLD HER IT WAS NOT IN THE TRUCK. (S) LEJON PETERSON WAS WEARING A JACKET AS DESCRIBED ABOVE WHEN HE WAS ARRESTED IN [REDACTED]'S TRUCK. THE

COPIES TO: <input type="checkbox"/> Det <input type="checkbox"/> CAU <input type="checkbox"/> Narc <input type="checkbox"/> Prob <input type="checkbox"/> Juv <input type="checkbox"/> CIT <input type="checkbox"/> Officer <input type="checkbox"/> Watch Commander <input type="checkbox"/> OTHER <u>216198</u>			
DATE/TIME REPORTED	DATE/TIME OF REPORT	REPORTING OFFICER/ID NO./DIV./UNIT	APPROVED BY/ID NO.
	2-5-98	R. Yance of 03 n/c	[Signature] M/CAMES

JACKET WAS CUT OFF OF PETERSON BY PARAMEDICS AND WAS COLLECTED WITH THE REST OF HIS CLOTHING AS EVIDENCE AT THE SCENE.

COPIES TO:  Det  CAU  Narc  Prob  Juv  CII  Officer  Watch Commander  OTHER

DATE/TIME REPORTED

DATE/TIME OF REPORT

REPORTING OFFICER/ID NO./DIV./UNIT

APPROVED BY/ID NO

2-5-98

R. YANC ORO M/C

[Signature]



SUPPLEMENTAL REPORT

RD# : 8050

RB#: 98-98-10973

ORIGINAL OFFENSE: 245 (c) P.C., 10851 V.C.

CONNECTING REPORTS:

OXPD 98-02633

DATE & TIME OF INCIDENT: 2/2/98 0420 HOURS

LOCATION OF OFFENSE: "COUNTRY INN" 1405 DEL NORTE RD., CAMARILLO

CODE: (V-1)

NAME: HARA, MARK (DEPUTY SHERIFF)

RACE: W

SEX: M

D.O.B.:

AGE:

ADDRESS: 800 S. VICTORIA AVE., VENTURA

RES. PHONE: N/A

BUS. PHONE: 654-2311

CASE DISPOSITION: OPEN INVESTIGATION

████████ & ██████████



ON 2/5/98, ██████████ AND ██████████ CAME TO THE SHERIFF'S CRIME LAB IN VENTURA TO TAKE POSSESSION OF THEIR TRUCK. WHILE EXAMINING THE VEHICLE, MR. ██████████ IDENTIFIED THE FOLLOWING ITEMS IN THE TRUCK THAT WERE NOT HIS: BROWN BALL CAP, (1) "MARLBORO" CIGARETTE PACK, (1) "BASICS" CIGARETTE PACK, (2) PLASTIC LIGHTERS, CASSETTE TAPE, GREEN L/S TEE SHIRT, NEWSPAPERS, AND A BLACK NYLON CLOTH WITH DRAWSTRINGS.

COPIES TO: <input type="checkbox"/> Det <input type="checkbox"/> CAU <input type="checkbox"/> Narc <input type="checkbox"/> Prob <input type="checkbox"/> Juv <input type="checkbox"/> CII <input type="checkbox"/> Officer <input type="checkbox"/> Watch Commander <input type="checkbox"/> OTHER <input checked="" type="checkbox"/>			
DATE/TIME REPORTED	DATE/TIME OF REPORT	REPORTING OFFICER/ID NO./DIV./UNIT	APPROVED BY/ID NO.
	2-5-98	R. YANG 0803 M/C	<i>[Signature]</i>

THESE ITEMS WERE COLLECTED AS EVIDENCE.

MR. [REDACTED] SAID HE KEEPS TRACK OF THE MILEAGE ON HIS NEW TRUCK.  
HE SAID 300 MILES HAVE BEEN PUT ON THE TRUCK SINCE IT WAS STOLEN ON  
1/31/98.

COPIES TO:  Det  CAU  Narc  Prob  Juv  CII  Officer  Watch Commander  OTHER

DATE/TIME REPORTED

DATE/TIME OF REPORT  
2-5-98

REPORTING OFFICER/ID NO./DIV./UNIT  
R. Young 0803 M/C

APPROVED BY/ID NO.  
[Signature]

**Damage Assessment Report:**

Vehicle: 1996 Ford Police Unit, White, License #E027964

Registered Owner: County of Ventura/Fleet Services

664 El Rio Drive Oxnard, Ca. 93030

**Damage to the left front fender.**

Damage to the left front fender began 24" and ended 44" from the front of the vehicle. The damage measured 22" to 32" from the pavement. There was green paint transfer in the damage area. Damage was caused by the left rear of the Ford pick up. Refer to B.I. photographs.

**Damage Assessment Report:**

Vehicle: 1998 Chev. Blazer, Green, License # [REDACTED]

Registered Owner: [REDACTED]

Damage began 56" and ended 74" from the rear of the vehicle. The damage measured 17" to 36" from the pavement. There were striations between 30" and 36". This damage was caused by the fender trim of the Ford pick up as it went forward and made contact with the Chev. Blazer. Below the striations the door metal was buckled. This was most likely caused by the left front bumper strip of the Ford pick up. That strip measured between 25" and 27 1/2" above the pavement. Damage to that rubber strip could not be located. It may have come in contact with the Blazers side door guard. Refer to B.I. photographs.

COPIES TO: <input type="checkbox"/> Det <input type="checkbox"/> CAU <input type="checkbox"/> Narc <input type="checkbox"/> Prob <input type="checkbox"/> Juv <input type="checkbox"/> CII <input type="checkbox"/> Officer <input type="checkbox"/> Watch Commander <input type="checkbox"/> OTHER			
DATE/TIME REPORTED	DATE/TIME OF REPORT	REPORTING OFFICER/ID NO./DIV/JUNIT	APPROVED BY/ID NO.
02-02-98	02-03-98 / 1331 hrs.	J. Jensen #0254 WCP	[Signature]

**SUPPLEMENTAL REPORT**

**Damage Assessment Report:**

Vehicle: 1998 Ford F-150 Pick up, green, Vin: [REDACTED]

Registered Owner: [REDACTED]

**Damage at the left rear bumper to the left taillight lens.**

Damage measured from 21" to 36" above the pavement. There was a slight amount of white paint transfer from the Ford Police Unit in this area. Damage caused by this vehicle backing into the stopped Ford Police Unit. Refer to B.I. photographs.

**Damage to the left fender trim.**

Damage began 24" and ended 53" from the front of the vehicle. It measured 29" to 35" above the pavement. This damage was horizontal striations caused by contact with the parked Chev. Blazer's right rear door. The damage appeared to have been made while the Ford pick up was going forward. Refer to B.I. photographs.

**Damage to the left front bumper and fender.**

Damage to the left front bumper began 17" in from the left side of the vehicle. There was a slight buckling of the metal causing the left end of the bumper to move back. This caused the left front fender to buckle in the area adjacent to the left turn signal lens. This buckling caused the lead portion of the left fender trim to pop loose from the fender. The left front fender also had a slight buckle just to the rear of the top of the wheel well opening. This damage was caused by contact with a tree and the planter. Refer to B.I. photographs.

The above vehicle was driven by Lejon Peterson.

COPIES TO: <input type="checkbox"/> Det <input type="checkbox"/> CAU <input type="checkbox"/> Narc <input type="checkbox"/> Prob <input type="checkbox"/> Juv <input type="checkbox"/> CII <input type="checkbox"/> Officer <input type="checkbox"/> Watch Commander <input type="checkbox"/> OTHER			
DATE/TIME REPORTED	DATE/TIME OF REPORT	REPORTING OFFICER/ID NO./DIV./UNIT	APPROVED BY/ID NO.
02-02-98	02-03-98 / 1331 hrs.	J. Jensen #0254 WCP	[Signature]



County of Ventura  
Sheriff's Department

MEMORANDUM

To: Detective Bob Young                      Date: February 5, 1998  
From: Analysis and Decision Support Group  
Subject: 98-10973  
Re: Deputy Chris Loes  
Date of Interview: February 2, 1998  
Time of Interview: 8:23 a.m.  
Rapidtext Operator: [REDACTED]  
Legend: DT = Dan Thompson  
          BY = Bob Young  
          CL = Chris Loes

1 DT: February 2nd 1998, 0823 hours. Dan Thompson and  
2 Sergeant Bob Young and Deputy Chris Loes. We're in Room 215 of  
3 the Country Inn on Del Norte.

4 Chris, what's your ID number?

5 CL: 2941.

6 DT: In what -- what unit were you working tonight?

7 CL: 8XRAY3.

8 DT: And what were your -- what were your duty hours?

9 CL: 8:00 until 4:30. 8:00 p.m. till 4:30 a.m.

10 DT: At 4:30 a.m.-

11 CL: Correct.

12 DT: 8:00 p.m. to 4:30 a.m.

13 CL: Correct.

14 DT: And did you have a particular detail? I know that's  
15 not your guy's normal hours. What was the -- what was the deal?

16 CL: Yes. We were -- we're working a detail we're kinda  
17 tracking a 314 suspect. We've been doing it for about three  
18 weeks now.

19 DT: Does he usually hit on the weekends or --

20 CL: Any day -- any time.

21 DT: Any time.

22 CL: Yeah.

23 DT: And it's in this area or in the motel --

24 CL: Yes.

25 DT: -- areas or --

26 CL: Yes, motel areas. Actually, he's hit here at the  
27 Country Inn several times. And --

28 DT: What's his -- what's his MO?

1 CL: Just gets the night clerk to, you know, he gets her  
2 attention, usually females. And they, you know, once he gets 'em  
3 looking at him, he -- he --

4 DT: Exposes himself --

5 CL: Exactly. Drops his pants and expose himself.

6 DT: Any vehicle scene or anything --

7 CL: Yeah.

8 DT: -- associated with that?

9 CL: He drives a 1985 silver Toyota Celica, two door.

10 DT: Okay. And you guys been Code 5'ing these motels in  
11 this area or this one and the one across the street and up and  
12 down the boulevard, Ventura Boulevard.

13 CL: Oxnard Boulevard, Ventura Boulevard, everywhere.

14 DT: Everywhere.

15 CL: Camarillo, Oxnard, Camarillo -- we follow this guy  
16 around.

17 DT: Do you know who he is?

18 CL: Yeah. I sure do.

19 DT: So that was your detail tonight? Was anyone working  
20 with you?

21 CL: Yes, Marco Paschia.

22 DT: Okay. And you guys were -- were done for the evening  
23 pretty much?

24 CL: Yes -- yes I was on my way home.

25 DT: Okay.

26 DT: Tell me what -- what you -- how -- how you heard about  
27 the call and what you did and -- and --

28 CL: Okay.

1 DT: -- sort of --

2 CL: Okay. I was on my way home from the station. I was at  
3 Las Posas and Ponderosa, west. I saw a unit coming up to -- I  
4 was at a red light. I saw a unit pulling up. I looked over and  
5 it was Frank Torpey. He rolls down his window. I roll down my  
6 window, and he goes, "Hey, there's a suspicious vehicle at the  
7 Country Inn parked in the rear." That's this guy's MO we've been  
8 following around.

9 DT: Uh-huh.

10 CL: I said, "Well, I'll follow you over there see if it's  
11 our guy." 'Cause I know what the guy looks like and it -- if it  
12 ended up being him, I was gonna, you know, take over and do the  
13 investigation and arrest and everything. So I followed Torpey  
14 and Hara over here --

15 DT: You're in your own car.

16 CL: I'm in my personal car.

17 DT: It's that little Mazda 323.

18 CL: The little Mazda 323.

19 DT: White one.

20 CL: Right.

21 DT: Okay.

22 CL: We go towards the -- if you -- if you consider north as  
23 being the mountains we would be the west entrance to the parking  
24 lot --

25 DT: Is that -- is that the second entrance?

26 CL: Yes, the second entrance.

27 DT: Okay.

28 CL: Torpey went first. Hara was second. I came in third.



1 Torpey stopped in front of the rear doors there where -- what  
2 time he was talking to the clerk. Hara continued on a little  
3 bit. I was right behind Hara. Torpey goes, "Hey, he's over  
4 there in that green pickup truck." Pointing, which would be  
5 east. Hara goes over there and -- and he --

6 DT: Did he tell him that on the radio or did he yell it out  
7 to him?

8 CL: He -- he said, "He's over there." I could hear him.  
9 He yelled it out. And so Hara drives down and kinda parks in  
10 back of the guy and approaches on the -- on the passenger's side

11 Torpey was still talking to the clerk so I said, well  
12 I'm gone go see if it's our guy and also provide cover for Hara.  
13 I walk up there and Hara's talking to the guy. I look in and  
14 it's -- it's a black male subject. Obviously, not the guy we're  
15 looking at 'cause our guy's a white male.

16 I was standing there. I look over and Torpey's still  
17 talking to the clerk. I said, well I'm not gonna leave Hara here  
18 by himself so I'm standing there while he's asking for the guy's  
19 identification.

20 The guy's bending down. He's kinda fidgeting around.  
21 He's looking for his ID and the paperwork for the truck. He  
22 finds some paperwork in the glove box. He hands it to Hara and  
23 Hara goes, "Well this isn't the vehicle registration. This isn't  
24 even paperwork on the truck." And he -- I don't think Hara found  
25 his driver's license. I don't think that was in his possession  
26 either.

27 Hara then asked the guy to step out of the car. Hara  
28 walks around the back of the truck starts walking back towards

1 his unit which is parked right behind the -- the pickup truck.  
2 All of a sudden, the guy starts up his car, his truck -- the  
3 truck. And Hara -- Hara looks and I look and Hara starts walking  
4 back. He's all, "Hey," he's all, "stop the car." He's looking  
5 over and he starts backing up and Hara's car's right there.

6 He's looking at me and he's mumbling something. It  
7 looked like he was saying fuck you or something like that. I  
8 couldn't really tell. So I pulled out my gun and I said -- I  
9 said, "Stop the car and get your hands up." And Hara -- I  
10 think -- I think Hara did the same thing. I -- I'm pretty sure  
11 he had his gun out and he was telling the guy to stop.

12 Torpey -- I saw Torpey start running over to where we  
13 were. He was probably, I don't know, a hundred feet away from  
14 us. The guy continued backwards and he backed right into Hara --  
15 Hara's car. So we're -- we're yelling at the guy, "Stop the car.  
16 Get out." I see him and he's going like this and then he's  
17 shaking --

18 DT: Going like --

19 CL: Sorry. He's shaking his head like --

20 DT: Like no?

21 CL: Yeah, and he's mumbling something again. And we're  
22 yelling at him to -- to turn the car off and to put his hands up  
23 and he -- all of a sudden, he floors it and he -- and he runs  
24 into the tree which is right in front of the parking stall.

25 At this point, Torpey's like in between Hara's car and  
26 the truck and I'm not a hundred percent sure 'cause I was kinda  
27 watching the guy but the guy threw it in reverse and Torpey was  
28 still around the back end of the truck. I'm not sure if Torpey

1 jumped into the truck before he started backing up or if the guy  
2 started backing up at Torpey and Torpey jumped to -- to get out  
3 of the way of the truck.

4           Anyways, he slam -- he backs up. He floors it. He  
5 slams the back of the or the front of Hara's car.

6           DT: Again.

7           CL: Right. Torpey's in the back of the truck and he starts  
8 going back and forth. I don't know how many times.

9           DT: Uh-huh.

10          CL: And he starts to -- starts to turn the car towards  
11 Hara -- Hara and myself and Torpey's just getting thrown around.  
12 I mean, it was just a very scary situation that hap- -- happened  
13 really fast, and I thought Torpey was gonna get really hurt and I  
14 thought we were gonna, you know, our lives were in danger at  
15 the -- everybody's -- everybody that was there was in danger.

16          Hara was standing to my left and we were still in the  
17 passenger's side of the truck Hara fired one round and shortly  
18 after I fired another round.

19          I looked at the guy -- we -- we both backed up --  
20 backed away and Torpey jumped out of the truck and backed away.  
21 He was on the -- obviously, on the driver's side. We were still  
22 in the passenger's side. We were still giving verbal commands to  
23 the guy to put his hands up. Stop the car. He wasn't -- he  
24 wasn't complying.

25          Hara's flashlight went dead or he dropped it or  
26 something. We -- we couldn't see in from our side. Torpey, with  
27 his flashlight, was telling us that he wasn't moving. At that  
28 point, I don't know if it was Charles 1 or Charles 2 showed up.

1 I don't even know who was there. I think it was Handy  
2 and Keneman. We covered Handy as he approached the car. There  
3 was a -- the passenger window was broken out. There was two  
4 separate holes from the -- from the rounds that went in. Handy  
5 was yelling at the guy to put his hands up and turn the car off.  
6 He -- he wasn't doing anything. He -- he was just sitting there  
7 doing nothing. Handy knocked the glass out, opened the car, and  
8 they lit it up and the guy was slunched over.

9 DT: Passenger's side?

10 CL: Yeah. He opened the passenger door, the guy was still  
11 in the driver's side and I think he was slunched over forward.  
12 I'm not a hundred percent sure and then that's when they started  
13 calling for -- he put out the 999 and everybody started coming  
14 and called for an ambulance and --

15 DT: Did -- did you have a flashlight with you?

16 CL: No. Did not.

17 DT: And you were dressed like you are now?

18 CL: This is -- this is how I came to work this -- my SED  
19 clothes.

20 DT: Right.

21 CL: I was just -- just the way I am right here.

22 DT: No -- no black -- you didn't have your black sheriff  
23 jacket or anything --

24 CL: No. That's -- that's it --

25 DT: You -- you were off duty. You were going home.

26 CL: On my home, yeah. All I had was -- I had my gun, my  
27 badge, and they were -- they were exposed both and, you know, he  
28 knew I was a cop. I identified myself and --



1 DT: Tell me -- tell me about that.

2 CL: I just told -- you know, I said, "Please," you know,  
3 once he started -- 'cause he looked over at me and he saw me. I  
4 said, "Please," and I had a gun kinda in his, you know, in his  
5 face and --

6 DT: And where was your badge at?

7 CL: Right here on my belt. I had -- I had -- I had it  
8 exposed. Tucked -- tucked in to where it was visible.

9 DT: You had your shirt tucked in?

10 CL: Yeah. It was just like this. Oops, sorry. I had a  
11 gun exposed -- well, I had my gun out but the holster was there.  
12 I had just like that.

13 DT: Uh-huh.

14 CL: And, you know, Hara had -- obviously, he knew Hara was  
15 a cop and I was standing with Hara the whole time and, obviously,  
16 Torpey -- he knew Torpey was a cop and --

17 BY: What -- what kind of conversation's going on between  
18 Hara and this guy. He was asking for --

19 CL: ID.

20 BY: How did it start out? How did -- how did Hara contact  
21 the guy?

22 CL: To tell you the truth, I was looking at Torpey waiting  
23 for him to -- to walk over to -- to back up Hara. He wasn't  
24 doing it, and Hara was over -- had already made contact with the  
25 guy on the passenger's side.

26 BY: Uh-huh.

27 CL: And -- but that's why I came up and I don't know what  
28 was said before I got there but when I got there he was asking

1 for his ID.

2 BY: Was there dialogue going both ways?

3 CL: I couldn't hear him. I couldn't hear the -- the driver  
4 saying anything.

5 DT: Well, how was he talking to him if the windows were up?

6 CL: No, no, no. His window was down.

7 DT: His --

8 CL: Not down all the way --

9 DT: His passenger window was down some?

10 CL: Right.

11 DT: How -- estimate. How long --

12 CL: Oh, God.

13 DT: How far down? Enough to where he could talk --

14 CL: Yeah.

15 DT: -- and hand things through but he didn't --

16 CL: Yes.

17 DT: -- roll it all the way down?

18 CL: No, I don't believe -- I don't believe it was all the  
19 way down. Because he rolled it up when he backed the car up --  
20 when he started backing up. You know, once he started, the  
21 windows went up and he started, you know, rolling backwards.

22 DT: When Hara first contacted him and you were there as his  
23 back up, was the engine on on the truck? Was -- was the engine  
24 running that you can remember --

25 CL: No.

26 DT: It was not.

27 CL: It was not running. When Hara contacted him --

28 DT: The lights were off. The headlights were off.

1 CL: He was just sitting in the truck. It was totally black  
2 and when Hara asked him to step out of the truck and Hara was  
3 walking back to his unit, that's when he started up the truck  
4 'cause we heard it and we both went, "What's he doing." And then  
5 we said it again, you know, we said again, "Turn it off. Turn it  
6 off." And that's when he started backing up. And then he  
7 started, you know, doing all this aggressive maneuvers trying --  
8 trying to get out, run people over and, you know, it just  
9 happened really fast and -- pretty scary.

10 DT: When you were at the passenger's side of the truck,  
11 were you on the asphalt or were you back by the planter? And  
12 this is -- it's raining. It's dark --

13 CL: It's pouring.

14 DT: -- and it's -- it's pouring.

15 CL: Pouring. No, I'm -- I'm right next to Hara.

16 DT: You're -- you're right next to --

17 CL: I'm like -- Hara's like in the -- the passenger window  
18 and where the -- what is that called, the club cab window --

19 DT: Uh-huh.

20 CL: -- I'm right there on the asphalt.

21 DT: To his left -- to Hara's left then?

22 CL: Correct, behind him.

23 DT: Few feet behind him.

24 CL: Yeah. If he's facing the truck, I'm to his left.

25 DT: You can't really see in the truck from there or can  
26 you --

27 CL: No. I can see a little bit because the -- the -- Hara  
28 had his light in there and then, obviously, when I wanted to see

1 who was inside the truck, I looked forward and I could see that  
2 he was -- that he was a black male.

3 DT: Uh-huh.

4 CL: And he was -- when I looked in, he was like fumbling  
5 with something on the floor but I don't know what he was digging  
6 for. But --

7 DT: But he handed -- he handed Hara some papers.

8 CL: Yeah, I think they came from the glove box, but I --  
9 I -- I can't be a hundred percent sure.

10 DT: Handed 'em through the window?

11 CL: Yeah.

12 DT: Lean over and hand 'em through the window.

13 CL: I think the window was down maybe six, eight inches. I  
14 don't -- I don't know. I don't think it was down all the way.  
15 He handed 'em to Hara and Hara looks at 'em and goes, "These  
16 aren't paperwork for the truck. So do you have any of the, you  
17 know, paperwork for the truck." And I think -- I never heard the  
18 guy talk. And -- from what I gathered though from what Hara  
19 asked him to do, he didn't have anything on him 'cause he asked  
20 him step out ever the truck. I don't know if he's gonna pat him  
21 down for ID or whatever.

22 DT: Uh-huh.

23 CL: But -- but Hara said, "Keep an eye on this guy."

24 DT: So something wasn't right.

25 CL: Something wasn't right. I don't know what was said  
26 because, obviously, I couldn't hear the guy but he said, "Keep an  
27 eye on this guy."

28 DT: And where was Hara going when he went -- when he went



1 back towards his vehicle -- to Hara's vehicle?

2 CL: See once he said that, he started walking back. I  
3 moved up to the passenger window so I can keep an eye. 'Cause  
4 the guy was still in the truck. He never got out.

5 DT: Right.

6 CL: And he was fumbling around. I'm like what's this guy  
7 doing. And then Hara -- when I looked back, Hara was at his unit  
8 and that's when the guy started up his truck and then he started  
9 backing up, shaking his head, saying something. I don't know  
10 what he was saying, but the windows were up at that time so, you  
11 know.

12 DT: So he -- Hara's back there towards his unit between the  
13 truck and his unit. The guy backs up and smashes into Hara's  
14 vehicle?

15 CL: After Hara got on the passenger's side. Hear the  
16 truck --

17 DT: Got out of the way --

18 CL: 'Cause there really wasn't that much distance between  
19 Hara's car and the truck. Hara was like at the -- maybe like to  
20 where the wheel is when he heard the truck start and he  
21 immediately came right back to me.

22 And the guy -- initially, he started backing up real  
23 slow like we didn't know what he was doing. I said, "What's he  
24 doing." But it's like the car's right there. He's gonna hit the  
25 car, you know. And we're like, "Stop, stop, stop." And, you  
26 know, and then he wasn't doing it and smacked into it. And then  
27 he floored it forward hit the tree and then he slammed it back in  
28 reverse and he slammed into the car then he went forward again.

1 I think he came back -- I don't know if he came back  
2 again. But that -- at that point, Torpey was in the back of the  
3 truck getting thrown around, and he started turning the truck  
4 towards us so...

5 DT: Torpey's not in the -- in the truck bed --

6 CL: Bed --

7 DT: -- at the -- at the first contact with the patrol unit  
8 but at least one time he's in there getting thrown around? At  
9 least one backwards and forward?

10 CL: He -- he wasn't in the truck when it first -- when he  
11 first will -- it was almost like a roll. It was like maybe it's  
12 like -- I don't think he gave it any gas. It was like he just  
13 put it into gear. That's how slow it was going --

14 DT: Uh-huh.

15 CL: It's like, this guy's gonna hit the car. I mean, it  
16 was like what's going on. Then he -- he must have heard us  
17 yelling at him like, "Get your hands up. Get your hands up."  
18 And that's when he -- I mean, he got -- he got over to us real  
19 quick and I -- like I said, I don't know if the guy was in --  
20 intentionally trying to hit him and he was caught in between the  
21 car and the truck or if he just boom jumped right into the bed of  
22 the truck trying to get to the guy. I don't -- I don't know what  
23 -- what happened there 'cause like I said I was kinda looking at  
24 the guy --

25 DT: Uh-huh.

26 CL: -- trying to see -- watch what he was doing inside  
27 the -- inside the cab and then, you know, he started going back  
28 and forth. Torpey was getting thrown around and -- and I --

1 BY: Could you -- could you see what he was doing when Hara  
2 fired the first round?

3 CL: No.

4 BY: What was he doing when you fired?

5 CL: He was going forward.

6 BY: Forward.

7 CL: I --

8 BY: Both hands on the wheel or did you see his hands or...?

9 CL: I'm not sure if one might have been on the steering  
10 wheel, one might have been on the -- the gear stick. I -- I'm not  
11 sure.

12 BY: Uh-huh.

13 CL: But it was around that area of the steering wheel. I  
14 don't think he was -- I don't -- to tell you the truth, I don't  
15 know.

16 BY: Okay.

17 CL: I mean, I know, one -- one, obviously, was on the --  
18 the left hand was on the steering wheel. I don't know if he was  
19 reaching for anything or if it was -- but I think it was near  
20 that area of the steering wheel.

21 BY: Hara fired first?

22 CL: Hara fired first.

23 BY: How much time between when Hara fired and you fired?

24 CL: Two, three --

25 BY: Seconds?

26 CL: -- seconds maybe --

27 BY: Pretty quick.

28 CL: Real quick, yeah.

1 BY: Is the -- is the vehicle going backwards again or  
2 forward or stopped or what's it doing when you shoot?

3 CL: He hit the -- he slammed it in reverse and he had his  
4 foot down and he slammed into the car. He started cranking the  
5 wheel and that's when he threw it back in drive. Hara fired, the  
6 car started going, and I think I fired before he hit the tree.

7 BY: It was -- it's going forward again?

8 CL: Yes.

9 BY: Did you think it was gonna start going backwards again?

10 CL: I didn't know

11 BY: Uh-huh.

12 CL: I mean, he was -- he was just doing this so I -- I  
13 don't -- I don't know.

14 BY: And Torpey's still in the back of the truck getting  
15 throwing around --

16 CL: Torpey's still in the back getting thrown around and  
17 the car was turning towards us so, I mean, he was -- he was, you  
18 know, definitely trying to get away from us.

19 BY: Uh-huh.

20 CL: And I felt that -- seriously, I felt we were in a life  
21 threatening situation and I mean definitely Torpey, you know,  
22 probably -- 'cause he -- he was getting thrown around like a rag  
23 doll and -- I mean, I saw Frank the second time -- when he hit  
24 the -- when he hit -- when he punched it backwards, I saw Frank  
25 just, I mean, he was flat in the -- in the bed of the truck  
26 and --

27 DT: He -- he fell down?

28 CL: Yeah. I don't know if it was from the impact or -- I'm



1 trying to think if he got in or -- it must have been from where  
2 he slammed in the back of the truck that knocked him over. I  
3 mean, sorry, in the back of -- in the front of Hara's car that --  
4 that must have knocked him over.

5 DT: You know what Torpey was doing jumping in the back of  
6 the truck? What his plan was?

7 CL: I have no idea. I -- I don't. Like I said, I don't  
8 know if he was -- if he dove in there to get out of the way of  
9 the truck or if he had a plan. I don't know.

10 BY: Uh-huh.

11 CL: It could -- I mean it -- it happened so fast. There  
12 wasn't any communication whatsoever between any of us. I mean,  
13 it was -- it was that fast. It was just more the survival thing.

14 BY: You think -- you think this guy knew that you were a  
15 cop?

16 CL: Me?

17 BY: Uh-huh.

18 CL: Oh, yes.

19 BY: You're pretty certain of that?

20 CL: Yes.

21 BY: How about Hara, think he knew Hara was a cop?

22 CL: Yes.

23 BY: Hara's wearing his yellow rain coat --

24 CL: His yellow rain coat.

25 BY: -- with a badge on?

26 CL: Yes.

27 BY: Did you identify yourself as a police officer somewhere  
28 during this --

1 CL: What -- well, yeah, when I put the gun in his -- when I  
2 had the gun pointed at him. I says, "Stop, police." And, you  
3 know, he just -- he -- that's when he -- he was looking at me  
4 going like this --

5 BY: You sure --

6 CL: -- shaking his head. And he's --

7 BY: You guys made eye contact then?

8 CL: Oh, yes, yes. And he was mumbling -- he was -- I  
9 couldn't tell --

10 DT: And his window was down still?

11 CL: No, it was up.

12 DT: It was up.

13 CL: Yeah, the windows went up when he started the truck.

14 DT: When he started the truck.

15 CL: Yeah. Definitely.

16 DT: And -- and he rolled back. The first time, it wasn't  
17 a -- a big contact with the unit?

18 CL: I don't, you know, I don't know if he knew his car --

19 DT: Was blocked in.

20 CL: -- was blocked in, yeah. I think he said well I'm just  
21 gonna kinda maybe roll back and get out of here.

22 DT: Uh-huh.

23 CL: But then he made contact and that's when he threw it.  
24 He said, oh, God, I'm blocked. And that's when he, you know. We  
25 didn't know what we had. I mean --

26 BY: When -- down there the way it is now, Hara's spotlight  
27 is shining in the back of the truck. Is that how you guys made  
28 contact to light it up or is it something that happened during --

1 CL: Hara -- Hara got there before I did. I was --

2 BY: Do you know if their -- his spotlight was on the truck?

3 CL: Oh, yes.

4 BY: It was?

5 CL: Yes. Yeah, everything -- everything's the way it was.

6 There was probably ten seconds between Hara making contact and me

7 getting there going, well, Frank's not -- Frank's still with

8 the --

9 DT: RP --

10 CL: -- the RP and no one's back -- and he didn't have any

11 cover so I went, you know, I parked my car in the handicap but

12 I -- and I went over there.

13 BY: Uh-huh.

14 CL: And, you know, that's when I threw my shirt over my gun  
15 and my badge.

16 BY: To uncover and expose it?

17 CL: Yes. Yes.

18 DT: So you threw your shirt under your gun and your badge.

19 CL: Behind --

20 DT: Tucked it in -- tucked it in behind --

21 CL: Exactly.

22 BY: Behind --

23 CL: Behind exactly.

24 DT: So you'd have access to it and your badge would be  
25 displayed?

26 CL: Exactly. And Hara was like, I said, like any -- the

27 spot from the -- his car was lighting up through the -- the

28 tinted window in the back and Hara was lighting it up with his

1 mag light from the passenger's side.

2 DT: Heavy rain?

3 CL: Very heavy rain. Pouring rain. I was thinking -- I  
4 mean, I was thinking to myself, is Frank gonna come over here. I  
5 want to go home. I was thinking that to myself and that's when  
6 it all happened though. But I'm glad I didn't -- I mean, I was  
7 thinking well maybe -- I -- I was thinking to myself, he's okay.  
8 I was -- I was about ready to walk back to my car 'cause I was  
9 getting soaked.

10 DT: Uh-huh.

11 CL: I just -- I just got a funny feeling and then he said,  
12 "Watch this guy." And -- well, I'm glad I did. It may have been  
13 a different situation.

14 DT: You pulled your weapon after he --

15 CL: After he --

16 DT: -- started the car --

17 CL: No, no, after he --

18 DT: -- before you made contact --

19 CL: -- after he rolled -- when he was going real slow and  
20 backed into Hara's car. That's when I pulled out my gun and  
21 said, "Stop, you know, Police. Stop." And he said, "Stop the  
22 car put your hands on the -- up on the wheel." And he, you know,  
23 he just kept shaking his head. He was saying -- I don't know  
24 what -- I don't know what he said.

25 DT: He was mouthing something.

26 CL: He was mouthing something. It looked like he was  
27 saying fuck you but I -- I can't --

28 DT: That's just the

1 CL: That's what I thought.

2 DT: Just what you perceived?

3 CL: Yeah. I don't know. We didn't -- like I said, we  
4 didn't know what we had at all.

5 DT: After the -- the windows shattered from the -- the gun  
6 shots, what did the vehicle do?

7 CL: Stopped.

8 DT: Was it forward --

9 CL: Hit -- hit the tree.

10 DT: What was the motor doing at the time?

11 CL: Oh, God.

12 DT: Either revving or -- or just idling there or do you  
13 know?

14 CL: To tell you the truth, I don't know. I -- I mean, I  
15 think it was idling. I -- I know he'd -- I don't think -- I  
16 mean, I didn't hear -- it wasn't like his foot was down on the  
17 accelerator.

18 DT: Uh-huh.

19 CL: I mean, I couldn't tell you if it was on. I don't know  
20 if -- if the impact shut it -- shut it down or what. I don't  
21 know. It was pouring down real hard. But all the lights were  
22 on, I know that. I mean, his headlights were --

23 DT: His headlights.

24 CL: Yeah.

25 DT: Any cab lights on that you could tell?

26 CL: I want to say no, but I can't be a hundred percent  
27 sure.

28 DT: Can you -- any radio on, you know, his radio --



1 CL: His radio?  
2 DT: Yeah. Or --  
3 CL: No.  
4 DT: -- AM/FM ra- -- cassette or anything?  
5 CL: I can only say no at -- at the point to where Hara was  
6 talking to him when I was standing right behind Hara. I could  
7 say no 'cause I know it wasn't on.  
8 DT: Uh-huh.  
9 CL: I don't know what he did after he rolled the windows  
10 up. And I know it wasn't on when everybody approached the cab  
11 after Handy had already made, you know, contact with the guy. It  
12 wasn't on "On". Or if -- if it was, it wasn't loud --  
13 DT: You -- and you -- you did not have a portable with you?  
14 CL: No. No, portable, no flashlight --  
15 DT: No flashlight.  
16 CL: No --  
17 DT: Just you and your side arm.  
18 CL: My side arm and my badge and I was on my way home.  
19 DT: And you felt that Torpey was in danger being thrown  
20 around like that with this guy driving back and forth banging  
21 into things and -- and turning towards you guys with --  
22 CL: Everybody -- I thought everybody was in danger.  
23 Especially Torpey. I mean, he was -- he was getting thrown  
24 around, you know. I mean he -- the -- initially, I think he was  
25 in an okay position to, you know, to compensate for the impact  
26 but after he was down, he would have got hurt. I know he would  
27 have got hurt. He may have been thrown in between the cars. I  
28 mean, who knows. And it was -- he was -- I feel -- I feel that

1 he was out to hurt us, you know, and to do whatever it took to  
2 get out of there. That's -- that's what I felt at the time.  
3 What I -- what I did what I did.

4 DT: Whether -- whether it you in the way or the vehicle in  
5 the way, it didn't matter.

6 CL: Didn't matter what was in his way, tree -- I think  
7 there's a big electrical box there.

8 DT: Right.

9 CL: I'm -- I'm sure he would have ran that over if he -- if  
10 he could have done it.

11 DT: Did you -- did you ever use that for cover at all?

12 CL: Yes. After -- actually, Hara and I both did after we  
13 fired and the truck came to a stop. We both retreated behind  
14 that and we --

15 DT: used that as your position of cover?

16 CL: Yeah. And we -- we, you know, had guns on him and then  
17 when Handy came up, obviously, I took my gun down so I would get  
18 him at a cross, but he was still covered from Hara. I believe  
19 Hara and Torpey still had him covered. I think -- I think  
20 Keneman was there but I -- I don't -- I don't know who was with  
21 Handy.

22 DT: It was Keneman.

23 CL: Keneman? Yeah. And then once we, you know, checked  
24 him out, I said, "Get the ambulance in here." That's when uh,  
25 they sent 'em in.

26 DT: And what -- what was his -- the suspect's demeanor?  
27 Was there anything or was the --

28 CL: To tell you the truth, I was back in a -- in a unit. I

1 was told to go sit in a unit and wait for you guys -- well, they  
2 all did there -- I mean, there was enough bodies around the car.  
3 I was told to go sit in a unit, the one that was parked to the  
4 east. And, obviously, there was a bunch of people looking at the  
5 guy. They're looking for entry wounds.

6 DT: Uh-huh.

7 CL: And then shortly after that the fire -- fire truck came  
8 and then after that the ambulance.

9 DT: Okay. Can you think anything else that you need to  
10 tell us or add or correct or anything?

11 CL: No. There's some things I just -- like I said, I -- I  
12 can't be a hundred percent on. I can only --

13 DT: Best recollection.

14 CL: Yeah. It happened so fast. I -- I can't think of  
15 anything.

16 DT: It's 8:50.

17 We're -- we're back on at 8:52.

18 Tell us about the -- the window of the suspect's truck,  
19 the back window.

20 CL: Okay. While Deputy Hara was asking for the paperwork  
21 on the vehicle after he handed him the paperwork that -- what I  
22 gather was not related, I noticed that the back sliding rear  
23 window was open ajar. I thought it was kind of odd 'cause it was  
24 pouring down rain and I brought it to Deputy Hara's attention. I  
25 said -- I told him, "I think it, you know, this might be stolen.  
26 The back window's pried open." And that's when he -- shortly  
27 after he asked the -- the suspect -- or the driver to step out of  
28 the -- of the truck.

1 BY: That's when he told you to keep an eye on the guy?

2 CL: Yeah, that's when he told me to keep an eye on the guy.

3 DT: Did -- did you see pry marks or you just saw that it  
4 was open --

5 CL: No --

6 DT: -- and he just --

7 CL: -- it was -- yeah.

8 DT: You just thought that was odd --

9 CL: Odd.

10 DT: -- since it's raining, all the other windows are up --

11 CL: Yeah.

12 DT: -- and -- and that back window is -- is slid open.

13 CL: I didn't have a flashlight to really --

14 DT: Take a good look.

15 CL: -- you know -- yeah. And, obviously, the -- the truck  
16 had paper plates so we couldn't --

17 DT: Couldn't run it.

18 CL: Yeah. Couldn't run the plate but it -- I don't know  
19 if -- I don't know. I -- I was just making an assumption. I  
20 thought it was odd, and I -- I just brought it to his attention  
21 that it might be stolen -- a stolen truck. That's when he told  
22 me -- or that's when he asked the guy to step out. He told me to  
23 keep an eye on him so...

24 BY: Can you think of anything else?

25 CL: No.

26 DT: When -- when the guy's driving the -- the truck back  
27 and forth and getting it into gear, did he act like he know what  
28 he was doing like that was his vehicle --

1 CL: Yeah.

2 DT: -- or was it like he hesitate trying to --

3 CL: No.

4 DT: -- fumble for the gears? Did he have that -- any  
5 problem with that --

6 CL: Yeah. It was -- it was pretty smooth.

7 DT: Pretty smooth?

8 CL: Yeah. From like when he initially backed into the --  
9 the unit and went forward and then went backwards at -- it wasn't  
10 any real hesitation. There was -- I think he knew what he was  
11 doing as far as --

12 DT: Operating the vehicle?

13 CL: Yeah.

14 DT: Could you see if he turned around when he backed up the  
15 first time?

16 CL: No, he didn't. That -- that's what was weird. He was  
17 just -- he was like looking at me. He was rolling back slowly  
18 'cause I was yelling at him to stop. He was looking at me and he  
19 was just rolling backwards like I don't think you -- like I said,  
20 I don't think he put the gas on. And that, you know, it wasn't a  
21 hard impact but it was enough to, you know, dent up the car and  
22 that's when, you know, we started giving him commands to turn it  
23 off and --

24 DT: The second time he -- he rolled into the --

25 CL: He --

26 DT: -- into the back of the truck --

27 CL: -- floored it.

28 DT: He floored it.



1 CL: Yeah.

2 DT: That was a -- did it move that --

3 CL: Yes.

4 DT: -- move that unit?

5 CL: Yes. It was a very hard -- I mean, it threw -- it  
6 threw Torpey. I mean, it -- it was a very hard impact and same  
7 with the one forward that was a very hard impact also.

8 DT: Did you ever know Torpey to -- to use any OC at that  
9 time? Did you know he'd OC'ed --

10 CL: No. I didn't -- I didn't know that if he did. Like I  
11 said, all -- all I saw was Torpey in the back of the truck and he  
12 was getting -- and he was thrown and then all my eye contact was  
13 on this -- the driver and I had no idea he OC'ed him. And I  
14 didn't -- you know, to tell you the truth, when I went up towards  
15 the cab, I didn't smell it either so...

16 BY: Okay.

17 DT: 8:56 a.m.

18

19

20

21

22

23

24

25

26

27  
28

County of Ventura  
Sheriff's Department

MEMORANDUM

To: Sergeant Robert Young                      Date: February 3, 1998

From: Analysis and Decision Support Group

Subject: 98-10973

Re: Deputy Frank Torpey

Date of Interview: February 3, 1998

Time of Interview: 0644

Rapidtext Operator: XXXXXXXXXX

Legend: RY = Robert Young  
DT = Dan Thompson  
FT = Frank Torpey

1 DT: It's February 2nd, 1998, at 0644 hours. We're in  
2 Suite 215 of the Country Inn on Del Norte.

3 Dan Thompson, my partner Sergeant Bob Young and say  
4 your name for us.

5 FT: Deputy Frank Torpey, ID No. 2745.

6 DT: Say your ID number again.

7 FT: 2745.

8 DT: Okay. What unit were you working tonight?

9 FT: I was 8A11.

10 DT: And you came on at 2245 hours?

11 FT: Correct.

12 DT: And that's city of Camarillo car; right?

13 FT: Yes.

14 DT: This is your patrol area also?

15 FT: 8A.

16 DT: This beat? And who was 8B tonight?

17 FT: 8B was Deputy Mark Hara.

18 DT: Is he normally your beat partner?

19 FT: Yes, he is.

20 DT: Okay. And 8C?

21 FT: Is Deputy Bob Hull.

22 DT: And which unit did you have? Which -- which unit  
23 number?

24 FT: It might have been 3017. I'm not sure.

25 DT: There is a 3004 down there and a 3013.

26 FT: 3013.

27 DT: Okay. Prior to -- is this -- what day of the week is  
28 this for you? Is this your Monday? Your Friday?

1 FT: This is my Tuesday.  
2 DT: This is your Tuesday. Your second --  
3 FT: Second day.  
4 DT: -- second shift?  
5 FT: Yes.  
6 DT: Four -- four and two?  
7 FT: Correct.  
8 DT: Right? Okay.  
9 Prior to this call, this suspicious vehicle call,  
10 anything of significance happen tonight earlier in the evening?  
11 FT: Nothing.  
12 DT: Just rained?  
13 FT: Pretty much.  
14 DT: Lots of rain? Any rain related accidents or calls or  
15 anything?  
16 FT: No. Went on an alarm call at Applebee's prior to this  
17 and return runaway at the beginning of shift.  
18 DT: Uh-huh. Pretty much nothing.  
19 FT: Pretty much nothing.  
20 DT: No 1015's?  
21 FT: Not tonight, no.  
22 DT: Okay.  
23 BY: You on a backside of the double or is this just your  
24 first shift?  
25 FT: This is my first shift. No double today.  
26 DT: And were you wearing rain gear?  
27 FT: I was wearing my yellow department issued sheriff's  
28 jacket and my green pants.

1 DT: Okay. Had half the --

2 FT: Half the --

3 DT: -- half the ensemble on.

4 FT: Correct.

5 DT: Tell me about what you did? You got a call -- run it  
6 down to me just like you're telling me the story when we're in  
7 the briefing room and I'm asking, hey what happened?

8 FT: Okay. We received a call of a suspicious vehicle at  
9 this hotel in the back parking lot. The RP or dispatch advised  
10 that it was a, possibly a brown-dark colored, four-wheel-drive  
11 truck, parked in the back parking lot  
12 occupant -- in the vehicle in then parked there for  
13 approximately -- I just remember, 15 minutes.

14 So 8A, myself, and 8B -- we responded to the call. I  
15 got here pretty much the same time. I took the -- I came in the  
16 south. Sorry, it would be the -- the back parking lots would be  
17 the east parking lot. I came in the east parking lot to the  
18 backside here and Hara swang around to the west parking lot.  
19 Basically it's an U shaped parking lot.

20 DT: Uh-huh.

21 FT: I went in the first entrance He went in the second  
22 entrance --

23 DT: Okay.

24 FT: -- to come around that way. I used my alley lights to  
25 light up all the vehicles as I drove by them to see if I could  
26 see the vehicle.

27 The first vehicle I noticed in the parking lot as I  
28 was coming in was the green Ford F150 and it had a back tinted



1 window. I hit my ally light on it and I didn't see anything in  
2 the truck, but also I was pretty sure it was gonna be a brown  
3 truck, not a green truck.

4 DT: Uh-huh.

5 FT: And it didn't look like a 4X4 as I pictured a 4X4  
6 maybe tunnel vision kind of thing. As a cleared the parking lot,  
7 Hara and I met up probably 20, 30 yards west of the entrance to  
8 the back entrance to the hotel. I said, "Did you see anything?"  
9 No, he didn't see anything. So I said, "I'm gonna talk to the  
10 RP, who was at the door," which is the lady that was working.

11 I -- so Mark continued slowly to drive past me. I  
12 contacted her. She came out and I said, "Which vehicle? Is the  
13 vehicle still here?" She pointed to the first vehicle I saw in  
14 the lot, which was the green Ford F150. She said, "That's" --  
15 "That's the vehicle there."

16 So I got on the radio I said, "8B. It's the green  
17 Ford at the end of the lot, the last truck." At this -- also --  
18 let me take this back. Prior it this, Hara and I were responding  
19 to the hotel. We stopped at the red light at Las Posas and  
20 Ponderosa. Deputy Loes, who was working 8X tonight, looking for  
21 a 314 suspect, who been hitting all the hotels. He was getting  
22 off shift. This is one hotel that has been hit several times.

23 DT: Right.

24 FT: Loes was at the red light. I pulled up to the red  
25 light. I rolled my window down. I said, "Hey, Loes, we're going  
26 to a suspicious subject call at the hotel." I gave him this one  
27 the Country Inn. A suspicious subject call on a car in the back  
28 lot. He was surprised. He's -- they've been trying to catch

1 these 314 guys. We all kinda thought it was him.

2 DT: Uh-huh.

3 FT: But the vehicles were different. So unbeknownst to  
4 me, Loes followed us to the hotel thinking, you know, he's trying  
5 to help us out. I -- I realized Loes was there when Hara and I  
6 met up. Loes was behind Hara. Hara's is gonna help us out -- or  
7 Loes is gonna help us out.

8 DT: Uh-huh.

9 FT: So as --

10 DT: And Loes was in a plain vehicle and plain clothes?

11 FT: Loes was in a -- a plain clothes. He's in his  
12 personal car. He's in plain clothes.

13 DT: Oh, he's getting off shift. He's --

14 FT: Yeah.

15 DT: He's already checked out?

16 FT: He's on his way home.

17 DT: He's on his way home.

18 FT: But he still has his 8X gear on, his gunbelt and  
19 everything.

20 DT: Okay.

21 FT: So as I advised Hara that the car was at the end of  
22 the lot, that particular truck, the suspicious subject truck, I  
23 continued to talk to the RP, "What's going on? What did you see?  
24 What's he doing?" Just questioning her about the truck. Hara  
25 and Loes contacted the truck, the driver of the truck uh, I knew  
26 there was somebody in the truck because although it was far for  
27 me to see there were -- they appeared to be talking and shining  
28 the light in the truck.

1 I couldn't make out what they were saying because I  
2 was so far away. So as I watched them, I continued talking to  
3 the RP. They kinda -- they still talking to the occupant of the  
4 truck so I told her that I was gonna go over there to make  
5 sure -- well I got Loes on four. I said, "Are you Code 4?" And  
6 I couldn't hear his response. I don't know if it was a yes or a  
7 no but it was garbled because it was a hand held So I told her  
8 that I'm gonna go over there and see if their okay.

9 I got back in my car and reversed it. That's why the  
10 cars actually reversed. The back of my car is touching the back  
11 of Hara's car. I reversed it and as I got out, that's when the  
12 truck, the driver of the truck, threw the car in reverse, backed  
13 up, and slammed into Hara' scar.

14 I could hear Hara telling him to "stop, stop". I  
15 think Loes was also doing it. He just got real frantic. "Stop  
16 the car. Stop the car." And Loes was on the east side of the  
17 vehicle.

18 DT: Give me, give me passenger or driver side.

19 FT: Okay. Loes was on the east side of the vehicle on the  
20 passenger side. I think he was pretty far back. I think there's  
21 a power box there. He was taking cover, I believe, right there.  
22 And Hara was back by the bed of the truck. And as I saw him do  
23 that, I ran up to the vehicle and tell him, "Stop. Stop the  
24 truck. Stop the truck."

25 He had pulled forward again and, you know. I'm still  
26 yelling at him to stop the truck. "Stop the truck." I grab -- I  
27 went for the -- the door handle on the driver's side to open it,  
28 but it was locked. I think Hara did the same thing on the

1 passenger side but it was locked. As I backed up from the truck,  
2 because it sounded like he was gunning it, I -- I think he was  
3 having problems getting it in gear, maybe he was excited.

4 I came back from the truck, back to where the unit was  
5 where he had hit and I saw that -- that back window of the truck  
6 has a sliding-rear window and it was open a few inches. I could  
7 tell that. So it is still kind of confusing. But I jumped in  
8 the bed of the truck. My goal was to -- since he was blocked in  
9 there -- to OC -- open up the window to OC the guy and get him to  
10 stop what he was doing. So I did that. I threw the -- threw the  
11 open. I believe I got my hand in there. I'm yelling at him to  
12 stop the truck. "Stop the truck. Stop it now. Stop it now."

13 I was able, I think, to get off a burst of O.C. but  
14 it's a -- it's a extra-cab truck. I couldn't reach his face. I  
15 wanted to get in it. He hit had in reverse again.

16 DT: With you in the bed of the truck?

17 FT: Correct.

18 DT: And that's when I -- I lost my OC and everything  
19 because he hit the car again. I went flying to the back tailgate  
20 of the truck and then he hit it drive again and went forward and  
21 I flew forward again. We're telling him to stop. "Stop. Stop."  
22 I even I believe I said, "Stop or you're gonna be shot. Stop.  
23 You're gonna be shot."

24 We're all in fear for our lives because this guy is  
25 trying to get out of there. He's also not just straight backing  
26 up. He's turning to try to maneuver his way out to get away.  
27 That's when, I believe, it was Loes also yelling at him to stop.  
28 "Stop or you will be shot. Stop." And fired -- fired his

1 weapon. I can't say for sure Hara did because I was in the bed  
2 of the truck. I believe it was Loes that fired it. I heard the  
3 windows -- I heard the gun go off, the windows smash.

4 At that time, I guess, he went down in to drive  
5 because he hit the gas again and it went forward into the tree.  
6 Then the engine was gunned. You could hear it revving.

7 DT: Okay. Uh-huh.

8 FT: So I jumped out of the truck to cover behind, I think,  
9 it was a minivan. Drew my weapon while I yelled at the suspect  
10 to "stop". "Let me see your hands. Lift your hands. Lift your  
11 hands. I want to see your hands." Telling him to raise his  
12 hands.

13 Then the accelerator stopped, like, like, the foot was  
14 let off the gas and from where I was I couldn't -- I could see  
15 the outline of his head but I could have seen his arms if he put  
16 them up, but he -- he laid still. There was no movement from  
17 inside the truck after that. I yelled at Hara. "Hara, can you  
18 see his hands? Can you see if -- Can you what's going on?" Hara  
19 said, "I can't see what's going on. I can't see him. I can't  
20 see him. I don't have a view." Because the way everything was  
21 set up. I got on the radio. I broadcast a "999, shots  
22 fired. We need assistance or 8A 999, shots fired." I think -- I  
23 don't know what dispatch heard, but I think the dispatch kept  
24 getting -- she was giving out, I guess, the wrong location or  
25 didn't know what was going on. I got on there again and said,  
26 "999 shots fired. One suspect is down," because I believed him  
27 to be hit. Not responding --

28 DT: Uh-huh.



1 FT: -- to our verbal responses to get his hands up and not  
2 move, get his hands up. Things like that. There was not -- no  
3 movement at all in the vehicle. We keep -- we kept the car  
4 covered and units were coming in. She was -- the dispatcher kept  
5 saying, "Nyeland Acres," and giving some address on Nyeland  
6 Acres as far as where the distress was our 999. I had again get  
7 on there, "Negative." Give the hotel. Give my call sign. A  
8 couple times, I believe, I had to do that and finally I think she  
9 got it right.

10 We kept the car covered and that's when county unit  
11 pulled up with Deputy Handy and Deputy Keneman. I believe they  
12 are Charles one tonight.

13 So they responded and I told -- I told -- as they were  
14 running up -- I told Burt to stand by on the passenger side. I  
15 had Keneman come to my location to cover the car. I told Burt,  
16 "We have to go. He's not moving. I can't see where we have to  
17 go. Clear him. Check him. You know see if we need to  
18 administer first aid to him."

19 DT: Uh-huh.

20 FT: So we approached the car. Burt actually did on the  
21 passenger side. I slowly came up on the driver's side and we told  
22 everybody, "Watch your cross fires. Watch your cross fires." As  
23 Burt "pied" the driver's, passenger side, he told me he could see  
24 his hands. His hands were down, and the suspect was not moving.  
25 His eyes were shut, something like that, I told Burt -- and as I  
26 approached, I shined my light in as I "pied" then I saw that his  
27 hands were in his -- in his lap kinda like this. Just resting  
28 there. I told Burt, "I see his hands. I see his hands. I got

1 his hands covered. Open the door, passenger's door," because  
2 everything was locked. And the way the passenger's door window  
3 was blown out, you could stick your hand in the opening.

4 Burt got that open. I stuck my hand through my side. Got  
5 mine open. As I did that, we had the doors open, Burt still  
6 hadn't covered. I asked Burt, "Can you see a -- can you see any  
7 entry wounds? Anything like that. I couldn't see where he was  
8 shot. Burt said he couldn't see it. I checked for pulse and he  
9 had a strong pulse and he had breath and his chest rising.

10 DT: Uh-huh.

11 FT: I kept my hands basically on his hands securing his  
12 hands as Burt checked him for wounds and injuries and we saw  
13 nothing. There was no injuries we could see. And I kept my hand  
14 on his pulse just in case we, there was something in the clothing  
15 we missed. And I felt a strong pulse all the way up until  
16 paramedics arrived and took over.

17 I cuffed his hands in front and patted the front down  
18 of the truck with my right hand as I check -- continued checking  
19 his pulse with the left. I kept my hands on him, and the whole  
20 time I could see his eyes fluttering because I shined my light in  
21 his face and tears were coming down from his eyes, breath was  
22 rising and his pulse was strong. We also requested the ambulance  
23 because it had been there -- it had been so long since it happened  
24 and no one had shown up yet.

25 So and the ambulance finally got there. We checked  
26 him more. We got a "C" collar him and we couldn't see any --  
27 still any injury. I tried to stern- -- sternum rub on him to  
28 wake him up to get him to open his eyes. He wouldn't do it.

1 They checked his eyes and they were responsive as if he was  
2 trying to keep them closed and not open his eyes. His pupils  
3 were -- were okay.

4 DT: Reacted?

5 FT: Reacted. And he was actually trying to bring them up  
6 in his head so we couldn't see his pupil as he's breathing the  
7 whole time. We could find no entry wounds on him at all. So the  
8 ambulance drivers also tried the sternum rub and he wouldn't  
9 respond. We put a "C" collar on him, drug him out of the car  
10 carefully, placed him on the gurney, assisted the ambulance  
11 drivers in cutting off his clothing. We removed all of his  
12 clothing. I placed it in the back bed of the vehicle of his --  
13 that truck and there was no scars or marks or whatever on him.  
14 He did have on his hand a couple of scratches where glass fell,  
15 but that was the only marks on him whatsoever.

16 And then I double cuffed him. I cuffed -- I uncuffed  
17 his hands and secured each hand to the gurney.

18 DT: Gurney.

19 FT: He was put in the ambulance. The whole time we were  
20 telling him to wake up. "Wake up. We know you're faking. Wake  
21 up. You think it's over? Wake up. Open your eyes." And he  
22 wouldn't respond to anybody. Wouldn't say anything. That's when  
23 everybody showed up. The scene was secure. He was placed in the  
24 back of the ambulance. Deputy Keneman and Handy were ordered to  
25 go with him. I told Loes to have a seat in the car and secure  
26 him as units came in and then everybody else showed up, Sergeant  
27 Hunt, actually Senior Deputy Cargile took over and Sergeant Hunt  
28 arrived and also took over.

1 DT: Okay. As far as you know, only Loes fired his weapon?  
2 You don't know -- you didn't observe Hara to fire his?

3 FT: No, I just -- I didn't -- Hara wasn't in my sight, my  
4 line of sight, but Loes was.

5 DT: And Loes was on which side of the vehicle? Driver or  
6 passenger?

7 FT: Loes was on the passenger side of the vehicle. It --  
8 I think, if I'm remembering correctly, it was like a green  
9 utility box. I think he was using that as cover. Hara's behind  
10 me to the right, which is between the tailgate and -- and the  
11 passenger side. That's what I recall.

12 DT: And was Loes in -- he's in his street clothes? No  
13 badge displayed, that you know of?

14 FT: No, not that I know of.

15 BY: How many shots did you hear?

16 FT: I distinctly heard one, but there could have possibly  
17 been two. I know for sure one. Whether there was a second one  
18 or not, it's kinda -- it's kinda ringing so I believe it may have  
19 been two, but I know for sure one.

20 BY: Both from Loes side?

21 FT: I just heard. That's all.

22 BY: Were -- if Hara had fired, would you be in his line of  
23 fire?

24 FT: Um --

25 BY: You said he was behind you and to the right.

26 FT: Well, yeah to the right. So if he fired, it would be  
27 going through the -- I was in the back. He would be going  
28 through the extra cab window to the passenger's window. That --

1 that's just the last thing I remember jumping in the bed. Where  
2 he went after that, I don't know.

3 BY: Was the slider open when you jumped in the bed?

4 FT: Yeah, the slider was open I would say approximately  
5 two to three inches.

6 BY: So you knew you could slide it open?

7 FT: Yeah, I slid it open and got my hand in there to OC  
8 him. That's when he started reversing forward it in the truck so  
9 I lost balance. I lost my OC.

10 BY: You think you got spray on him at all?

11 FT: I got a spray in the cab.

12 BY: In the cab?

13 FT: Because I got some on my myself.

14 BY: Where do you think your OC wound up, in the cab or in  
15 the trunk?

16 FT: It's either in the cab of the vehicle or the bed. So  
17 I -- I don't know where it's at. I lost it. I dropped it when I  
18 was flying back.

19 BY: How many times do you think you got thrown back and  
20 forth?

21 FT: That's the hard part. I'm trying to remember as hard  
22 as I can. I know I had to go back. When I initially got in the  
23 truck, got the cab open, the window open, got in there, I had to  
24 go once upon and went forward again as he went forward. I  
25 believe we forward more into the tree, actually gunned it

26 BY: You jumped in -- you jumped in after he had already  
27 hit the car?

28 FT: Yes, I did.



1 BY: And he was going forward again?

2 FT: Yes.

3 DT: And did you jump in from the tailgate?

4 FT: Yes, I did.

5 DT: So he was probably going forward at that time or was  
6 he --

7 FT: He was already --

8 DT: -- or is he backed into the unit at that time?

9 FT: No, he was backed -- he backed into the unit and went  
10 forward. And when he went forward, that's when I got into the  
11 truck. Oh, no. I'm sorry. He went forward. Waited there a few  
12 seconds because I went to the driver's side trying to get the  
13 door open and tell him to open the door. It was locked. So  
14 that's when I jumped in the bed of the truck to open up the  
15 slider to get in there. Went back. Hit the car again, went  
16 forward.

17 DT: You had your flashlight with you?

18 FT: Yes, I had.

19 DT: Did you ever make eye contact? Could you -- I know  
20 it's -- the windows are tinted somewhat.

21 FT: The back window was tinted. The front window was not.  
22 I saw his side profile. He wouldn't look at me. He's just -- he  
23 was on that steering wheel. Because I -- as I tried to open the  
24 door, you know, I got to see what he's got in his hands  
25 (INAUDIBLE). So I'm trying to get the door open and got my  
26 flashlight and he's just -- he's just looking straight with an  
27 determined look on his face. He wouldn't look at me.

28 Once I couldn't get the door open there was -- I

1 backed out of there and I saw that the slider was open. That's  
2 what I thought. I thought I could get in the bed of the truck,  
3 get in, OC, get in -- get the window open.

4 DT: Did you -- did you have the chance to yell to either  
5 of the other two deputies Loes or Hara what you were gonna do?

6 FT: No. I jumped in there and opened (INAUDIBLE). My  
7 mind (INAUDIBLE) but I can't think of (INAUDIBLE).

8 BY: You heard the shots fire, what was position in the bed  
9 of the truck?

10 FT: I believe I was back at the tailgate.

11 BY: Lying down or --

12 FT: No, you know what? Because when he reversed it back,  
13 that's when it threw me back. When he went forward, I think I  
14 was -- I was in the bed because I was --

15 BY: Laying down?

16 DT: Down on the bed?

17 FT: No, I was probably on my knees and my hands. That's  
18 probably when I lost my OC because I wanted to get balance  
19 because I wanted to get up -- get out of the bed of the truck,  
20 you know, if this guy's gonna do stuff like that, I don't want to  
21 be in the bed of the truck. It was probably a dumb move in the  
22 first place to get in there. I thought I could get in there and  
23 spray him.

24 DT: It looked like a good idea at the time?

25 FT: Apparently.

26 DT: Did you think there was any way he would be able to  
27 get out without, I mean, the unit that was blocking him in that  
28 got struck.

1 FT: Yeah.

2 DT: That would be Hara -- that would be Hara's unit? Is  
3 there anyway that he could have got out?

4 FT: Yeah.

5 DT: If he kept pushing -- kept banging --

6 FT: Probably. One more good one, he would have reversed  
7 himself right out of there.

8 DT: Uh-huh.

9 FT: I don't think it would have any problem. I think  
10 actually if he would have gunned it enough the first time, that  
11 truck could have pushed the unit out of the way.

12 DT: Were his headlights on? Is he still blacked out --  
13 the truck that is.

14 FT: I think -- I think he's still -- no. You know what?  
15 He turned his lights on and then reversed it and hit Hara's car  
16 the first time. Because I was confused as to what was going on.  
17 As I drove up and got out of my car, when he hit the car, I was  
18 going, "Stop. Stop. What are you doing?"

19 It took me by surprise going, walking up because I had  
20 hadn't talked to them. I hadn't had time to see, you know,  
21 what's this guy's story. I don't even know if they even talked  
22 to him in the truck because as I reversed and got out of my  
23 vehicle and I told the lady, "I'm gonna go see what's going over  
24 here." That's when it all happened. I haven't talked them about  
25 it.

26 DT: Do you know who shut the motor off in the truck?

27 FT: That was me because we were checking him the car was  
28 still on and it was still in drive into the tree.

1 DT: So you put it in park?  
2 FT: Yes, I did. I put it in park and I turned the keys  
3 off.  
4 BY: Are the lights still on? Did you turn the lights off?  
5  
6 FT: The lights should still be on. I didn't touch the  
7 lights.  
8 BY: They would go off automatically if you turn the keys  
9 off. I know they go off automatically.  
10 FT: I don't remember.  
11 DT: Okay.  
12 BY: Radio playing?  
13 FT: Not that I'm aware of. If it was, I didn't hear it.  
14 I didn't notice it. Thinking back now, while we still in the  
15 truck securing him, holding him, checking his pulse, I didn't  
16 hear a radio.  
17 DT: When Hara and Loes contacted him, which -- did they  
18 both go to the passenger side, that you saw?  
19 FT: It look like it because Hara went -- it looked Hara  
20 went to the passenger side and Loes stood behind him. His --  
21 DT: Just kinda was cover officer.  
22 FT: Hara talked -- well it looked like he was talking and  
23 I could verbally -- I could visually see his mouth moving so  
24 that's why I figured yeah, there's somebody in the truck because  
25 why would he be talking --  
26 DT: Talking to nobody.  
27 FT: -- talking to the door?  
28 DT: Right. So that's why I knew somebody's in the truck.

1 DT: And what was Hara -- was he wearing his yellow rain  
2 slicker?

3 FT: I think Hara is wearing his (INAUDIBLE).

4 DT: And both the doors to the truck were closed at the  
5 time and the windows were up?

6 FT: Yes.

7 DT: That was the whole problem is that --

8 FT: Everything was just locked up.

9 DT: Locked up. .

10 FT: Except the rear slider because Deputy Handy also had  
11 to go in to unlock the door to get him (INAUDILBE).

12 DT: He got open the passenger side?

13 FT: He got open the passenger side.

14 DT: And you did the driver's side?

15 FT: Driver's side.

16 DT: And you were able to do that because both windows were  
17 blown out?

18 FT: Yeah, there's a hole.

19 DT: Did you make the hole bigger with the flashlight or  
20 anything?

21 FT: No, because -- it was a pretty good size hole. I  
22 didn't want to cut myself obviously. I think I might have pushed  
23 a little section out to get my hand in, but it was pretty much --  
24 pretty much -- it was shattered glass.

25 DT: This guy wearing a seat belt?

26 FT: No.

27 DT: Did you ever hear anybody identify themselves as,  
28 "Sheriff's department," or "Police"?



1 FT: Not when, like I said, I got there then he started  
2 backing up. I didn't hear that. I just --

3 DT: Just "stop"?

4 FT: Just, "Stop. Stop the car. Stop. Stop it. Stop the  
5 car."

6 DT: And who's giving those commands?

7 FT: I was doing that. Hara was doing it. Loes was doing  
8 it also.

9 BY: When you were in the back of the truck -- and where is  
10 Hara right now?

11 FT: Like I said, he's -- the last I remember him to be  
12 would be on my right side.

13 BY: On passenger side?

14 FT: It would be the passenger side.

15 BY: In relation to Hara, where is Loes?

16 FT: Loes -- there's a -- a green power back is sticking --  
17 power box is sticking in my mind. I think he was taking cover  
18 there where he had a perfect straight on shot on the passenger's  
19 side. If anything Hara was removed to the right. He was out of  
20 my view so he was more -- he was probably farther. Probably --  
21 if I was to estimate, I would say. Tailgate of the truck to the  
22 right probably to --

23 BY: Draw me a picture.

24 DT: We can go down and walk through it too.

25 FT: Truck -- actually the truck's at an angle now but this  
26 is just. The car is right here. This is where (INAUDIBLE) was  
27 standing.

28 DT: Put a pointy thing to show the front of the truck.

1 FT: I know there was a tree because I believe that's what  
2 he ran into. The truck and me. This is passenger side. I  
3 believe there's an island here and there's a power box. It's  
4 got -- it's something. I know there's a structure here and this  
5 would be Loes. This would be me and this would be Hara. I  
6 believe it be around in this direction here because he would  
7 be -- to be moving that's out of my sight. So he was around  
8 here, probably closer to around here.

9 DT: So this is after?

10 FT: This is when it's going on.

11 DT: You just drove. This is after -- the truck has  
12 already gone in reverse and smashed the back of the --

13 FT: Yeah, yeah.

14 DT: -- made contact with the --

15 FT: Yeah. Because the first time. Here's my vehicle. I  
16 reversed it in. That's why it's reversed. And I got out to  
17 contact him -- to contact him on this side because this would be  
18 the driver's -- no.

19 DT: Huh-uh.

20 FT: This got to be the driver's side. Walk around this  
21 way. It happened -- boom. He hit the truck. Went in. I  
22 think -- however he's angled. I think he's angled to go this  
23 way. He's angled to try to ram out again. That's when that  
24 happened. And I think Hara -- when that happened -- when he went  
25 back, Hara came onto this side. Hara is here. And I get out.  
26 He goes forward again and, I think, Hara came around this side to  
27 see the passenger's door because I came around this side.

28 DT: You tried the door?

1 FT: Yeah, I tried the door. Tried to get it open. That's  
2 when I noticed that. Backed up because -- because after he hit  
3 it, he went forward again. I think he was screwing with the  
4 gears. I don't know if he knew how to drive that truck or what,  
5 but I don't think he was familiar with it. So when I saw that, I  
6 backed up. Got in the bed. That's when he came back again --  
7 bam.

8 DT: Hit again?

9 FT: Went forward. Yeah.

10 DT: Hit? Made contact?

11 FT: Yeah. Believe that's -- that's when he -- that's when  
12 he did that. Went forward. I'm in the back of the bed here. I  
13 think Hara's still -- he's on this side. He stayed pretty much  
14 over here. Loes had the power box covered -- covering it this  
15 way. I'm in the back bed of the truck and, yeah, that's what  
16 happened. And then after it happened, he pretended to be shot  
17 and the car went forward.

18 BY: This is Hara over here?

19 FT: Yeah, this is Hara.

20 BY: Make an "H" or something. This is -- this would be  
21 west -- what you're describing to us.

22 FT: This is west. This is east.

23 BY: Okay.

24 FT: This is where the parking lot.

25 DT: Comes in.

26 FT: Comes in. And it goes like this.

27 DT: Okay. As you get out, he rams -- he rams it the first  
28 time.

1 FT: Yeah.

2 DT: You know you got a problem.

3 FT: Uh-huh.

4 DT: He goes forward. You try the door thing.

5 FT: As I'm yelling at him.

6 DT: As you're yelling at him to stop and Hara moving over  
7 to -- the passenger side.

8 FT: Yeah.

9 DT: And then you get in the back of the truck while he's  
10 still in the forward position.

11 FT: Correct.

12 DT: The window's open. That's the reason you get in  
13 because you saw the window --

14 FT: Yeah.

15 DT: -- was open?

16 FT: I was able to get in there and get my OC. Try to get  
17 a blast at him.

18 DT: So you --

19 FT: Telling him to stop the whole time.

20 DT: And that's when the car's in the forward position,  
21 we'll call it?

22 FT: Correct.

23 DT: After you discharged the OC, he goes in reverse again.

24 FT: Yeah.

25 DT: And hit a big truck, throwing you back, momentum goes  
26 back and then -- and then it's forward again.

27 FT: Yeah, he goes forward.

28 DT: Pulling you back forward, you lose your OC and you're

1 down on your hands and knees.

2 FT: I still have my flashlight though.

3 DT: Okay. Have your flashlight. But you're -- you're in  
4 for the wild ride.

5 FT: Correct.

6 DT: These guys are yelling all the time to stop the truck.

7 FT: Uh-huh.

8 DT: After -- you're in the bed of the truck. He's -- ram  
9 the -- the unit, Hara's unit, for the second time and he goes  
10 forward. At what point were the shots fired, that you heard?

11 FT: When he went forward again, when he went forward, I  
12 believe, yeah, he had to have stopped. That's when it happened.  
13 I don't know if they saw something else I didn't. But when the  
14 shots rang out, the car went forward, stopped. I jumped out. It  
15 went forward because the foot was the on accelerator. And he hit  
16 the tree. And that's when I jumped out and drew my weapon and  
17 there's like a minivan right here, so I stayed right here to  
18 cover this way. Loes covered that way. Hara covered this way.

19 DT: Okay.

20 FT: And we waited for C1 to show up, so we could get more  
21 people to do an approach.

22 DT: Were you on your hands and knees when the shot was  
23 fired?

24 FT: I believe so. While I was in the bed of the truck, I  
25 wasn't at the window.

26 DT: Did you see any muzzle flashes?

27 FT: No. I -- there was, I believe, it was Loes's, because  
28 even though I'm pretty hard of hearing in this ear right now, I



1 feel kinda sick, as I saw -- but not saw. But I heard it coming  
2 from here and plus after it happened, Loes was a little bit  
3 shaken up maybe because the guy went forward and he was visually  
4 shaken up about what happened.

5 DT: Uh-huh.

6 FT: So.

7 DT: You didn't -- you didn't see him fire his weapon?

8 FT: No, I did not. But I --

9 DT: And you did not see Hara fire his weapon?

10 FT: No, I did not.

11 DT: Okay. But the discharge of the firearms that you  
12 heard occurred after the second -- after you OC'd -- he rams  
13 into the -- the vehicle again and then goes forward again. Was  
14 it -- was it while it was going forward and you're thrown to  
15 the -- to the bed of the truck on your hands and knees?

16 FT: I think it was -- had to be like the second he  
17 stopped.

18 DT: Second he stopped on the forward part?

19 FT: Yes. He stopped because I think he was trying to get  
20 it in gear again.

21 DT: I got you.

22 FT: I don't believe he got it in gear because when the  
23 shots rang out --

24 DT: "In gear," you mean into reverse again?

25 FT: To reverse again. Yeah, because when the shots busted  
26 the windows out, he went completely out of it. And the car -- he  
27 put his car on the accelerator again. His foot was on the  
28 accelerator so the car went forward quick jerking, the engage

1 stayed revving probably.

2 DT: And the tree's what's keeping it from going any  
3 further; correct?

4 FT: Correct. Just keeping it from going in to the brick  
5 wall.

6 DT: It's in drive. And it's --

7 FT: Yeah.

8 DT: And it's revvin'.

9 FT: It is and -- his foot actually -- after a few seconds  
10 I think -- gets taken off the gas because it stops revving.

11 DT: Are the wheels spinning, you know?

12 FT: No, it's -- it's -- it's an automatic so it's just  
13 there and it's just -- the engine's humming but it's just not  
14 going anywhere. The wheels are moving. Like I said, it had to  
15 be, if I had estimate, 5 to 10 seconds before he takes his foot  
16 off the gas and it just continues to idle into the tree, it's  
17 idling at the tree.

18 DT: Right.

19 BY: This is -- this is your car?

20 FT: Yes, this is --

21 BY: And you're going this way?

22 FT: I'm going this way. Hara's going this way because he  
23 came in this way and I came in this way. This is where the door  
24 is to the front entrance --

25 BY: Uh-huh.

26 FT: The back entrance rather. I went this way. Contacted  
27 her, as I told him where to go. He continued and he -- he lit up  
28 the truck as it was here. And I wanted find out what was going

1 on, I jumped in my car. Reversed it really quick, backed up to  
2 where the front of his car or the back of his car was.

3 BY: Uh-huh.

4 FT: That's why my car's parked like that and I got out.  
5 That's when it all --

6 DT: That's when it happened?

7 FT: Yes.

8 DT: Okay. Do you know where Loes parked?

9 FT: Yeah, Loes -- Loes -- this is more parking stalls  
10 here.

11 DT: Uh-huh.

12 FT: Loes pulled his car right into the stall. He got his  
13 personal car and he just pulls right in. Parked it.

14 BY: What kind of car is it?

15 FT: It's a little white compact, probably like a Mazda  
16 323, two-door thing.

17 DT: Put your initials and ID number down there.

18 BY: What are you thinking when you're in the back of the  
19 truck and this guy's going back and forth and you're flapping  
20 around back there?

21 FT: That this guy's trying to get away. It doesn't matter  
22 if I'm in there or not. I think he's trying to take one of us  
23 out to get away. I was in fear for my life.

24 BY: Do you think he knew were in the back of the truck?

25 FT: Oh, yeah.

26 BY: Really?

27 FT: He definitely knew I was back of the truck because I  
28 told him. Besides himself getting sprayed, I told him as I

1 stook my hand in there, open the window, "Stop now. Stop now.  
2 Stop. Stop." So basically I was actually -- slid it open. I  
3 reached in there as far as I could to stick my head in there and  
4 yet at him to stop. "Stop. Stop. Now you're gonna get shot.  
5 Stop. Stop. Stop now." I, as I'm spraying.

6 BY: Did you ever have any eye contact with the guy with  
7 a -- (INAUDIBLE)?

8 FT: No, he's -- he's -- he's doing this also. Different  
9 from when he was actually keeping forward when I went up to  
10 approach the driver's door.

11 BY: Uh-huh.

12 FT: Now he's just, you know, freaking out and I'm telling  
13 him to stop. I think he saw -- he must have saw OC coming in  
14 because he went this way.

15 BY: Did he ever look over his shoulder and see who's  
16 yelling at him?

17 FT: I think from the way he was driving, I think he -- he  
18 did like a glance like a -- he's not turning his head totally but  
19 when he heard -- I think when he heard the window opening up, me  
20 sticking my head in there and telling him, I mean, you can --  
21 obviously there's a difference in volume when the windows are  
22 shut and the guy's yelling at you outside, that window is open  
23 and I'm in -- in his space and I'm yelling at him to stop the  
24 car. "Stop the car now." There's no question that he knew I was  
25 in the vehicle. I was able to get one spray off.

26 BY: How long do you think a blast you get in there?

27 FT: Probably two second blast before he put it back in --

28 BY: Did you get any blow back into your face on that?

1 FT: I got -- I got a little bit because I was still  
2 feeling a little residual right here, but I don't think when I  
3 blasted it into the truck, I think it was when I was dealing with  
4 him when I secured him.

5 DT: Okay. Time's 7:22.

County of Ventura  
Sheriff's Department

MEMORANDUM

**To:** Sgt. Robert Young                      **Date:** February 6, 1998

**From:** Analysis and Decision Support Group

**Subject:** 98-10973

**Re:** Deputy Mark Hara

**Date of Interview:** February 2, 1998

**Time of Interview:** 0916

**Rapidtext Operator:** [REDACTED]

**Legend:** BY = Bob Young  
DT = Dan Thompson  
MH = Mark Hara



1 DT: It's February 2nd. 9:16 in the morning. We're in Room  
2 215 of the Country Inn on Del Norte. I'm Dan Thompson, my  
3 partner Sergeant Bob Young and Deputy Mark Hara.

4 What's your ID number Mark?

5 MH: 2508.

6 DT: 2508. And you were working dawn shift last night?

7 MH: Yeah.

8 DT: And that's from 2245 to 0730 are your work hours?

9 MH: Yeah.

10 DT: And what unit were you -- what area were you assigned?

11 MH: I was working 8B11, which would be the center part of  
12 the city.

13 DT: And do you remember your unit number?

14 MH: 3004.

15 DT: Is this your Monday, your Tuesday, your Friday?

16 MH: Tuesday.

17 DT: This is your Tuesday. This is your second night. Did  
18 you sleep yesterday morning or yesterday? Did you get to sleep?

19 MH: Yeah. I slept from about 9:30 until 6:00 (INAUDIBLE).

20 DT: You got eight, nine hours of sleep. It rained some?

21 MH: Definitely.

22 DT: In 8A last night was -- was Torpey?

23 MH: Correct.

24 DT: And 8C was Robert Hull, I understand?

25 MH: Yes.

26 DT: Did you guys have any significant calls prior to this  
27 call? Anything -- anything of note?

28 MH: Nothing real -- the only thing -- the only call we had

1 before that was of an alarm call at Applebee's.

2 DT: The restaurant there?

3 MH: Yeah.

4 DT: Nothing to it?

5 MH: Nothing to it. It was locked up tight.

6 DT: No arrests prior to, no 10-15's?

7 MH: Huh-uh.

8 DT: You didn't? `

9 MH: No. I had a couple of traffic stops. That's about it.

10 DT: Okay. Tell me about this call. Where you were when  
11 you got it and everything you did and saw as it relates to this  
12 call?

13 MH: I was over in the areas Las Posas and Lewis. The call  
14 came out as a suspicious subject. The hotel person was working  
15 downstairs, saw a dark-colored 4x4 drive into the parking lot but  
16 didn't see anybody get out of it.

17 DT: Uh-huh.

18 MH: So Torpey and I arrived about at the same time. I went  
19 around to the west side.

20 DT: The second entrance?

21 MH: The second entrance and then Frank came in the front  
22 side.

23 DT: Did you guys talk to each other on the radio to  
24 coordinate that or you just saw that he went in that way so you  
25 came in the other way?

26 MH: Yeah.

27 DT: It's kind of on something you do?

28 MH: Yeah.

1 DT: Got you.

2 MH: He came all the way to the back entrance of the hotel  
3 and I came up near him and Chris Loes was also following him  
4 because of -- been having a 314 suspect running around and he was  
5 on surveillance tonight and he talked -- I was talking to Loes  
6 and Torpey contacted the person who worked downstairs. He then  
7 pointed out the -- the green truck at the end of the road there.

8 DT: Who did?

9 MH: Frank Torpey. So I pulled my car down behind the  
10 truck, partially behind the truck, got out and went up to the  
11 passenger's side door 'cause there wasn't much room between the  
12 driver's side door and the vehicle parked next to it. Shined my  
13 flashlight inside and I saw a guy laying down sort of huddled,  
14 laying down facing me across the seat. So I shined my light  
15 inside and he sort of looked at me like, who the heck are you.  
16 'Cause I'm wearing this big rain suit. So I flashed my  
17 flashlight on my badge. I said, "Come here. I want to talk to  
18 you. Roll down the window."

19 Somewhere in that I think Loes just come up next to me  
20 so I got him to roll down the window partway. I told him why we  
21 were there, that the hotel called on him and I asked him for some  
22 ID. He started -- he started digging around under a bunch of  
23 clothes he had there and I'm not sure exactly what he had  
24 (INAUDIBLE), but he started digging around under there.

25 As I'm watching him I asked him when he was doing here  
26 and he said that he'd come from, I don't know, Orange County or  
27 some -- somewhere out of the county. He'd -- he had stopped here  
28 to take a rest. It just seemed kind of funny that -- so he

1 finally, after digging around for a few minutes he said, "I don't  
2 have anything. I don't have any ID." So I asked him, "Do you  
3 have anything with your name on it in the truck?" Maybe the  
4 registration or something like that? But he proceeded to open  
5 the glove compartment and pulled out this pink -- looked like an  
6 invoice or receipt of some sort. He handed it to me.

7 DT: Through the open -- partially open passenger window?

8 MH: Right. So I'm looking at this thing and this isn't the  
9 registration. "What's your name?" And he gave me some name. I  
10 can't remember what it was, but it didn't match the name that was  
11 on top of the receipt.

12 DT: Uh-huh.

13 MH: So I handed it back to him. I go, "Where's the  
14 registration?" He goes, "Well I'll look for it." By that time  
15 my flashlight goes dead so I --

16 DT: Rechargeable type light?

17 MH: Yeah. So I go, "Why don't you do me a favor and step  
18 out of the truck." I look at Loes. I go, "Watch his side  
19 because I have to go get a flashlight."

20 DT: You had another flashlight in your unit?

21 MH: In the trunk. So I go back to my unit, pop the trunk  
22 and as I'm about to reach inside I hear the truck start up. I  
23 looked back and he's backing up, you know, not real fast but not  
24 slow, you know. It's really in between. I go -- I yell at him,  
25 "Stop. Hey. Stop." He doesn't. He keeps going on and hits the  
26 car. Then I'm hearing Loes, you know, yelling on the other side,  
27 "Stop. Stop." He pulls forward a little bit so I run behind the  
28 truck and get over where Loes is --

1 DT: Did you ever get your flashlight?

2 MH: No.

3 DT: Your new flashlight?

4 MH: Never got a new flashlight.

5 DT: Okay.

6 MH: So I draw my weapon and I'm not sure whether he was  
7 stopped at the time or whether he was moving forward but Torpey  
8 jumped into the back of the truck.

9 DT: You saw him do that?

10 MH: Yeah. I saw him get into the back of the truck and the  
11 truck moved forward into the tree or whatever -- up over the curb  
12 and we're yelling at him to stop the whole time and he's just  
13 not complying with anything and at this point I was, you know,  
14 either afraid that he was gonna back out and run over Loes and I  
15 and, you know, Torpey was in the back and so we fired at him.

16 DT: How many times did you shoot?

17 MH: Once.

18 DT: And where were you in relationship to the truck when  
19 you fired?

20 MH: I would say I was about three to five feet away from  
21 the passenger's side door.

22 BY: Even with the door or at an angle (INAUDIBLE)?

23 MH: I could see him so I would say I was almost even.

24 BY: Is he stoppèd or going forward or backwards or what --  
25 what's he doing?

26 MH: I think -- I think he was stopped. I -- I'm not sure.  
27 It happened quick because --

28 BY: When -- when you first -- just prior to approaching the

1 truck, did you have your spotlight on the -- on the vehicle?

2 MH: Yes, I did.

3 BY: The light is on now (INAUDIBLE).

4 MH: I -- I shined -- I turned the spotlight and shined it  
5 towards the driver's side area.

6 BY: Do you think he knew you were a cop?

7 MH: I identified myself when I was at the window. I shined  
8 my light on my badge and I said, "Hey, I need to talk to you."

9 BY: Oh. You didn't say, sheriff's department or anything  
10 like that. Just shined your light on the badge?

11 MH: I may have. I don't know.

12 DT: Was he looking at you when you did that?

13 MH: Yes.

14 DT: Okay. You had his -- you had his attention?

15 MH: Yes, I did.

16 DT: When -- when you did that?

17 BY: And he seemed to be complying with, you know, at least  
18 making an effort to look for the paperwork, like he knew that you  
19 were obviously an authority figure?

20 MH: Yeah.

21 DT: When you were at the -- the trunk of your vehicle  
22 looking for your flashlight or just about to, that's when he --  
23 he backed up and you could see he was gonna, if he kept going  
24 where he's going, he's gonna hit your car, you're yelling at him  
25 to stop. He makes contact with your unit. You quit looking for  
26 your flashlight. There's more important things going on now.  
27 You close the trunk of your car, do you remember?

28 MH: I don't believe I did.



1 DT: Did -- did that -- did that impact move your car?

2 MH: I couldn't tell whether it moved the car or not.

3 DT: Did you go around the passenger's side of your car?

4 MH: No. I don't -- I think I went behind the truck because  
5 I remember looking at it, looking at the taillights thinking, I  
6 hope this guy doesn't backup.

7 DT: So you went between your -- your unit and the truck.  
8 So he pulled forward and you --

9 MH: Yeah, he pulled forward. He started to pull forward.

10 DT: And you went between the rear of his truck and your  
11 unit which had already been hit once and you went over to the  
12 passenger's side where Loes was still positioned; is that  
13 correct?

14 MH: Yeah.

15 DT: Did -- at that -- is -- is it at that point that  
16 Torpey -- you saw Torpey get into the bed of the truck?

17 MH: I'm -- I'm not sure when exactly, you know, whether it  
18 was -- I know he ended up in the truck -- in the bed of the  
19 truck.

20 DT: After he's in the bed of the truck, did the truck ever  
21 go in reverse again towards your unit?

22 MH: That, I don't -- I don't know.

23 DT: Okay.

24 MH: I'm not sure. I can't be sure.

25 DT: That's alright. Did you ever see Torpey lose his  
26 balance or go to the -- go to -- out of your view?

27 MH: I don't remember.

28 BY: You knew Torpey was in the back of the truck prior to

1 shooting?

2 MH: Yes.

3 BY: Do you know what he was trying to do? What the game  
4 plan was?

5 MH: I think he was trying to -- he had mentioned something  
6 and I was starting to go towards the unit that the back window  
7 was open --

8 BY: Slider?

9 MH: -- slider. I assumed that he was trying to get to the  
10 driver through the slider.

11 DT: When the guy pulled forward in the truck after he  
12 backed in your unit -- not fast and not slow, just kind of went  
13 back and made contact your -- bumped into your -- your unit, when  
14 he started to go forward again did he go forward the same speed  
15 or did he lurch forward quickly?

16 MH: I think he sort of lurched forward. I -- I got the  
17 impression he was trying to get out of there. He wanted to  
18 leave. That was the impression I got.

19 DT: Work his way out?

20 MH: Yeah. I got the impression he didn't want stay around.

21 DT: I see where you get that impression. But your you're  
22 not -- you're not sure if he came back again and went forward  
23 again?

24 MH: No.

25 DT: When Torpey is in the back of the vehicle?

26 MH: I can't remember. I don't -- honestly I, you know.

27 DT: Okay. What was going through your mind besides that  
28 this guy wants to leave?

1           MH: Well, I was concerned that he was gonna try to -- he --  
2 he obviously wanted to leave. I was concerned he was gonna  
3 either run over Loes and I, trying to get out of there and that  
4 Torpey was in the back of the truck and that he was gonna get  
5 hurt in the process. You know, obviously, you know, if the guy  
6 wants to get out of there quick he's not gonna have any regard  
7 for Torpey in the back and the way the cars were situated the  
8 only way -- place he had to go was over Loes and I. So...

9           DT: So he couldn't get past your unit?

10          MH: He couldn't get past back my unit and there was a car  
11 parked on this.

12          DT: On the driver's door -- his driver's door side?

13          MH: On the driver's side door.

14          DT: Pretty close?

15          MH: Yeah. So there's no way, you know, there was only  
16 one --

17          DT: And -- and a wall in front of him?

18          MH: A wall in the front and there was a -- a span of an  
19 area that was like a curb there with an electrical box and I  
20 don't think he was gonna go over there that. And so --

21          BY: And that was you and -- you and --

22          DT: Loes.

23          BY: -- Loes. Were -- the only he can get out is going over  
24 you guys?

25          MH: Right.

26          BY: Because the electrical box is on one side, the other  
27 vehicle on the other side, the wall in front and your unit  
28 directly to his back. There's only one way he can go out and

1 that's over you guys?

2 MH: Yeah. And I -- he wasn't -- I don't think he was too  
3 concerned about hitting things because the way he pulled forward  
4 and into the -- over the curb into the tree or the wall or  
5 whatever he hit in front. So...

6 DT: So you shot to stop him from continuing his --

7 BY: Assault.

8 DT: -- assault with the vehicle?

9 MH: Yes.

10 DT: And did -- did that work?

11 MH: Yeah. After I fired and then Loes fired I -- there was  
12 no more movement inside the truck. Loes and I moved back behind  
13 the electrical box and cover, and basically stayed there until  
14 everybody else arrived.

15 BY: Any movement from inside?

16 MH: None that we could see at all.

17 BY: No -- were you yelling at him to do stuff?

18 MH: We were -- we were yelling at him to put his hands up,  
19 you know, to -- to -- just to make sure that, you know, no  
20 weapons were in the truck or whatever and he just wasn't  
21 responding at all.

22 BY: No verbal response, no movement, no nothing?

23 MH: No.

24 DT: What -- what did you perceive with the contact you did  
25 have with the suspect when you were trying to get some  
26 identification or the vehicle registration, anything with his  
27 name on it? I imagine is what you were after, something to show  
28 who he was and so forth, what was your -- what was your gut

1 feeling?

2 MH: I didn't -- I didn't feel comfortable with the initial  
3 contact. I got one of those, you know, sort of funny feelings  
4 about him just because, you know, if -- if you have your ID you  
5 usually know where it is and he was digging around under stuff  
6 which made me uncomfortable also. You know, I've never seen the  
7 guy before. I don't know him. I don't know what he's capable  
8 of. Just -- just a real weird feeling about him, the way he was  
9 acting.

10 DT: Something wasn't right. Would you say that put you on  
11 a -- on a heightened state of alert?

12 MH: I would say so. It's part of the reason why I wanted  
13 to get another flashlight so I could see what he was doing.

14 DT: Uh-huh. Did Loes have a flashlight with him?

15 MH: I don't think he did.

16 DT: Was the spotlight you had on the truck initially was --  
17 had that illuminated the inside of the truck? I know it had  
18 tinted windows on the back, but did it --

19 MH: Not real well. I could see him inside the truck when I  
20 first contacted him if I had my flashlight on him at first, but  
21 not real well.

22 DT: And when you first contacted him you said he was laying  
23 down. His feet towards the passenger's side of the -- laying  
24 across the -- the front --

25 MH: Yeah.

26 DT: -- seat. He's kind of kicking back there.

27 BY: Was he awake?

28 MH: Yeah.

1 DT: And he spoke intelligently towards you?

2 MH: Yeah.

3 DT: As far as -- he -- he was responsive anyways. It's not  
4 like he didn't understand? There wasn't a language barrier or he  
5 knew what you wanted?

6 MH: Yeah. He spoke perfect English as far as I could tell.  
7 He seemed to understand what I was saying and --

8 DT: Had excuses for why he didn't have things and you asked  
9 him where he's from and he said some other place other than --  
10 than Ventura County?

11 MH: Yeah. It was --

12 DT: Did he give you a city or a county?

13 MH: He gave me a city and I can't remember what it was.

14 DT: It wasn't --

15 MH: Somewhere -- somewhere in LA County.

16 DT: It wasn't in our county?

17 MH: No.

18 DT: You didn't recognize it as a city from our county?

19 MH: Huh-uh.

20 DT: And he gave you a name, but you don't recall the name?

21 MH: Right.

22 DT: Did he -- did you ask him, "Is this your truck?"

23 MH: No, I never asked him that.

24 DT: You just asked him for registration or something to --

25 MH: Verify who he was.

26 DT: -- verify who he was. And he said he was there 'cause  
27 he was tired and pulled over to rest?

28 MH: Uh-huh.



1 DT: Did he tell you where he's destination was?

2 MH: No.

3 BY: How is Loes dressed? Just like he is now?

4 MH: Yeah.

5 BY: Wasn't wearing a jacket or raid jacket or anything like  
6 that? Did he have his gun and badge exposed?

7 MH: I didn't see whether he had his gun and badge out. I  
8 wasn't concentrating on him.

9 DT: Did you ever see the truck hit any other vehicles  
10 besides yours?

11 MH: No, not that, I can recall.

12 DT: And you recall one time back -- medium speed we'll call  
13 it.

14 MH: Uh-huh.

15 DT: And not -- not idle speed and not revving, but just a  
16 normal backup speed?

17 MH: It wasn't -- I don't know how to -- how to describe it.  
18 It wasn't, you know --

19 DT: Enough to dent your car when it hit?

20 MH: Yeah, it dented the car.

21 DT: And when he started his car up he'd handed you the  
22 paperwork out the passenger window so the window must have been  
23 down at some point.

24 MH: Yeah.

25 DT: After you asked him to roll it down. When he started  
26 the car up did the -- did he turn the headlights on?

27 MH: I don't think so.

28 DT: Did he roll the window back up?

1 MH: That, I don't know.

2 DT: Do you remember? Did you see Torpey get out of the  
3 truck?

4 MH: No, I don't remember Torpey getting out of the truck at  
5 all.

6 DT: Did you ever see Torpey go over and try the -- prior to  
7 getting in the truck, did you ever see him go over to the  
8 driver's door of the truck?

9 MH: No, I don't remember that.

10 DT: And when he -- when Torpey -- when you saw him get in  
11 the bed of the truck, did he get in from the tailgate area?

12 MH: I don't know.

13 BY: Did you see Torpey stick his hand through the slider in  
14 the back? Ever see him open the slider more or do anything with  
15 the back slider?

16 MH: No.

17 DT: Where was Torpey at when you saw him in the bed of the  
18 truck? Was he up by the cab or back by the tailgate?

19 MH: He was up by the cab.

20 DT: And you never saw him go to the ground or get thrown  
21 down by any of the movements of the truck?

22 MH: I was -- I was looking at the driver.

23 DT: You were looking at the driver.

24 MH: I wasn't, you know, concentrating on Torpey. At least  
25 I didn't -- I couldn't tell whether he fell down or --

26 DT: Did you -- never knew him to fall down? Torpey?

27 MH: While he was in the back of the truck?

28 DT: Yes.

1 MH: I didn't see him fall down.

2 DT: Okay. And what were the commands that you were giving  
3 the suspect after you noticed you're back at your trunk, gonna  
4 get your flashlight, the car is -- the truck is moving back?  
5 Tell me the verbal commands you gave him from there to the time  
6 you shot as -- as best as you can recall?

7 MH: I think I yelled out, "Hey. Stop," three or four  
8 times. I can't -- I -- I really can't remember exactly what I  
9 said.

10 DT: Right.

11 MH: Told him to stop several times. I mean --

12 DT: Did you ever make eye contact with him after you left  
13 the trunk area of your vehicle when you over to the passenger's  
14 side of the truck? Did you ever make contact -- eye contact with  
15 him, the suspect when he was in the driver's seat? Did he ever  
16 look back over towards you at all? Do you recall?

17 MH: I can't -- I -- I couldn't tell.

18 DT: Anything else that we didn't ask you or something else  
19 you need to tell us to -- to clarify anything -- anything that  
20 needs to be clarified or detailed?

21 MH: Nothing that I can think of.

22 DT: 9:42

23

24

25

26

27

28

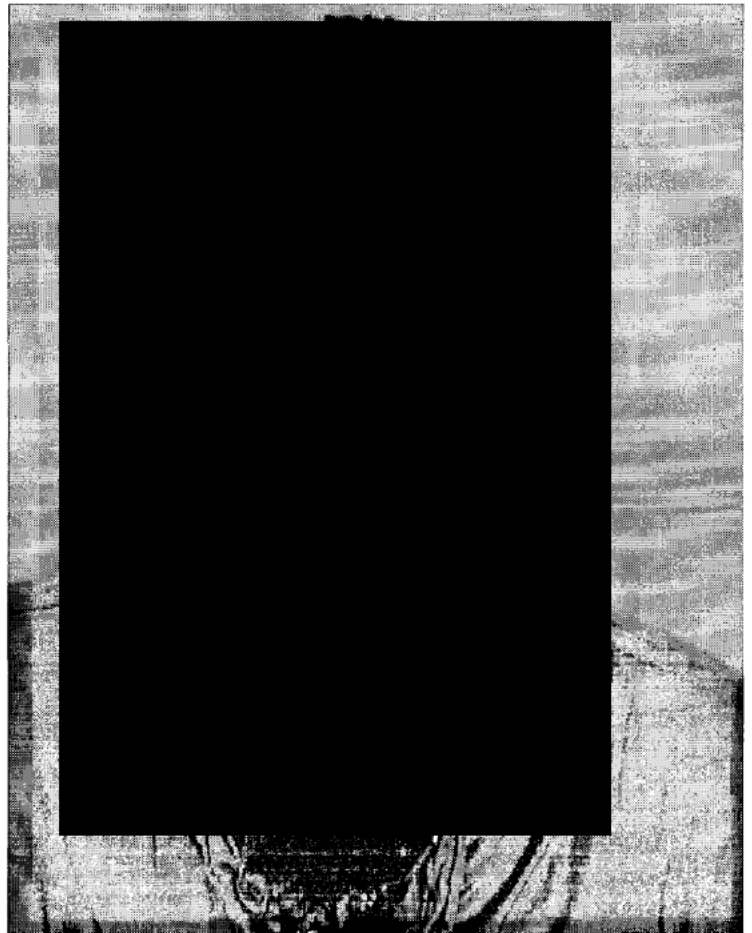


# Ventura County Sheriff

## Warrant Detail/Detectives

**B.I.#:** [REDACTED]  
**BOOKING #:** 818452  
**LAST NAME:** PETERSON  
**FIRST NAME:** LEJON  
**AKA LN:**  
**AKA FN:**  
**ARREST DATE:** 01/24/97

**RACE:**  
**SEX:**  
**HEIGHT:**  
**WEIGHT:**  
**EYE COLOR:**  
**D.O.B:**  
**Photo#:**  
**DL #:**  
**SSN:**  
**PHONE #:**  
**ADDRESS:**



**ARREST / SUSPECT REPORT**

VENTURA COUNTY SHERIFF'S DEPARTMENT  
AGENCY IDENTIFIER CA0560000

GANG  HATE Page 1 of 2

1 CONNECTING REPORT NUMBERS		<input type="checkbox"/> ARREST ADULT <input type="checkbox"/> ARREST JUVENILE		2 RD	3 BEAT	4 RB NUMBER
		<input type="checkbox"/> SUSPECT REPORT <input type="checkbox"/> STATUS OFFENDER		8050	8A01	98-10973
5 CODE	6 NAME (Last, First, Middle, Gen.)			AKA / Moniker		7 BOOKING NUMBER
A	PETERSON, LEJON DESAND					
19 RESIDENCE ADDRESS				CITY	STATE	ZIP
TRANSIENT						
21 BUSINESS / SCHOOL NAME		ADDRESS ( <input type="checkbox"/> Same as Box # _____)		CITY	STATE	ZIP
UNKNOWN						
23 OCCUPATION ( <input type="checkbox"/> STUDENT)		24 DAYS OFF	25 WORK HRS.	26 INTERPRETER		
UNKNOWN		N/A	N/A	NO		
28 VEH. LIC. NO. / STATE	29 VEH. COLOR	YEAR	MAKE	MODEL	BODY STYLE	30 DISPOSITION
* NEW	GRN	98	FORD	F150	PIV	* STOLEN VEHICLE IMPOUNDED AS EVIDENCE
31 DATE / TIME OF ARREST		32 LOCATION OF ARREST ( <input type="checkbox"/> Same as Box # _____)			CITY	STATE
2-2-98 0945		ST. JOHN'S PLEASANT VALLEY HOSPITAL			COMARILLO CA	W. CENTRY 1682
34 TYPE OF ARREST		35 LOCATION OF OFFENSE ( <input type="checkbox"/> Same as Box # _____)			36 TRANSPORTING OFFICER / ID NO.	
<input checked="" type="checkbox"/> PC <input type="checkbox"/> WARRANT <input type="checkbox"/> PRIVATE PERSON		1405 DEL NORTE			COMARILLO CA.	
37 CODE SECTION / DESCRIPTION		M	F	DOCKET NO.	DATE ISSUED	COURT
245 (A)(1) P.C. ADD ON			X			
10851 V.C. STOLEN VEHICLE			X			
1767.3 W&I - C/A HOLD			X	SEV4386	1-30-98	CYA NO BAIL
38 PARENT / GUARDIAN NAME		ADDRESS ( <input type="checkbox"/> Same as Box # _____)		STATE	ZIP	39 PHONE NO.
						( )
42 EMERGENCY NOTIFICATION NAME ( <input type="checkbox"/> Same as Box # _____)					CITY	STATE
UNKNOWN						
44 COMPLAINTS / EVIDENCE OF ILLNESS OR INJURY						
COMPLAINT OF PAIN - SHOULDERS TO HIPS.						
45 REQUEST FOR PROSECUTION		I hereby arrest the above person on the charge(s) indicated above and request he/she be taken into custody. I request prosecution of the person I have arrested.			SIGNATURE:	
46 ARRESTING PERSON'S NAME (Print)		RESIDENCE ADDRESS		CITY	STATE	ZIP
48 IN VIEW OF THE INFORMATION HEREIN STATED, THE ABOVE ARRESTEE WAS NOT RELEASED PURSUANT TO 853.6 PC, SPECIFICALLY BECAUSE:						
<input type="checkbox"/> Arrested for misdemeanor violation of domestic violence protective court order.			<input type="checkbox"/> Immediate release would jeopardize prosecution.			
<input type="checkbox"/> Intoxicated state may result in danger to self or others.			<input type="checkbox"/> Reasonable likelihood that offense would continue by release of the person arrested			
<input type="checkbox"/> Required medical examination or medical care or otherwise unable to care for own safety.			<input type="checkbox"/> Demanded immediate appearance before a magistrate or refused to sign notice to appear			
<input type="checkbox"/> Arrested under one or more circumstances listed in Sections 40302 and 40303 CVC.			<input type="checkbox"/> Reason exists to believe person would not appear at time and placed specified on notice			
<input type="checkbox"/> There were one or more outstanding arrest warrants for the person.			<input checked="" type="checkbox"/> Other (see narrative).			
49 ARRESTEE STATUS: <input checked="" type="checkbox"/> IN CUSTODY / DETENTION <input type="checkbox"/> 849(b) PC <input type="checkbox"/> JUVENILE CITATION <input type="checkbox"/> MISD. CITATION						
RELEASED TO				CITATION NUMBER		
50 WHERE WAS ARRESTEE BOOKED?				51 DATE / TIME OF COURT APPEARANCE		52 COURT / DIVISION
VENTURA CO. MEDICAL CENTER						
53 CASH	COIN	TOTAL		WITNESSED BY		DATE / TIME
54 ADMONISHED		ADMONISHED BY		55 WAIVED		56 DATE / TIME
<input type="checkbox"/> YES <input checked="" type="checkbox"/> NO		W. CENTRY		ASKED IF HE COULD TALK - HE SAID YES NO BY TURNING HEAD SIDE TO SIDE		2-2-98 0945
57 DATE / TIME REPORTED		58 DATE / TIME OF REPORT		59 REPORTING OFFICER / ID NO. / DIV. / UNIT		60 APPROVED BY
2-2-98 0421		2-2-98 1500		W. CENTRY 1682 SHERIFF 55/MC		[Signature]
61 COPIES TO <input type="checkbox"/> DET / MC <input type="checkbox"/> NARC <input type="checkbox"/> GANG / SED <input type="checkbox"/> STATS <input type="checkbox"/> PRESS <input type="checkbox"/> DOJ <input type="checkbox"/> COURT <input type="checkbox"/> OTHER						

**ARREST / SUSPECT REPORT**  
(CONTINUED)

VENTURA COUNTY SHERIFF'S DEPARTMENT  
AGENCY IDENTIFIER CA0560000

Page 2 of 2

62 RB NUMBER

98-10973

63 CODE		64 NAME (Last, First, Middle, Gen.)						65 AKA / Moniker			
66 RACE	67 SEX	68 HT	69 WT	70 BUILD	71 HAIR	72 EYES	73 DOB	74 AGE			
75 RESIDENCE ADDRESS / ( <input type="checkbox"/> Same as Box # _____ )							CITY	STATE	ZIP	76 RESIDENCE PHONE ( )	
77 BUSINESS / SCHOOL NAME							ADDRESS / ( <input type="checkbox"/> Same as Box # _____ )	CITY	STATE	ZIP	78 BUSINESS PHONE ( )
79 OCCUPATION / ( <input type="checkbox"/> STUDENT )			80 DAYS OFF		81 WORK HRS.		82 INTERPRETER		83 OPERATOR'S LIC. NO. / STATE		
84 VEHICLE LIC. NO.		85 VEH. COLOR		YEAR	MAKE	MODEL	BODY STYLE		86 DISPOSITION		
87 CODE		88 NAME (Last, First, Middle, Gen.)						89 AKA / Moniker			
90 RACE	91 SEX	92 HT	93 WT	94 BUILD	95 HAIR	96 EYES	97 DOB	98 AGE			
99 RESIDENCE ADDRESS / ( <input type="checkbox"/> Same as Box # _____ )							CITY	STATE	ZIP	100 RESIDENCE PHONE ( )	
101 BUSINESS / SCHOOL NAME							ADDRESS / ( <input type="checkbox"/> Same as Box # _____ )	CITY	STATE	ZIP	102 BUSINESS PHONE ( )
103 OCCUPATION ( <input type="checkbox"/> STUDENT )			104 DAYS OFF		105 WORK HRS.		106 INTERPRETER		107 OPERATOR'S LIC. NO. / STATE		
108 VEHICLE LIC. NO. / STATE		109 VEH. COLOR		YEAR	MAKE	MODEL	BODY STYLE		110 DISPOSITION		

<b>111 HAIR DESCRIPTORS</b> CODE <input type="checkbox"/> a. Unknown <input type="checkbox"/> b. Bald/Shaved <input type="checkbox"/> c. Collar <input type="checkbox"/> d. Long <input type="checkbox"/> e. Receding <input type="checkbox"/> f. Thinning <input type="checkbox"/> g. Coarse <input type="checkbox"/> h. Fine <input type="checkbox"/> i. Thick <input checked="" type="checkbox"/> j. Afro/Natural <input type="checkbox"/> k. Braided <input type="checkbox"/> l. Bushy <input type="checkbox"/> m. Dreadlocks <input type="checkbox"/> n. Greasy <input type="checkbox"/> o. Military <input type="checkbox"/> p. Ponytail <input type="checkbox"/> q. Straight <input type="checkbox"/> r. Wavy/Curly <input type="checkbox"/> s. Wig <input type="checkbox"/> z. OTHER	<b>112 FACE</b> CODE <input type="checkbox"/> a. Unknown <input type="checkbox"/> b. Broad <input type="checkbox"/> c. HighCheek <input type="checkbox"/> d. Long <input checked="" type="checkbox"/> e. Oval <input type="checkbox"/> f. Round <input type="checkbox"/> g. Square <input type="checkbox"/> h. Thin <input type="checkbox"/> z. OTHER	<b>113 COMPLEXION</b> CODE <input type="checkbox"/> a. Unknown <input type="checkbox"/> b. Acne <input checked="" type="checkbox"/> c. Dark <input type="checkbox"/> d. Freckles <input type="checkbox"/> e. Light <input type="checkbox"/> f. Medium <input type="checkbox"/> g. Pocked <input type="checkbox"/> h. Ruddy <input type="checkbox"/> i. Tanned <input type="checkbox"/> z. OTHER	<b>114 FACIAL HAIR</b> CODE <input type="checkbox"/> a. Unknown <input type="checkbox"/> b. Clean <input type="checkbox"/> c. Fu Manchu <input type="checkbox"/> d. Full Beard <input type="checkbox"/> e. Goatee <input type="checkbox"/> f. Lower Lip <input type="checkbox"/> g. Mustache <input type="checkbox"/> h. Side Burns <input checked="" type="checkbox"/> i. Unshaven <input type="checkbox"/> z. OTHER	<b>115 GENERAL APPEARANCE</b> CODE <input checked="" type="checkbox"/> a. Unknown <input type="checkbox"/> b. Athletic <input type="checkbox"/> c. Conservative <input type="checkbox"/> d. Disguised <input type="checkbox"/> e. Flashy <input type="checkbox"/> f. Military <input type="checkbox"/> g. Unkempt <input type="checkbox"/> h. Unusual Odor <input type="checkbox"/> i. Well Groomed <input type="checkbox"/> z. OTHER	<b>116 TATTOOS, SCARS, BODY PIERCING</b> CODE <input type="checkbox"/> a. Unknown <input type="checkbox"/> b. Abdomen <input type="checkbox"/> c. Arm <input type="checkbox"/> d. Foot <input type="checkbox"/> e. Hand <input type="checkbox"/> f. Head/Face <input type="checkbox"/> g. Leg <input type="checkbox"/> h. Shoulder <input type="checkbox"/> z. OTHER  <i>NO VISIBLE</i>	
<b>123 HAND USED</b> CODE <input checked="" type="checkbox"/> a. Unknown <input type="checkbox"/> b. Right <input type="checkbox"/> c. Left	<b>117 VOICE</b> CODE <input checked="" type="checkbox"/> a. Unknown <input type="checkbox"/> b. Disguised <input type="checkbox"/> c. High Pitch <input type="checkbox"/> d. Loud <input type="checkbox"/> e. Low Pitch <input type="checkbox"/> f. Medium <input type="checkbox"/> g. Monotone <input type="checkbox"/> h. Nasal <input type="checkbox"/> i. Pleasant <input type="checkbox"/> m. Raspy <input type="checkbox"/> n. Soft <input type="checkbox"/> z. OTHER	<b>118 SPEECH</b> CODE <input checked="" type="checkbox"/> a. Unknown <input type="checkbox"/> b. Accent <input type="checkbox"/> c. Lipped <input type="checkbox"/> d. Mumbled <input type="checkbox"/> e. Offensive <input type="checkbox"/> f. Rapid <input type="checkbox"/> g. Slow <input type="checkbox"/> h. Slurred <input type="checkbox"/> i. Stuttered <input type="checkbox"/> j. Talkative <input type="checkbox"/> z. OTHER	<b>119 DEMEANOR</b> CODE <input type="checkbox"/> a. Unknown <input type="checkbox"/> b. Angry <input type="checkbox"/> c. Apologetic <input type="checkbox"/> d. Calm <input type="checkbox"/> e. Confused <input type="checkbox"/> f. Irritable <input type="checkbox"/> g. Nervous <input type="checkbox"/> h. Polite <input type="checkbox"/> i. Professional <input checked="" type="checkbox"/> j. Stupor <input type="checkbox"/> k. Violent <input type="checkbox"/> z. OTHER	<b>120 GLASSES</b> CODE <input checked="" type="checkbox"/> a. Unknown <input type="checkbox"/> b. Contacts <input type="checkbox"/> c. Mirrored <input type="checkbox"/> d. Plastic Frame <input type="checkbox"/> e. Tinted Glass <input type="checkbox"/> f. Sunglasses <input type="checkbox"/> g. Wire Frame <input type="checkbox"/> z. OTHER  FRAME COLORS # _____ # _____ # _____	<b>121 WEAPONS TYPE</b> CODE <input checked="" type="checkbox"/> a. Unknown <input type="checkbox"/> b. Hands/Foot <input type="checkbox"/> c. Brick/Rock <input type="checkbox"/> d. Butcher Knife <input type="checkbox"/> e. Pocket Knife <input type="checkbox"/> f. Club <input type="checkbox"/> g. Handgun <input type="checkbox"/> h. Rifle <input type="checkbox"/> i. Shotgun <input type="checkbox"/> j. Simulated <input type="checkbox"/> k. Toy Gun <input checked="" type="checkbox"/> z. OTHER  <i>VEHICLE</i>	<b>122 FIREARM DESCRIPTION</b> CODE <input type="checkbox"/> a. Unknown <input type="checkbox"/> b. Revolver <input type="checkbox"/> c. Auto/Semi-auto <input type="checkbox"/> d. Blue Steel <input type="checkbox"/> e. Chrome/Nickel <input type="checkbox"/> f. Double Barrel <input type="checkbox"/> g. Long Barrel <input type="checkbox"/> h. Short Barrel <input type="checkbox"/> i. Western Style <input type="checkbox"/> j. Bolt Action <input type="checkbox"/> k. Pump <input type="checkbox"/> l. Sawed Off <input type="checkbox"/> z. OTHER

124 CODE	HAT / MASK	JACKET	TOP	BOTTOM	SHOES	OTHER
125 CODE	HAT / MASK	JACKET	TOP	BOTTOM	SHOES	OTHER
126 CODE	HAT / MASK	JACKET	TOP	BOTTOM	SHOES	OTHER

127 NARRATIVE  
 SUBJECT WAS ARRESTED IN HOSPITAL EMERGENCY ROOM.  
 REFER TO SUPPLEMENTAL REPORTS FOR DETAILS.



SUPPLEMENTAL REPORT

RD# : 8050

RB#: 98-98-10973

ORIGINAL OFFENSE: 245 (c) P.C., 10851 V.C.

CONNECTING REPORTS:

OXPD 98-02633

DATE & TIME OF INCIDENT: 2/2/98 0420 HOURS

LOCATION OF OFFENSE: "COUNTRY INN" 1405 DEL NORTE RD., CAMARILLO

CODE: (V-1)

NAME: HARA, MARK (DEPUTY SHERIFF)

RACE: W

SEX: M

D.O.B.:

AGE:

ADDRESS: 800 S. VICTORIA AVE., VENTURA

RES. PHONE: N/A

BUS. PHONE: 654-2311

CASE DISPOSITION: CASE CLOSED

ON 2/10/98, DEPUTY D.A. [REDACTED] FILED THE FOLLOWING FELONY  
CHARGES AGAINST (A) LEJON PETERSON:

- 1) 10851 CVC
- 2) PRIOR 10851 CVC WITH A PRISON TERM
- 3) STRIKE ALLEGATION

CASE CLOSED

COPIES TO: <input type="checkbox"/> Det <input type="checkbox"/> CAU <input type="checkbox"/> Narc <input type="checkbox"/> Prob <input type="checkbox"/> Juv <input type="checkbox"/> CII <input type="checkbox"/> Officer <input type="checkbox"/> Watch Commander <input type="checkbox"/> OTHER			
DATE/TIME REPORTED	DATE/TIME OF REPORT	REPORTING OFFICER/ID NO./DIV./UNIT	APPROVED BY/ID NO.
	2-10-98	R. Young 0203 M/C	



# COUNTY OF VENTURA SHERIFF'S DEPARTMENT

800 S. VICTORIA AVENUE VENTURA, CA 93009 (805) 654-2370  
CRIMINALISTICS LABORATORY REPORT

LAB CASE NUMBER  
L98-0589

**SUBJECT'(S):**

PETERSON, LEJON (S)  
TORPEY, FRANK (V)

**AGENCY:**

VSO MAJOR CRIMES -INVESTIGATING OFFICER:  
THOMPSON/YOUNG

**AGENCY CASE NUMBER:**

98-10973

**OFFENSE'(S)**

245 (c) PC

**GENERAL:**

On March 2, 1998 a Ford F150 pickup truck was examined in the laboratory garage.

On March 17, 1998 the following items were received from Property-closed containers:

Item 10: One envelope with one tin containing one bullet.

Item 16: One box containing one driver side truck mirror and one envelope, the envelope contains debris from the mirror including one bullet (Removed by [REDACTED] and Myself on March 3, 1998 as part of the examination of the Ford Truck).

Item 18: One envelope containing one 9mm caliber Speer brand cartridge case.

Item 19: One envelope containing one 9mm caliber Speer brand cartridge case.

Item 21: One box containing: one 9 mm caliber Sig Sauer semiautomatic pistol Serial # [REDACTED] one envelope containing one live 9 mm caliber Speer brand cartridge, one envelope containing one pistol magazine loaded with 14 live 9mm caliber Speer brand cartridges.

Item 22: One box containing: one 9mm caliber Sig Sauer semiautomatic pistol Serial # [REDACTED] one envelope containing one live 9mm caliber Speer brand cartridge, one envelope

containing one pistol magazine loaded with 14 live 9mm caliber Speer brand cartridges.

**OBJECTIVE:**

Determine if the bullets, #10 & 16, were fired from the submitted firearms, #21 & 22. Determine if the cartridge cases, #18 & 19, were fired in the submitted firearms, #21 & 22.

Describe the trajectories of the bullets in relationship to the truck.

**RESULTS:**

The following is a summary of the analytic findings:

The Sig Sauer Pistols, #21 & 22, were examined and test fired. Both Pistols were found to be in proper operating condition.

The bullet #10 was fired from the Sig Sauer pistol bearing serial # [REDACTED], #22.

The bullet #16 was fired from the Sig Sauer pistol bearing serial # [REDACTED], #21.

The discharged cartridge case #18 was fired in the Sig Sauer pistol bearing serial # [REDACTED] #22.

The discharged cartridge case #19 was fired in the Sig Sauer pistol bearing serial # [REDACTED] #21.

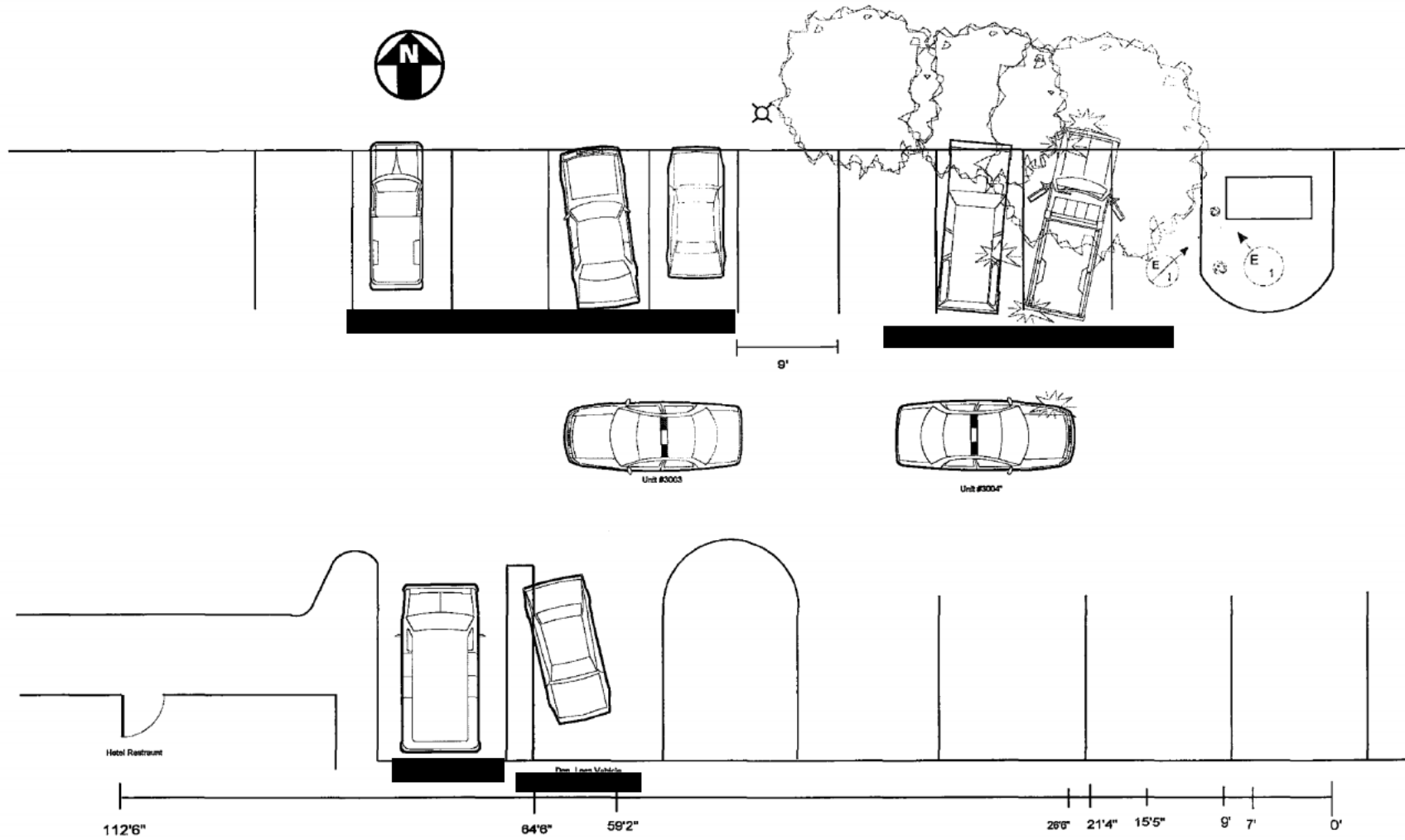
The Truck exhibits a bullet hole in the passenger side door approximately 20 inches from the front of the door. The trajectory of this bullet is primarily inward (from the passenger side toward the drivers side), forward and somewhat downward. The drivers side mirror (#16) exhibits a bullet hole. The trajectory of this bullet is from the passenger side toward the drivers side mirror, forward and slightly downward. It is consistent with passing through both front door windows.

DESCRIPTION:  
245 PC / 10851 VC

STREET:  
1405 Del Norte Road

CITY:  
Camarillo

COUNTY:  
Ventura



CASE #:  
98-10973

FET:

DATE:  
02/02/00

All measurements are approximate. Not to Scale



IDENTIFICATION OFFICER'S REPORT

RB#: 98-10973 RD#: 8050 BEAT: 8A01

V-1: Loes, Chris

V-2: Hara, Mark

V-3: Torpey, Frank

V-4: [REDACTED]

V-5: [REDACTED]

S-1: Peterson, LeJon Dessano

ORIGINAL OFFENSE: 10851 VC 245 PC 496 PC

CONNECTING REPORTS:

LOCATION OF OCCURRENCE: 1405 Del Norte Road, Camarillo.

PERFORMED AT: Scene

DATE & TIME REQUESTED: 02/02/98 0445 Hours

DATE & TIME PERFORMED: 02/02/98 0530 Hours

EVIDENCE TAKEN: Weapons, clothing, and shell casings.

EVIDENCE BOOKED AT: Ventura Property Room

PHOTOGRAPHS: Overall photographs of the scene with available light, and flash photography. Overhead photographs of the scene taken by the Ventura County Fire Department. Photographs of the expended shell casings laying east of the vehicle in the planter, and on the pavement next to the curb area.

Photographs of the interior and exterior of V-2 Hara's Sheriff's marked patrol unit #3004, California exempt license plate E027964, collision damage to the driver's side front fender of patrol unit #3004, interior handle of the driver's side spotlight depicting the switch in the on position, exterior of the vehicle with spotlight illuminating the suspect's vehicle, and collision damage to the front passenger's side fender of the vehicle.

Photographs of the interior and exterior of V-3 Torpey's Sheriff's marked patrol unit #3013, California exempt license plate E027991, the siren unit depicting the passenger side alley light switch in the on position, and the passenger side of the vehicle depicting the alley light being illuminated.

COPIES TO: <input type="checkbox"/> Det <input type="checkbox"/> CAU <input type="checkbox"/> Narc <input type="checkbox"/> Prob <input type="checkbox"/> Juv <input type="checkbox"/> CII <input type="checkbox"/> Officer <input type="checkbox"/> Watch Commander <input type="checkbox"/> OTHER			
DATE/TIME REPORTED	DATE/TIME OF REPORT	REPORTING OFFICER/ID NO./DIV./UNIT	APPROVED BY/ID NO.
02/02/98 0445 HRS	02/03/98 0900 HRS	[REDACTED] /B.J. [Signature]	

**PHOTOGRAPHS - CONTINUED:**

Photographs of the exterior of V-5 [REDACTED] Family Trust's vehicle, green Chevrolet S10 Blazer 4 door, California personalized license plate "[REDACTED]", and the traffic collision damage to the passenger's side rear door.

Photographs of the exterior of V-1 Loes' vehicle, white Mazda 323 2 door sedan, California license plate [REDACTED], parked to the south of the two patrol units.

Photographs of S-1 Peterson's vehicle, green 1998 Ford F-150 pick-up, "Barber Ford" paper license plates, [REDACTED] bullet entry hole on passenger side exterior door, bullet exit hole on passenger side door interior door trim panel, bullet laying on the driver's side floorboard, bullet hole in driver's side exterior rear view mirror, collision damage to driver's side rear bumper, paint transfer to driver's side taillight and painted body area to the right of the taillight, collision damage to driver's side front bumper and fender, paint transfer's on driver's side fender, collision damage to tree directly in front of the driver's side of the vehicle, miscellaneous property laying in the front seat area, keys in ignition, O.C. canister in the passenger's side rear portion of the cargo bed, and broken windows on the driver's side and passenger side doors.

Frontal photographs of Deputy C. Loes, Deputy M. Hara, and Deputy F. Torpey. Photographs of Deputy Torpey's flashlight illuminating the wall of room 317.

**LATENTS:** None - no latent work requested.

**CASTS:** None - no useful cast type impressions.

**OTHER EVIDENCE:**

1. One expended shell casing, "Speer 9mm-Luger" headstamp. Item located laying on the dirt, in the planter east of the green Ford F150 pick-up.
2. One expended shell casing, "Speer 9mm-Luger" headstamp. Item located laying on the pavement east of the green Ford F150 pick-up, next to the curb.
3. One O.C. canister, "CAP-STUN" brand, 1 ounce canister, model Z-305. Located on the canister is a label with the number "2745". Item located in the passenger's side rear cargo area.
4. Deputy Hara's weapon, Sig Sauer brand, model P226, blue steel, 4" barrel, serial number [REDACTED] Item received loaded from Deputy Hara with 14 rounds in the magazine, and one round in the chamber. Weapon was unloaded for storage in the property room.
5. Deputy Loes' weapon, Sig Sauer brand, model P226, blue steel, 4" barrel, serial number [REDACTED] Item received loaded from Deputy Loes with 14 rounds in the magazine, and one round in the chamber. Weapon was unloaded for storage in the property room.

COPIES TO: <input type="checkbox"/> Det <input type="checkbox"/> CAU <input type="checkbox"/> Narc <input type="checkbox"/> Prob <input type="checkbox"/> Juv <input type="checkbox"/> CII <input type="checkbox"/> Officer <input type="checkbox"/> Watch Commander <input type="checkbox"/> OTHER _____			
DATE/TIME REPORTED 02/02/98 0445 HRS	DATE/TIME OF REPORT 02/03/98 0900 HRS	REPORTING OFFICER/ID NO./DIV./UNIT [REDACTED] 281 / B.I. <i>[Signature]</i>	APPROVED BY/ID NO.



**OTHER EVIDENCE - CONTINUED:**

6. Suspect Peterson's cut-off clothing. Clothing was located on the driver's side cargo bed wall of the green Ford F150 pick-up - one pair white crew socks, unknown size, unknown brand - one pair white tennis shoes, "Reebok" brand, size 10 - one pair blue denim jeans, "Pia" brand, size 38 x 34 - one white t-shirt, unknown brand, unknown size - one black t-shirt, unknown brand, unknown size - one gray long sleeve sweatshirt, "Tar Heel Sports" brand, size 2xl - one blue jacket, "Patagonia" brand, size XL.

6a. One white notepad from the Lemon Tree Inn. Item separated from the clothing for property purposes.

7. One 8mm video tape of the scene.

**RESULTS OF TESTS OR COMPARISONS:** None.

**NOTES:** None.

COPIES TO: <input type="checkbox"/> Det <input type="checkbox"/> CAU <input type="checkbox"/> Narc <input type="checkbox"/> Prob <input type="checkbox"/> Juv <input type="checkbox"/> CII <input type="checkbox"/> Officer <input type="checkbox"/> Watch Commander <input type="checkbox"/> OTHER _____			
DATE/TIME REPORTED 02/02/98 0445 HRS	DATE/TIME OF REPORT 02/03/98 0900 HRS	REPORTING OFFICER/ID NO./DIV./UNIT #2281 / B.I. <i>[Signature]</i>	APPROVED BY/ID NO.

VENTURA COUNTY REGIONAL CRIME LABORATORY  
 Sheriff's Department  
 800 South Victoria Avenue, Ventura, California 93009  
 Telephone Number: (805) 654-2377

**REQUEST FOR ANALYSIS/EXAMINATION OF EXHIBITS**

1. VICTIM/PERSON REPORTING OFFENSE: <b>TORPEY, FRANK</b>	2. ACCUSED/SUSPECT: <b>PETERSON, LEJON</b>	3. OFFENSE INVESTIGATED: (a) OFFENSE <b>245(C) PC</b> (b) <input checked="" type="checkbox"/> FELONY <input type="checkbox"/> MISDEMEANOR
4. INVESTIGATING AGENCY: <b>VENTURA CO SHERIFF'S</b>	5. AGENCY SECTION - BRANCH - UNIT: <b>MAJOR CRIMES</b>	6. DATE OF OFFENSE: <b>2-2-98</b>
7. INVESTIGATING OFFICER(S): <b>THOMPSON / YOUNG</b> TELEPHONE NO.: <b>654-2341</b>	8. EXHIBITS DELIVERED BY: <b>BI.</b>	9. <input checked="" type="checkbox"/> NEW CASE <input type="checkbox"/> ADDITIONAL EXHIBITS
10. LABORATORY REPORT TO BE SENT TO: <b>D. THOMPSON / SGT. R. YOUNG</b>	11. MAILING ADDRESS: <b>800 S. VICTORIA AVE VENTURA</b>	12. AGENCY FILE NUMBER: <b>98-10973</b>
13. IS SUBJECT IN CUSTODY? <input checked="" type="checkbox"/> YES <input type="checkbox"/> NO	14. DATE AND TYPE OF TRIAL OR HEARING:	15. (a) AGENCY RECORD SECTION NUMBER: (b) AGENCY PROPERTY ROOM NUMBER:
16. DETAILS OF INVESTIGATION PERTINENT TO EXHIBITS (RELEVANT PORTION OF CRIME REPORT MAY BE ATTACHED): <p style="text-align: center;"><b>TWO DEPUTIES, EACH FIRE ONE ROUND FROM THEIR 9mm HANDGUNS INTO THE TRUCK CAB FROM THE PASSENGER SIDE OF THE TRUCK.</b></p>		
17. EXHIBITS (LIST ITEMS AND SOURCES. USE SEPARATE PLAIN SHEET IF MORE SPACE IS REQUIRED): <ul style="list-style-type: none"> <li>④ SIG SAVER P226 9mm # [REDACTED], DEP. HAZA</li> <li>⑤ SIG SAVER P226 9mm # [REDACTED], DEP. LOES</li> <li>① ONE SHELL CASING, 9mm SPEER-LUGER, FOUND IN DIRT PLANTER</li> <li>② ONE SHELL CASING, 9mm SPEER-LUGER, FOUND ON PAVEMENT</li> <li>① ONE BULLET, FOUND ON CARPET OF DRIVER'S FLOORBOARD SUSPECT VEHICLE</li> <li>⑥ DRIVER SIDE VIEW MIRROR OF SUSPECT VEHICLE, MIRROR CONTAINS BULLET</li> </ul>		
18. SPECIFIC EXAMINATION REQUESTED: <ul style="list-style-type: none"> <li>① EXAMINE FIREARMS FOR OPERABILITY</li> <li>② COMPARE THE TWO SHELL CASINGS AND RECOVERED BULLETS TO THE TWO 9mm HANDGUNS</li> </ul>		
19. SIGNATURE OF REQUESTING OFFICER: <b>J. Thompson 1032</b>	20. DATE: <b>2-13-98</b>	
<b>FOR LABORATORY USE ONLY</b>		
NOTE: IF THERE IS A CHANGE IN THE STATUS OF THIS CASE (CASE CLOSED, TRIAL DATE CHANGED, ETC.), PLEASE CONTACT THE LABORATORY IMMEDIATELY.		
LABORATORY LOG NUMBER: CASE ASSIGNED TO: DATE:		



County of Ventura  
Sheriff's Department  
Criminalistics Laboratory

Laboratory Examination Notes

Analyst: DSB *dsb*

Sample Set Start: 2/12/98 at 1137 hours

Ethanol Blank Value = 0.00% w/v

Ethanol Sec. Std. Conc. from 971218235 = 0.235% w/v

Ethanol QC1 Conc. obtained: 0.118% w/v

Ethanol QC2 Conc. obtained: 0.116% w/v

Ethanol QC Conc. from 971218119 = 0.119% w/v

Average Response Factor (0.1796) Within 3% Of System Response Factor [0.1717 - 0.1823]

Sample Set Data Path: C:\HPCHEM\1\DATA\980212A1\980212A1

Sample Set Identification: 980212A1.XLD

Comments: N/A

Remarks: N/A

Analytical Results

L98-0589.004.001 #1 = 0.000% w/v

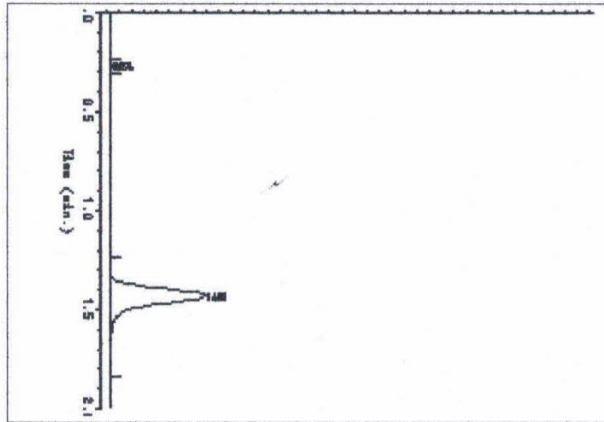
L98-0589.004.001 #2 = 0.000% w/v

Reported Ethanol = 0.00% w/v

Sample Type = BLOOD *DEP. HARA*

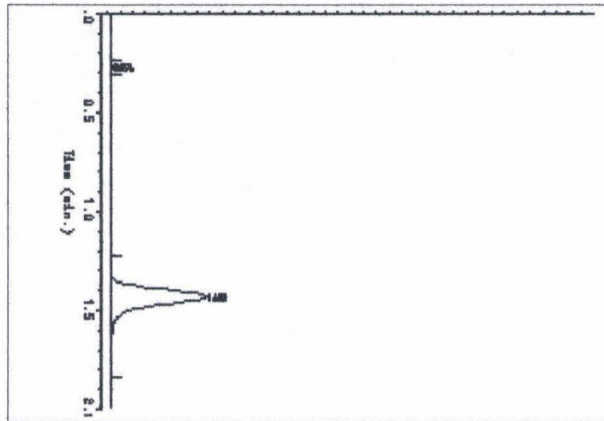
L98-0589.004.001 #1

	Time	Area
Methanol	0.391	0
Ethanol	0.604	0
Acetone	0.766	0
Isopropanol	1.037	0
NPA	1.431	855717



L98-0589.004.001 #2

	Time	Area
Methanol	0.391	0
Ethanol	0.604	0
Acetone	0.766	0
Isopropanol	1.037	0
NPA	1.431	824853







County of Ventura  
Sheriff's Department  
Criminalistics Laboratory

Laboratory Examination Notes

Analyst: DSB *DSB*

Sample Set Start: 2/12/98 at 1137 hours

Ethanol Blank Value = 0.00% w/v

Ethanol Sec. Std. Conc. from 971218235 = 0.235% w/v

Ethanol QC1 Conc. obtained: 0.118% w/v

Ethanol QC2 Conc. obtained: 0.116% w/v

Ethanol QC Conc. from 971218119 = 0.119% w/v

Average Response Factor (0.1796) Within 3% Of System Response Factor [0.1717 - 0.1823]

Sample Set Data Path: C:\HPCHEM\1\DATA\980212A1\980212A1

Sample Set Identification: 980212A1.XLD

Comments: N/A

Remarks: N/A

Analytical Results

L98-0589.003.001 #1 = 0.000% w/v

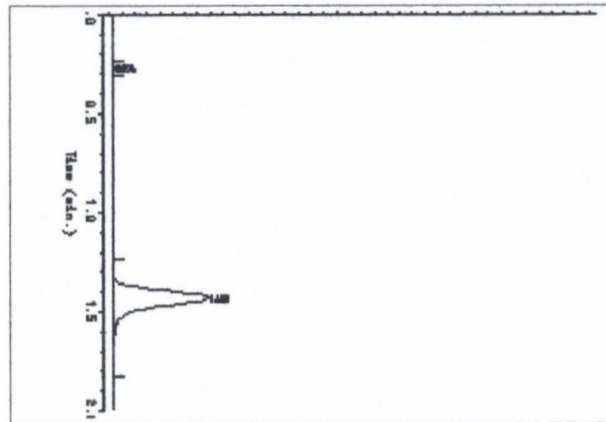
L98-0589.003.001 #2 = 0.000% w/v

Reported Ethanol = 0.00% w/v

Sample Type = BLOOD, *LOES*

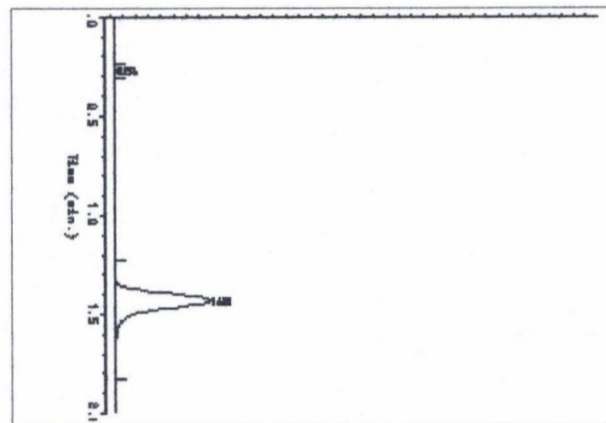
L98-0589.003.001 #1

	Time	Area
Methanol	0.391	0
Ethanol	0.604	0
Acetone	0.766	0
Isopropanol	1.037	0
NPA	1.431	834991



L98-0589.003.001 #2

	Time	Area
Methanol	0.391	0
Ethanol	0.604	0
Acetone	0.766	0
Isopropanol	1.037	0
NPA	1.431	842823



**IDENTIFICATION OFFICER'S REPORT**

**RB#: 98-10973 RD#: 8050 BEAT: 8A01**

V-1: Loes, Chris

V-2: Hara, Mark

V-3: Torpey, Frank

S-1: Peterson, LeJon Dessano

ORIGINAL OFFENSE: 10851 C.V.C  
664 / 187 P.C.

**CONNECTING REPORTS:**

LOCATION OF OCCURRENCE: 1405 Del Norte Rd., Camarillo

PERFORMED AT: St. John's Pleasant Valley Hospital Emergency Room

DATE & TIME REQUESTED: 02-02-98 0815 Hrs.

DATE & TIME PERFORMED: 02-02-98 0845 Hrs.

EVIDENCE TAKEN: Blood, Glass Fragments, Clothing

EVIDENCE BOOKED AT: Ventura Property Room

PHOTOGRAPHS: Overall photographs of the suspect laying on a gurney. Photos of small lacerations on the back of each of the suspect's hands.

LATENTS: No latent work required.

CASTS: no cast work required.

**OTHER EVIDENCE:**

1. Blood - Yellow top and purple top tubes of the suspect's blood. The blood was drawn by R.N. [redacted] at 0930 hrs.
2. Blood - Sample of the suspect's blood received from Dep. Handy #1360 at P.V.E.R. at 0955 hrs.
3. Blood - Yellow top, purple top and gray top tubes of blood from Dep. Loes #2941. The blood was drawn by R.N. [redacted] at 1020 hrs.

COPIES TO: <input type="checkbox"/> Det <input type="checkbox"/> CAU <input type="checkbox"/> Narc <input type="checkbox"/> Prob <input type="checkbox"/> Juv <input type="checkbox"/> CII <input type="checkbox"/> Officer <input type="checkbox"/> Watch Commander <input type="checkbox"/> OTHER			
DATE/TIME REPORTED	DATE/TIME OF REPORT	REPORTING OFFICER/ID NO./DIV./UNIT	APPROVED BY/ID NO.
02-02-98/0810 HRS	02-02-98/1345 HRS	[redacted] #2770/B.I. <i>Bmo</i>	<i>SR [signature]</i> 207

**EVIDENCE CONT'D:**

4. Blood - Yellow top, purple top and gray top tubes of blood from Dep. Hara #2508. The blood was drawn by R.N. Scott [REDACTED] at 1050 hrs.

5. Clothing - Black "Trend Basic" shorts size L and a pair of white boxers size 36 removed from the suspect at the hospital.

6. Necklace - Black string necklace with black plastic beads and a black cross removed from the suspect at the hospital.

7. Glass Fragments - Glass fragments found on the sheet underneath the suspect. Fragments received from Sr. Dep. Gentry at P.V.E.R.

8. Glass Fragments - Glass fragments found on the sheet underneath the suspect. Fragments received from Sr. Dep. Gentry at P.V.E.R.

**RESULTS OF TESTS OR COMPARISONS:** None.

**NOTES:**

COPIES TO: <input type="checkbox"/> Det <input type="checkbox"/> CAU <input type="checkbox"/> Narc <input type="checkbox"/> Prob <input type="checkbox"/> Juv <input type="checkbox"/> CII <input type="checkbox"/> Officer <input type="checkbox"/> Watch Commander <input type="checkbox"/> OTHER			
DATE/TIME REPORTED	DATE/TIME OF REPORT	REPORTING OFFICER/ID NO./DIV./UNIT	APPROVED BY/ID NO.
02-02-98/0810 HRS	02-02-98/1345 HRS	[REDACTED] #2770/B.I. J 2770	SR [Signature] (0245)



**PROPERTY / EVIDENCE REPORT**

**VENTURA COUNTY SHERIFF'S DEPARTMENT**

AGENCY IDENTIFIER CA0560000

Page 1 of 1

CONNECTING REPORT NUMBERS		2 R.D. 8050	3 BEAT 8A01	4 RB NUMBER 98-10973
---------------------------	--	----------------	----------------	-------------------------

5 PROPERTY TYPE: <input checked="" type="checkbox"/> EVIDENCE <input type="checkbox"/> FOUND <input type="checkbox"/> SAFEKEEPING	6 <input type="checkbox"/> Misdemeanor <input checked="" type="checkbox"/> Felony	7 DATE OF INCIDENT 2/2/98
8 ORIGINAL INCIDENT / OFFENSE 245 P.C. / 10851 V.C.	9 LOCATION OF INCIDENT (STREET ADDRESS AND CITY) THE COUNTRY INN, 1405 DEL NORTE RD. CAMARILLO	

CODE: V - Victim    S - Suspect    A - Arrestee    F - Finder    O - Owner    R - Reporting Party    (Use Same Codes in Property Affiliation Box)							
CODE 11 10 V	NAME (Last, First, Middle, Gen.) / FIRM NAME DEPUTY HARA	AKA / Moniker	RACE 12	SEX 13	14 DOB	15 BUSINESS PHONE ( )	
16 RESIDENCE ADDRESS / ( <input type="checkbox"/> Same as Box # _____ )						CITY	STATE
18 RESIDENCE ADDRESS / ( <input type="checkbox"/> Same as Box # _____ )						CITY	STATE
CODE 19 18	NAME (Last, First, Middle, Gen.) / FIRM NAME	AKA / Moniker	RACE 20	SEX 21	22 DOB	23 BUSINESS PHONE ( )	
24 RESIDENCE ADDRESS / ( <input type="checkbox"/> Same as Box # _____ )						CITY	STATE
CODE 27 26	NAME (Last, First, Middle, Gen.) / FIRM NAME	AKA / Moniker	RACE 28	SEX 29	30 DOB	31 BUSINESS PHONE ( )	
32 RESIDENCE ADDRESS / ( <input type="checkbox"/> Same as Box # _____ )						CITY	STATE
33 RESIDENCE ADDRESS / ( <input type="checkbox"/> Same as Box # _____ )						CITY	STATE

34 NARRATIVE

---



---



---



---



---

35 PROPERTY / EVIDENCE INFORMATION

LOCATION BOOKED:  Crime Lab     E.C.     \_\_\_\_\_    SEARCH WARRANT?     Yes     No    FINDER WISHES TO CLAIM?     Yes     No

36 PROPERTY CLASSIFICATION CODES		PROPERTY CODES					
E - EVIDENCE	RC - RECOVERED PROPERTY	A - CURRENCY/NOTES	D - VEHICLE	G - FIREARMS	J - LIVESTOCK		
SK - SAFEKEEPING	FP - FOUND PROPERTY	B - JEWELRY/PRECIOUS METALS	E - OFFICE EQUIPMENT	H - HOUSEHOLD GOODS	K - MISCELLANEOUS		
C - CLOTHING/FURS		F - ELECTRONIC EQUIPMENT	I - CONSUMABLE GOODS				
CODE F	ITEM # 1	QTY 1	ITEM NAME MICRO - CASSETTE TAPE	MAKE -	MODEL / CALIBER -	ID / SERIAL NUMBER -	
PROP AFFIL -	ADDITIONAL INFORMATION CONTAINING WITNESS STATEMENTS TAKEN BY DEPUTY CLARK.						
CODE F	ITEM # 2	QTY 1	ITEM NAME MICRO - CASSETTE TAPE	MAKE -	MODEL / CALIBER -	ID / SERIAL NUMBER -	
PROP AFFIL -	ADDITIONAL INFORMATION CONTAINING WITNESS STATEMENTS TAKEN BY DEPUTY BECKETT.						
CODE	ITEM #	QTY	ITEM NAME	MAKE	MODEL / CALIBER	ID / SERIAL NUMBER	
AFFIL	ADDITIONAL INFORMATION						

37 DATE AND TIME OF REPORT 2/2/98 / 1015	38 REPORTING OFFICER / ID NO. / DIV / UNIT R. CLARK #2861 / WCP / HQP	39 APPROVED BY / ID NO. <i>[Signature]</i>
40 COPIES TO <input type="checkbox"/> DET/MC <input type="checkbox"/> NARC <input type="checkbox"/> GANG/SED <input type="checkbox"/> STATS <input type="checkbox"/> PRESS <input type="checkbox"/> DOJ <input type="checkbox"/> COURT <input checked="" type="checkbox"/> OTHER		