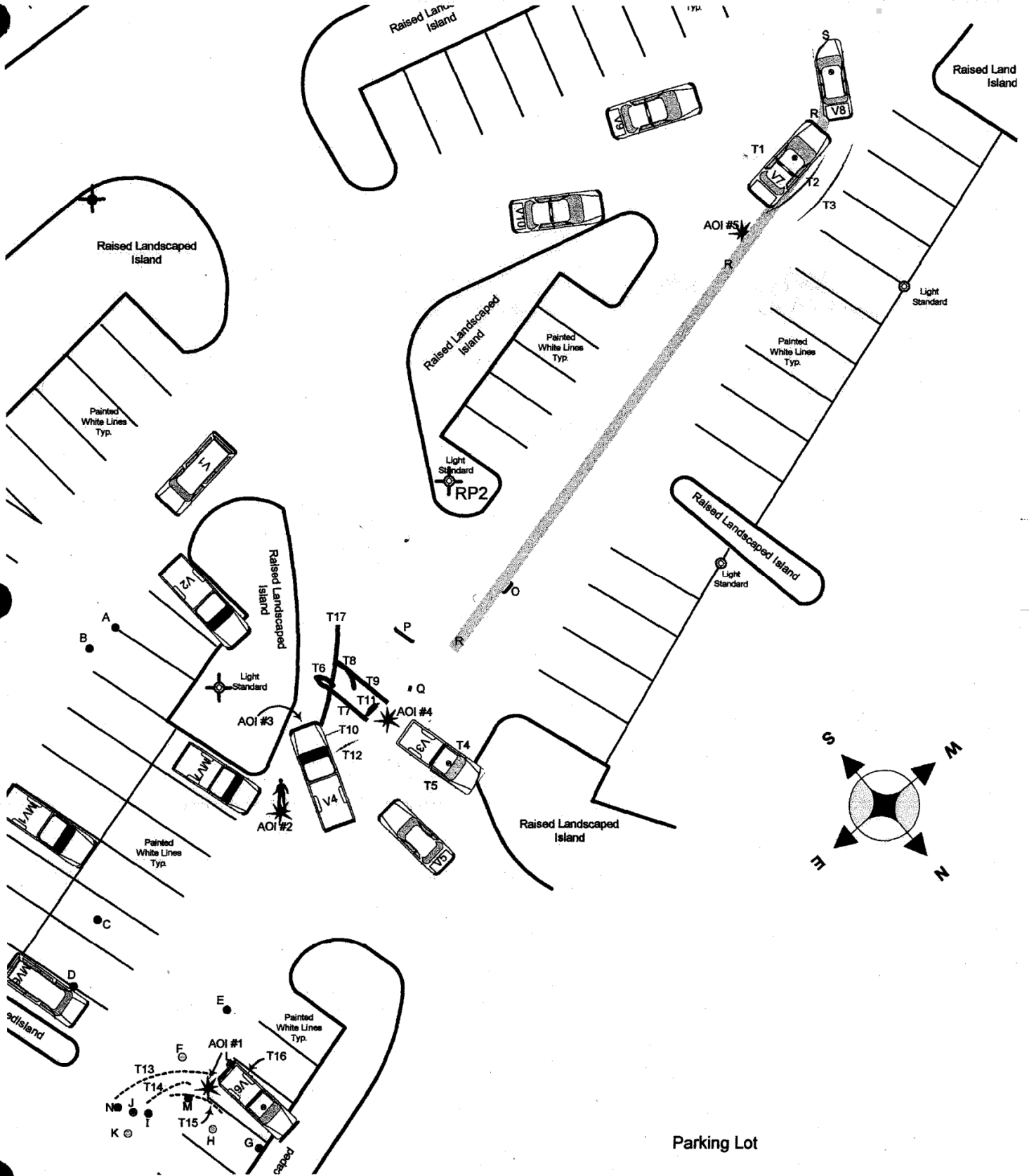


FACTUAL DIAGRAM

(SCALE: 1"= ft)

DATE OF COLLISION			TIME (2400)	NCIC NUMBER	OFFICER I.D.	NUMBER
Mo. 10	Day 22	Yr. 2001	1611	5600	2277	2001-93933



DRAWN BY John Popp	I.D. NUMBER 2277	DATE 11/8/01	REVIEWER'S NAME <i>[Signature]</i>	MO. 11	DAY 9	YR. 01
------------------------------	----------------------------	------------------------	--	------------------	-----------------	------------------

PROPERTY / EVIDENCE REPORT

VENTURA COUNTY SHERIFF'S DEPARTMENT

AGENCY IDENTIFIER CA0560000

1 CONNECTING REPORT NUMBERS		2 R.D. P045	3 BEAT 8D	4 RB NUMBER 2001-93933
-----------------------------	--	--------------------	------------------	-------------------------------

5 PROPERTY TYPE: <input checked="" type="checkbox"/> EVIDENCE <input type="checkbox"/> FOUND <input type="checkbox"/> SAFEKEEPING	6 <input type="checkbox"/> Misdemeanor <input checked="" type="checkbox"/> Felony	7 DATE OF INCIDENT 10-22-01
8 ORIGINAL INCIDENT / OFFENSE 245 P.C. ADW w/ vehicle		9 LOCATION OF INCIDENT (STREET ADDRESS AND CITY) 121 VENTURA BLVD, CAMARILLO, CA

CODE V. Victim S. Suspect A. Arrested F. Finder O. Owner R. Reporting Party (Use Same Codes in Property Affiliation Box)							
10 CODE A	11 NAME (Last, First, Middle, Gen.) / FIRM NAME RUBIO, ALEJANDRO	AKA / Moniker	RACE M	SEX M	DOB	15 BUSINESS PHONE	
16 RESIDENCE ADDRESS / (<input type="checkbox"/> Same as Box #)			CITY CARSON, CA	STATE CA	ZIP 90746	17 RESIDENCE PHONE	
18 CODE A	19 NAME (Last, First, Middle, Gen.) / FIRM NAME	AKA / Moniker	RACE	SEX	22 DOB	23 BUSINESS PHONE	
24 RESIDENCE ADDRESS / (<input type="checkbox"/> Same as Box #)			CITY	STATE	ZIP	25 RESIDENCE PHONE	
26 CODE	27 NAME (Last, First, Middle, Gen.) / FIRM NAME	AKA / Moniker	RACE	SEX	30 DOB	31 BUSINESS PHONE	
32 RESIDENCE ADDRESS / (<input type="checkbox"/> Same as Box #)			CITY	STATE	ZIP	33 RESIDENCE PHONE	

NARRATIVE

DIGITAL PHOTO'S OF SCENE ON THE NIGHT OF OCCURRENCE AND THE DAY AFTER AND THE VEHICLE INSPECTION OF A DODGE RAM PICKUP AND A HONDA ACCORD (SUSP. VEH.).

4. PROPERTY / EVIDENCE INFORMATION							
LOCATION BOOKED: <input type="checkbox"/> Crime Lab <input type="checkbox"/> E.C. <input checked="" type="checkbox"/> Cam	SEARCH WARRANT? <input type="checkbox"/> Yes <input checked="" type="checkbox"/> No						
FINDER WISHES TO CLAIM? <input type="checkbox"/> Yes <input checked="" type="checkbox"/> No							
36 PROPERTY CLASSIFICATION CODES							
E - EVIDENCE SK - SAFEKEEPING	RC - RECOVERED PROPERTY FP - FOUND PROPERTY						
A - CURRENCY/NOTES B - JEWELRY/PRECIOUS METALS C - CLOTHING/FURS	D - VEHICLE E - OFFICE EQUIPMENT F - ELECTRONIC EQUIPMENT						
G - FIREARMS H - HOUSEHOLD GOODS I - CONSUMABLE GOODS	J - LIVESTOCK K - MISCELLANEOUS						
CODE EK	ITEM # 1	QTY 1	ITEM NAME	MAKE	MODEL / CALIBER	ID / SERIAL NUMBER	
PROP.AFFIL	ADDITIONAL INFORMATION 3 1/2 FLOPPY DISK w/ SCENE PHOTO'S 10/22/01						
CODE EK	ITEM # 2	QTY 1	ITEM NAME	MAKE	MODEL / CALIBER	ID / SERIAL NUMBER	
PROP.AFFIL	ADDITIONAL INFORMATION 3 1/2 FLOPPY DISK w/ SCENE PHOTO'S DAY AFTER 10/23/01						
CODE EK	ITEM # 3	QTY 1	ITEM NAME	MAKE	MODEL / CALIBER	ID / SERIAL NUMBER	
PROP.AFFIL	ADDITIONAL INFORMATION 3 1/2 FLOPPY DISK w/ VEHICLE INSPECTION in expanded 10/26/01						
DATE AND TIME OF REPORT 10/26/01, 1550Hr		38 REPORTING OFFICER / ID NO. / DIV / UNIT PSP2277 / TRAFFIC DIVISION			39 APPROVED BY / ID NO. C. [Signature] 2009		

18

GENERAL VEHICLE EXAMINATION

[REDACTED]		ACCIDENT Number	CASE or FILE Number
[REDACTED]		2001-93933	
MAKE	MODEL	YEAR	[REDACTED]
HONDA	ACCORD	1990	[REDACTED]
EXAMINED BY - Name	Hours	Days	AFTER ACCIDENT
J. Popp 2277	-	4	
<input type="checkbox"/> AT FINAL POSITION	<input checked="" type="checkbox"/> UPRIGHT	<input type="checkbox"/> ON LEFT SIDE	
<input checked="" type="checkbox"/> AFTER BEING MOVED	<input type="checkbox"/> BOTTOM UP	<input type="checkbox"/> ON RIGHT SIDE	
PLACE (if not at scene)	PHOTOS BY		
346 WINCHESTER, OK.	Popp 2277		
Road or Street		ON PARKING LOT	
Junction with or distance from		AT 121 W. VENTURA BLVD	
City or County		IN Camarillo CA	
HOUR	DATE	MONTH	YEAR
4:11 P M	22	OCT	2001

CARGO AREA

NEARLY FULL

PARTLY FULL

NEARLY EMPTY

REAR LAMPS			REAR LAMPS		
OUTBOARD	MIDDLE	INBOARD	INBOARD	MIDDLE	OUTBOARD
Y	X	Y	X	Y	X
Y	X	Y	X	Y	X

ALCOHOLIC BEVERAGE CONTAINERS FOUND

NONE

SOME FULL

SOME OPENED

DAYLIGHT: ALL LIGHTS OFF

REAR TIRES & WHEELS

Y	N	FLAT TIRE	X	N
Y	N	HOLE IN TIRE	X	N
Y	N	UNSEATED	Y	N
Y	N	FLANGE BENT	Y	N
Y	N	WHEEL STUCK	X	N

RIGHT REAR Y N LEFT REAR Y N

SAFETY BELTS USED

RIGHT FRONT Y N LEFT FRONT Y N

BRAKE PEDAL STEERING WHEEL

FREE TO FLOOR	Y	X	TURNS LOOSELY	Y	X
STUCK TIGHT	Y	X	STUCK TIGHT	X	N

SPEEDOMETER READING ELECTRIC

LIGHT SWITCH ON Y N

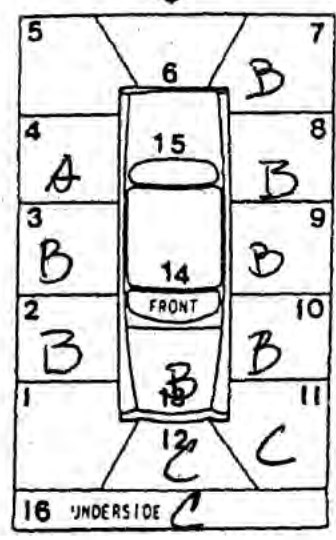
FRONT TIRES & WHEELS

Y	N	FLAT TIRE	X	N
Y	N	HOLE IN TIRE	X	N
Y	N	UNSEATED	Y	N
Y	N	FLANGE BENT	Y	N
Y	N	WHEEL STUCK	X	N

FIRE Y N

DAMAGED VEHICLE AREAS

A SLIGHT, B MODERATE C SEVERE



NO AIRBAGS

DAMAGE SEVERITY

DISABLING

FUNCTIONAL

OTHER

NONE

SIGNAL LAMP	HEADLAMPS		FRONT LAMPS	HEADLAMPS		SIGNAL LAMP
	MAIN	EXTRA		EXTRA	MAIN	
Y	X	Y	X	Y	X	Y
Y	X	Y	X	Y	X	Y

VEHICLE TYPE	CLASS	VIN
MAKE	MODEL	YEAR
HONDA	ACCORD	1996
EXAMINED BY	NAME	HOUR
T. POPP	2277	- 4
DATE	PHOTOS BY	
10/26/01	POPP	

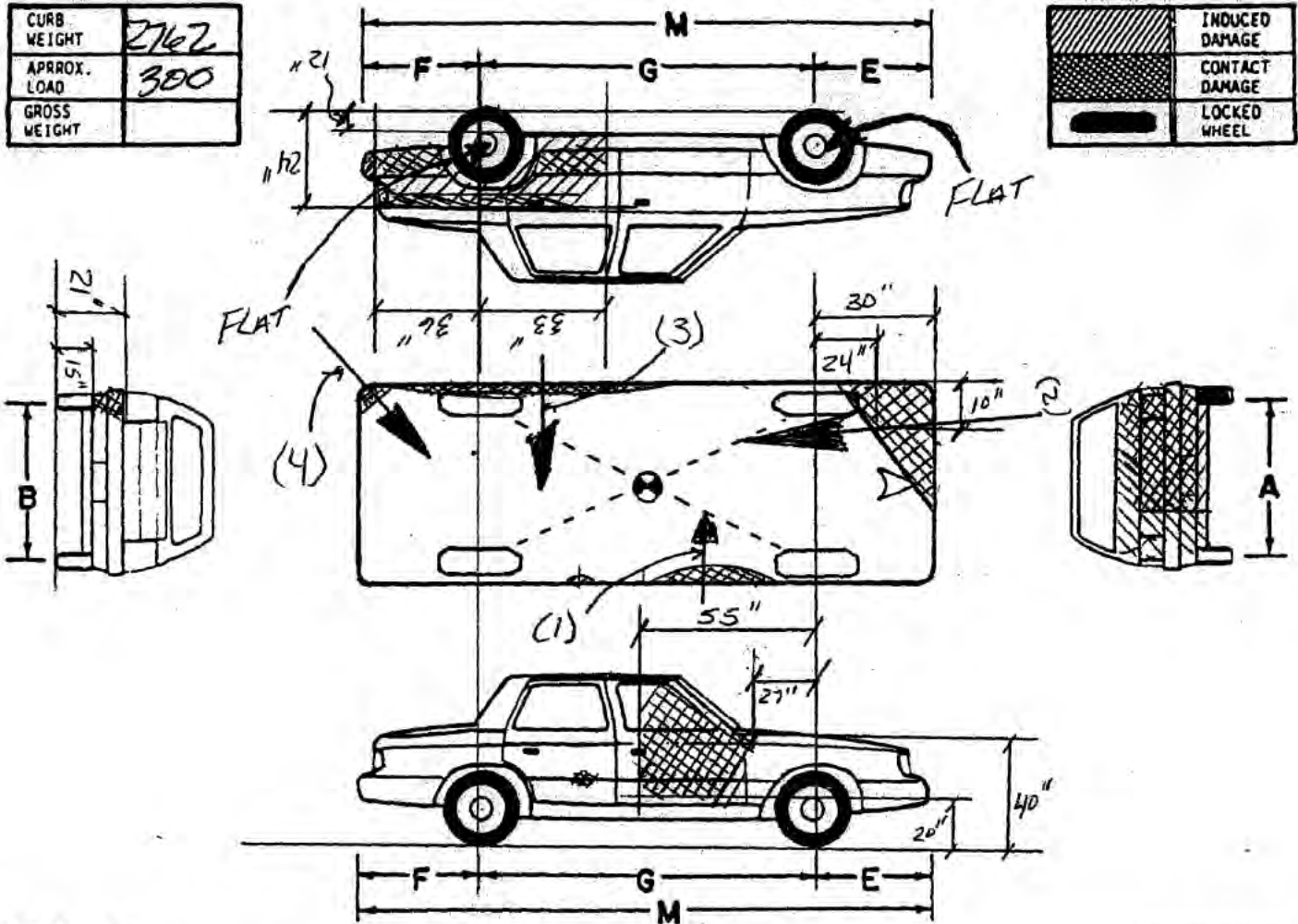
VEHICLE COLLISION DAMAGE RECORD

18

ACCIDENT Number	CASE or FILE Number		
	2001-93933		
ON	Road or Street		
	PARKING LOT		
AT	Junction with or distance from		
	121 W. VENTURA BLVD		
IN	City or County		
	Camarillo, CA		
HOUR	DATE	MONTH	YEAR
4:11	M 22	OCT	2001

CURB WEIGHT	2762
APPROX. LOAD	300
GROSS WEIGHT	

	INDUCED DAMAGE
	CONTACT DAMAGE
	LOCKED WHEEL



IDENTIFICATION PROFILES

AREA	→	
D	OFFSET	
L	TOTAL LENGTH	
C1		
C2		
C3		
C4		
C5		
C6		

DIMENSIONS

	NORMAL	AS MEASURED	
		LEFT	RIGHT
G	WHEEL BASE	107	105.5 / 107.
E	OVERHANG FRONT	34	30
F	OVERHANG REAR	42	42
M	LENGTH OVER ALL	185	170 / 180
A	TRACK FRONT	58	59
B	TRACK REAR	58	59
W	WIDTH MIDDLE	68	67

SHOW ARROW FOR THRUST DIRECTION AND PLACEMENT



V6

GENERAL VEHICLE EXAMINATION

VEHICLE TYPE	SIZE	VIN
MAKE	MODEL	YEAR
PLATE NUMBER	CA	
EXAMINED BY --Name	Hours	Days
AFTER ACCIDENT		
<input checked="" type="checkbox"/> AT FINAL POSITION	<input checked="" type="checkbox"/> UPRIGHT	<input type="checkbox"/> ON LEFT SIDE
<input type="checkbox"/> AFTER BEING MOVED	<input type="checkbox"/> BOTTOM UP	<input type="checkbox"/> ON RIGHT SIDE
PLACE (if not at scene)	PHOTOS BY	

ACCIDENT Number	CASE or FILE Number
ON <i>PARKING LOT</i>	
AT <i>121 W. VENTURA BLVD</i>	
IN <i>Cambridge</i>	State <i>CA</i>
HOUR <i>4:11</i>	DATE <i>22 Oct 2001</i>

CARGO AREA
<input type="checkbox"/> NEARLY FULL
<input type="checkbox"/> PARTLY FULL
<input checked="" type="checkbox"/> NEARLY EMPTY

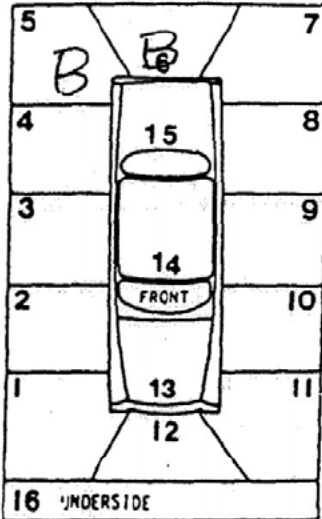
REAR LAMPS			REAR LAMPS		
OUTBOARD	MIDDLE	INBOARD	OUTBOARD	MIDDLE	INBOARD
<input checked="" type="checkbox"/> Y	<input checked="" type="checkbox"/> N	<input checked="" type="checkbox"/> N	<input checked="" type="checkbox"/> Y	<input checked="" type="checkbox"/> N	<input checked="" type="checkbox"/> N
<input checked="" type="checkbox"/> ON	<input checked="" type="checkbox"/> BROKEN	<input checked="" type="checkbox"/> Y	<input checked="" type="checkbox"/> ON	<input checked="" type="checkbox"/> BROKEN	<input checked="" type="checkbox"/> Y

ALCOHOLIC BEVERAGE CONTAINERS FOUND
<input checked="" type="checkbox"/> NONE
<input type="checkbox"/> SOME FULL
<input type="checkbox"/> SOME OPENED

DAYLIGHT: ALL LIGHTS OFF
<input checked="" type="checkbox"/>

FIRE
<input checked="" type="checkbox"/>

DAMAGED VEHICLE AREAS
A SLIGHT, B MODERATE, C SEVERE



DAMAGE SEVERITY
<input type="checkbox"/> DISABLING
<input checked="" type="checkbox"/> FUNCTIONAL
<input type="checkbox"/> OTHER
<input type="checkbox"/> NONE

REAR TIRES & WHEELS	
<input checked="" type="checkbox"/> Y	<input checked="" type="checkbox"/> N
<input checked="" type="checkbox"/> FLAT TIRE	<input checked="" type="checkbox"/> Y
<input checked="" type="checkbox"/> HOLE IN TIRE	<input checked="" type="checkbox"/> N
<input checked="" type="checkbox"/> UNSEATED	<input checked="" type="checkbox"/> Y
<input checked="" type="checkbox"/> FLANGE BENT	<input checked="" type="checkbox"/> N
<input checked="" type="checkbox"/> WHEEL STUCK	<input checked="" type="checkbox"/> Y
<input checked="" type="checkbox"/> REAR	<input checked="" type="checkbox"/> REAR
<input checked="" type="checkbox"/> RIGHT	<input checked="" type="checkbox"/> LEFT
SAFETY BELTS USED	
<input checked="" type="checkbox"/> FRONT	<input checked="" type="checkbox"/> FRONT
<input checked="" type="checkbox"/> FRONT	<input checked="" type="checkbox"/> FRONT
BRAKE PEDAL STEERING WHEEL	
<input checked="" type="checkbox"/> FREE TO FLOOR	<input checked="" type="checkbox"/> Y
<input checked="" type="checkbox"/> STUCK TIGHT	<input checked="" type="checkbox"/> N
<input checked="" type="checkbox"/> TURNS LOOSELY	<input checked="" type="checkbox"/> Y
<input checked="" type="checkbox"/> STUCK TIGHT	<input checked="" type="checkbox"/> N
SPEEDOMETER READING	
<input checked="" type="checkbox"/> LIGHT SWITCH ON	<input checked="" type="checkbox"/> Y
FRONT TIRES & WHEELS	
<input checked="" type="checkbox"/> Y	<input checked="" type="checkbox"/> N
<input checked="" type="checkbox"/> FLAT TIRE	<input checked="" type="checkbox"/> Y
<input checked="" type="checkbox"/> HOLE IN TIRE	<input checked="" type="checkbox"/> N
<input checked="" type="checkbox"/> UNSEATED	<input checked="" type="checkbox"/> Y
<input checked="" type="checkbox"/> FLANGE BENT	<input checked="" type="checkbox"/> N
<input checked="" type="checkbox"/> WHEEL STUCK	<input checked="" type="checkbox"/> Y

SIGNAL LAMP	HEADLAMPS		FRONT LAMPS	HEADLAMPS		SIGNAL LAMP
	MAIN	EXTRA		EXTRA	MAIN	
<input checked="" type="checkbox"/> Y	<input checked="" type="checkbox"/> N	<input checked="" type="checkbox"/> Y	<input checked="" type="checkbox"/> ON	<input checked="" type="checkbox"/> Y	<input checked="" type="checkbox"/> N	<input checked="" type="checkbox"/> Y
<input checked="" type="checkbox"/> Y	<input checked="" type="checkbox"/> N	<input checked="" type="checkbox"/> Y	<input checked="" type="checkbox"/> BROKEN	<input checked="" type="checkbox"/> Y	<input checked="" type="checkbox"/> N	<input checked="" type="checkbox"/> Y

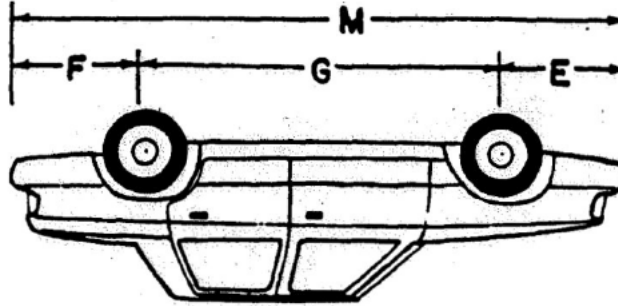
VEHICLE TYPE	6177	VIN	
MAKE	MODEL	YEAR	PLATE NUMBER
NISSAN	PLU	1999	CA
EXAMINED BY --Name	HOUR	Days	AFTER ACCIDENT
T. PAPP 2277			
PLACE	AT SCENE		
DATE	PHOTOS BY		
10/22/01	PAPP / CARRELL		

VEHICLE COLLISION DAMAGE RECORD

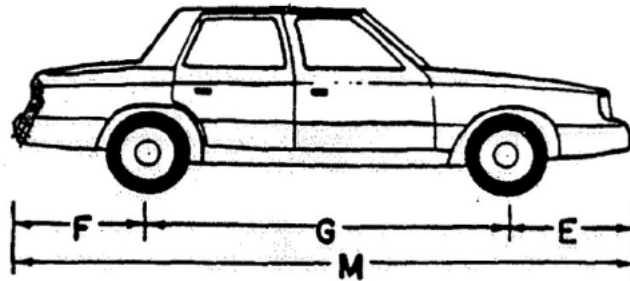
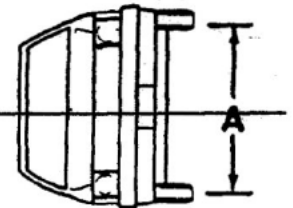
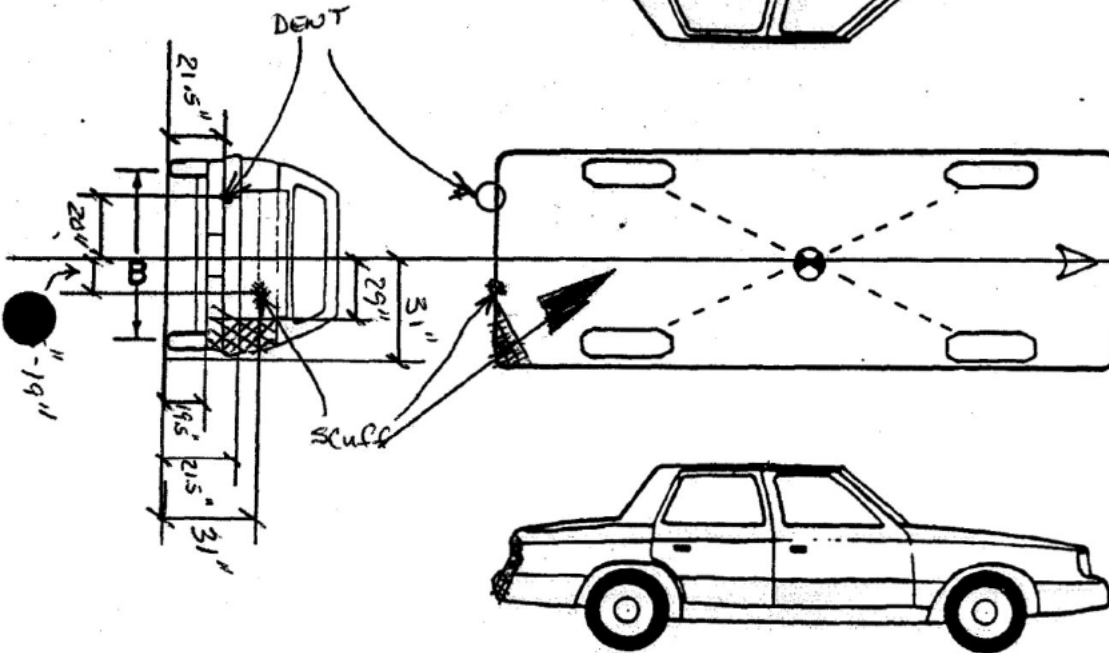
V6

ACCIDENT Number	CASE or FILE Number		
	2001-93933		
ON	Road or Street		
	PARKING LOT		
AT	Junction with or distance from		
	121 W. VENTURA BLVD		
IN	City or County	State	
	Camarillo	CA	
HOUR	DATE	MONTH	YEAR
4:11 M	22	OCT	2001

CURB WEIGHT	3214
APPROX. LOAD	
GROSS WEIGHT	



	INDUCED DAMAGE
	CONTACT DAMAGE
	LOCKED WHEEL



INDENTATION PROFILES

AREA		
D	OFFSET	
L	TOTAL LENGTH	
C1		
C2		
C3		
C4		
C5		
C6		

DIMENSIONS

	NORMAL	AS MEASURED	
		LEFT	RIGHT
G	WHEEL BASE	116	/ /
E	OVERHANG FRONT	34	/ /
F	OVERHANG REAR	49	/ /
M	LENGTH OVER ALL	198	/ /
A	TRACK FRONT	55	—
B	TRACK REAR	54	—
W	WIDTH MIDDLE	46	—

SHOW ARROW FOR THRUST DIRECTION AND PLACEMENT



VE 3

GENERAL VEHICLE EXAMINATION

VEHICLE TYPE [REDACTED]	SIZE [REDACTED]	VIN [REDACTED]	ACCIDENT Number 2001-93933	CASE or FILE Number 2001-93933
MAKE DODGE	MODEL PLU	YEAR 1999	Road or Street ON PARKING LOT	
EXAMINED BY - Name J. POPP 2277	Hours -	Days 4	Junction with or distance from AT 121 W. VENTURA BLVD	
<input type="checkbox"/> AT FINAL POSITION <input checked="" type="checkbox"/> AFTER BEING MOVED	<input checked="" type="checkbox"/> UPRIGHT <input type="checkbox"/> BOTTOM UP	<input type="checkbox"/> ON LEFT SIDE <input type="checkbox"/> ON RIGHT SIDE	City or County IN Camarillo, CA	
PLACE (if not at scene) 346 Winchester, CA	PHOTOS POPP	HOUR 4:11 P	DATE M 22	MONTH OCT
				2001

CARGO AREA

NEARLY FULL
 PARTLY FULL
 NEARLY EMPTY

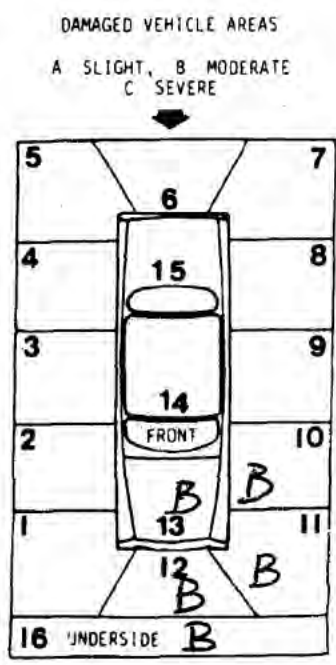
OUTBOARD	MIDDLE	INBOARD	REAR LAMPS	INBOARD	MIDDLE	OUTBOARD
Y	X	Y	ON	Y	N	Y
Y	X	Y	BROKEN	Y	N	Y

ALCOHOLIC BEVERAGE CONTAINERS FOUND

NONE
 SOME FULL
 SOME OPENED

DAYLIGHT: ALL LIGHTS OFF

FIRE Y



REAR TIRES & WHEELS

Y	N	FLAT TIRE	Y	N
Y	N	HOLE IN TIRE	Y	N
Y	N	UNSEATED	Y	N
Y	N	FLANGE BENT	Y	N
Y	N	WHEEL STUCK	Y	N

REAR Y N ? REAR Y N ? REAR Y N ?

RIGHT SAFETY BELTS USED LEFT

FRONT Y N ? FRONT Y N ? FRONT Y N ?

BRAKE PEDAL STEERING WHEEL

FREE TO FLOOR	Y	X	URNS LOOSELY	X	N
STUCK TIGHT	Y	X	STUCK TIGHT	Y	X

SPEEDOMETER READING **UNABLE TO READ**

LIGHT SWITCH ON Y N

FRONT TIRES & WHEELS

Y	N	FLAT TIRE	Y	N
Y	N	HOLE IN TIRE	Y	N
Y	N	UNSEATED	Y	N
Y	N	FLANGE BENT	Y	N
Y	N	WHEEL STUCK	Y	N

AIR BAGS DEPLOYED (2)

DAMAGE SEVERITY

DISABLING
 FUNCTIONAL
 OTHER
 NONE

SIGNAL LAMP	HEADLAMPS		FRONT LAMPS	HEADLAMPS		SIGNAL LAMP
	MAIN	EXTRA		EXTRA	MAIN	
Y	X	Y	ON	Y	X	Y
Y	X	Y	BROKEN	X	N	X

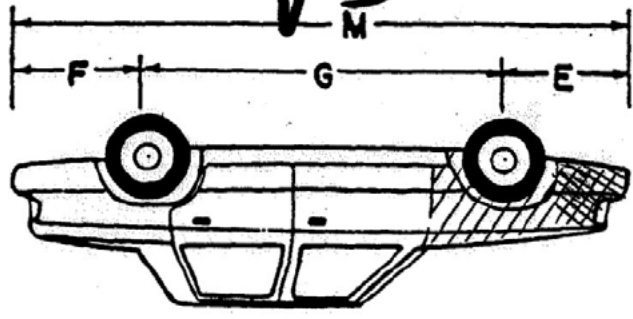
VEHICLE TYPE	SIZE	VIN
MAKE	MODEL	YEAR
DODGE	P14	1999
EXAMINED BY	NAME	HOUR
J. Popp	2227	-
PLATE NUMBER	CA	
DAYS	4	
AFTER ACCIDENT		
PLACE	346 WINCHESTER, OXNARD, CA	
DATE	10/26/01	
PHOTOS BY	J. Popp 2227	

VEHICLE COLLISION DAMAGE RECORD

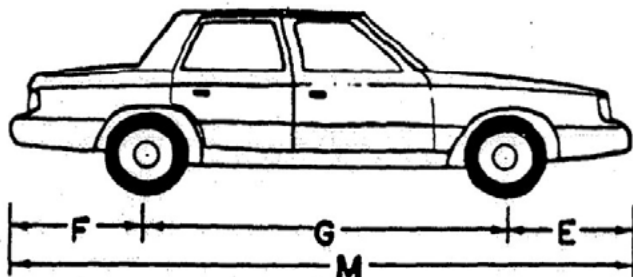
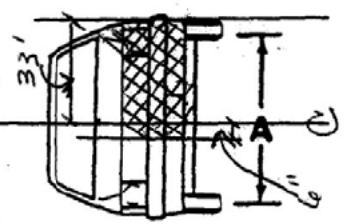
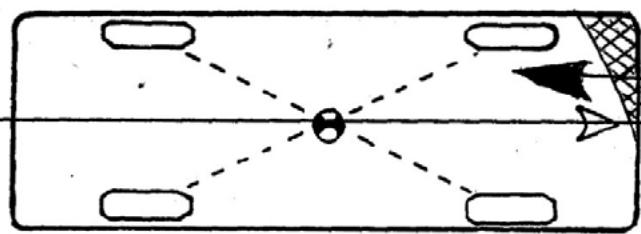
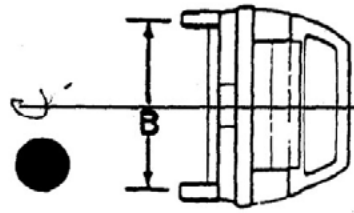
~~13~~
13

ACCIDENT Number	CASE or FILE Number		
	2001-93933		
ON	Road or Street		
	PARKING LOT		
AT	Junction with or distance from		
	121 W. VENTURA BLVD		
IN	City or County		
	CAMARILLO		
	State		
	CA		
HOUR	DATE	MONTH	YEAR
4:16 P	22	OCT	2001

CURB WEIGHT	3550
APPROX. LOAD	
GROSS WEIGHT	



	INDUCED DAMAGE
	CONTACT DAMAGE
	LOCKED WHEEL



IDENTIFICATION PROFILES

AREA	←
D	OFFSET
L	TOTAL LENGTH
C1	
C2	
C3	
C4	
C5	
C6	

DIMENSIONS

	NORMAL	AS MEASURED	
		LEFT	RIGHT
G	WHEEL BASE	131"	129.5" 131"
E	OVERHANG FRONT	34	29 32
F	OVERHANG REAR	44	44 44
M	LENGTH OVER ALL	209	203 209
A	TRACK FRONT	60	60
B	TRACK REAR	61	61
W	WIDTH MIDDLE	71	71

SHOW ARROW FOR THRUST DIRECTION AND PLACEMENT

V7

GENERAL VEHICLE EXAMINATION

MAKE Ford Probe	MODEL 1997	YEAR 1997	PLATE NUMBER [REDACTED]
EXAMINED BY --Name J. Papp	Hours	Days	AFTER ACCIDENT
<input checked="" type="checkbox"/> AT FINAL POSITION	<input checked="" type="checkbox"/> UPRIGHT	<input type="checkbox"/> ON LEFT SIDE	<input type="checkbox"/> ON RIGHT SIDE
<input type="checkbox"/> AFTER BEING MOVED	<input type="checkbox"/> BOTTOM UP		
PLACE (if not at scene)	PHOTOS BY Papp		

ACCIDENT Number	CASE or FILE Number 2001-93933		
Road or Street ON PARKING LOT			
Junction with or distance from AT 121 W. VERONA BLVD			
City or County IN Camarillo State CA			
HOUR 4:11 P	DATE 22	MONTH OCT	YEAR 2001

CARGO AREA
<input checked="" type="checkbox"/> NEARLY FULL
<input type="checkbox"/> PARTLY FULL
<input type="checkbox"/> NEARLY EMPTY

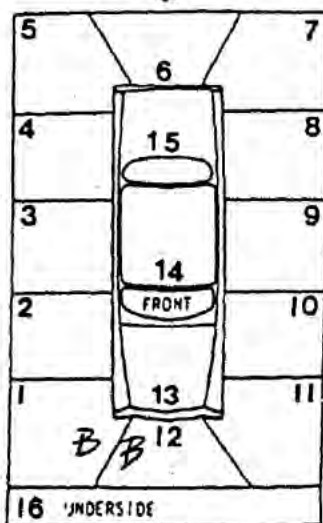
OUTBOARD		MIDDLE	INBOARD		REAR LAMPS	INBOARD	MIDDLE	OUTBOARD		
Y	N	Y	N	Y	N	ON	Y	N	Y	N
Y	N	Y	N	Y	N	BROKEN	Y	N	Y	N

ALCOHOLIC BEVERAGE CONTAINERS FOUND
<input checked="" type="checkbox"/> NONE
<input type="checkbox"/> SOME FULL
<input type="checkbox"/> SOME OPENED

DAYLIGHT: ALL LIGHTS OFF	<input checked="" type="checkbox"/>
--------------------------	-------------------------------------

FIRE	Y	<input checked="" type="checkbox"/>
------	---	-------------------------------------

DAMAGED VEHICLE AREAS
A SLIGHT, B MODERATE
C SEVERE



DAMAGE SEVERITY
<input type="checkbox"/> DISABLING
<input checked="" type="checkbox"/> FUNCTIONAL
<input type="checkbox"/> OTHER
<input type="checkbox"/> NONE

REAR TIRES & WHEELS					
Y	N	FLAT TIRE	Y	N	
Y	N	HOLE IN TIRE	Y	N	
Y	N	UNSEATED	Y	N	
Y	N	FLANGE BENT	Y	N	
Y	N	WHEEL STUCK	Y	N	
Y	N	REAR	Y	N	
Y	N	REAR	Y	N	
Y	N	REAR	Y	N	
SAFETY BELTS USED					
Y	N	FRONT	Y	N	
Y	N	FRONT	Y	N	
X	N	FRONT	X	N	
BRAKE PEDAL		STEERING WHEEL			
FREE TO FLOOR	Y	N	TURNS LOOSELY	Y	N
STUCK TIGHT	Y	N	STUCK TIGHT	Y	N
SPEEDOMETER READING					
LIGHT SWITCH ON					
Y	N	FLAT TIRE	Y	N	
Y	N	HOLE IN TIRE	Y	N	
Y	N	UNSEATED	Y	N	
Y	N	FLANGE BENT	Y	N	
Y	N	WHEEL STUCK	Y	N	
FRONT TIRES & WHEELS					

SIGNAL LAMP	HEADLAMPS		FRONT LAMPS	HEADLAMPS		SIGNAL LAMP		
	MAIN	EXTRA		EXTRA	MAIN			
Y	X	Y	X	ON	Y	X	Y	X
Y	X	Y	X	BROKEN	Y	X	Y	X

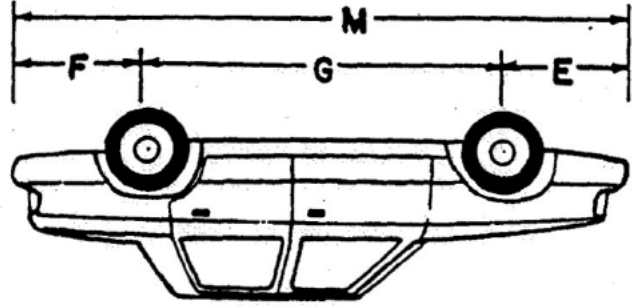
V7

VEHICLE COLLISION DAMAGE RECORD

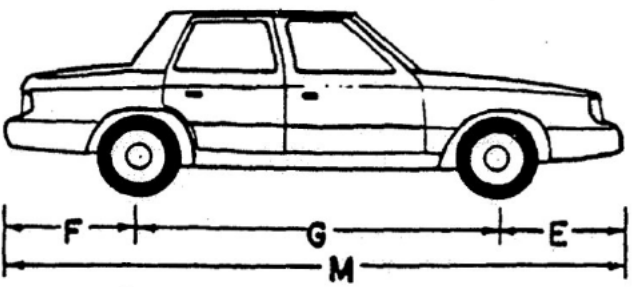
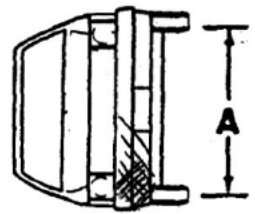
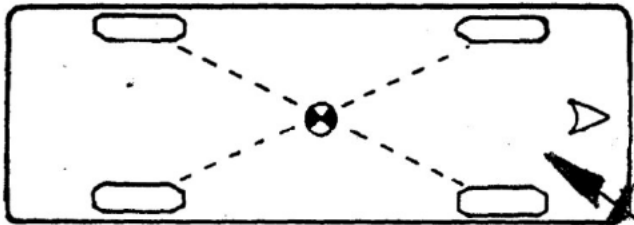
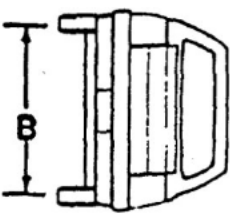
VEHICLE TYPE	SIZE	VIN
MAKE	MODEL	YEAR
Ford Crown Vic		1997
EXAMINED BY	NAME	HOUR
J. Popp		2277
PLACES	AFTER ACCIDENT	
AT SCENE		
DATE	PHOTOS BY	
10/22/01	Popp 2277	

ACCIDENT Number	CASE or FILE Number		
ON	Road or Street		
AT	Junction with or distance from		
IN	City or County	State	
HOUR	DATE	MONTH	19
	M		

CURB WEIGHT	3823
APPROX. LOAD	
GROSS WEIGHT	



	INDUCED DAMAGE
	CONTACT DAMAGE
	LOCKED WHEEL



INDENTATION PROFILES

AREA		
D	OFFSET	
L	TOTAL LENGTH	
C1		
C2		
C3		
C4		
C5		
C6		

DIMENSIONS

		AS MEASURED	
		LEFT	RIGHT
G	WHEEL BASE	114	
E	OVERHANG FRONT	42	
F	OVERHANG REAR	55	
M	LENGTH OVER ALL	212	
A	TRACK FRONT	63	
B	TRACK REAR	63	
W	WIDTH MIDDLE	78	

SHOW ARROW FOR THRUST DIRECTION AND PLACEMENT

NARRATIVE REPORT VENTURA COUNTY SHERIFF'S DEPARTMENT

Page 1 of 1 Continuation

AGENCY IDENTIFIER CA0560000

1 R.D. 8045	2 BEAT 8D01	3 RB NUMBER 01-93933
----------------	----------------	-------------------------

4 CODE	5 ITEM	6 QTY.	7 ITEM NAME	8 BRAND / MAKE MANUFACTURER	9 MODEL NAME OR NUMBER	10 MISC. DESCRIPTION	11 IDENTIFICATION / SERIAL NUMBER	12 VALUE
--------	--------	--------	-------------	-----------------------------	------------------------	----------------------	-----------------------------------	----------

- Supplemental Case Closed
 Gang Domestic Hate Child Abuse Elderly Abuse

Connecting Report Numbers:

Code Section / Description; 245 PC Assault with a Deadly Weapon

Reclassify To:

Code: A Name: Alejandro Rubio

On 10-22-2001 at approximately 1730 hours, I responded to 121 W. Ventura Blvd in Camarillo to assist in an investigation of an assault with a deadly weapon call. Upon arrival, Detective Kelley requested that Deputy B. Sliva and I document the vehicles located in the parking lot where the incident occurred. Below is a list of vehicles that were parked in the parking lot. Refer to Deputy Sliva's sketch of the parking lot for the positions of the below listed vehicles.

- | | | | |
|-----|------------|------------------------------------|---|
| 1. | [REDACTED] | Green Dodge Caravan | N |
| 2. | [REDACTED] | Green Ford P/U with shell | N |
| 3. | [REDACTED] | Green Ford P/U | |
| 4. | [REDACTED] | Blue Honda Civic | |
| 5. | [REDACTED] | Purple Dodge Caravan | |
| 6. | [REDACTED] | Black Nissan 240 SX | |
| 7. | [REDACTED] | Tan Nissan Frontier P/U | |
| 8. | [REDACTED] | Black Chevrolet P/U | |
| 9. | [REDACTED] | Grey Chevrolet P/U (Montana Plate) | N |
| 10. | [REDACTED] | Black Nissan Maxima | N |
| 11. | [REDACTED] | Black Dodge P/U | N |
| 12. | [REDACTED] | Tan Winnebago motor home | |
| 13. | [REDACTED] | White Mazda 626 | |
| 14. | [REDACTED] | Brown Jeep Cherokee | N |
| 15. | [REDACTED] | Green S-10 P/U | |
| 16. | [REDACTED] | Ford Crown Victoria 3114 | G |
| 17. | [REDACTED] | Honda Accord | S |
| 18. | [REDACTED] | Ford Crown Victoria 3338 | C |
| 19. | [REDACTED] | Datsun 280Z | |
| 20. | [REDACTED] | Ford Crown Victoria 3076 | G |
| 21. | [REDACTED] | Ford Crown Victoria 3058 | C |
| 22. | [REDACTED] | Green Jeep Cherokee | N |
| 23. | [REDACTED] | Blue Ford Mustang | N |

13 DATE / TIME OF REPORT
10/30/01/ 9:31 AM

14 REPORTING OFFICER / ID NO / DIV / UNIT
J. Hendren# 3074 Spec. Serv.

15 APPROVED BY / ID NO
[Signature] #1022 Sgt

NARRATIVE REPORT VENTURA COUNTY SHERIFF'S DEPARTMENT

Page 1 of 1 Continuation

AGENCY IDENTIFIER CA0560000

1 R.D. 8045	2 BEAT 8D	3 RB NUMBER 01-93933
----------------	--------------	-------------------------

4 CODE	5 ITEM	6 QTY.	7 ITEM NAME	8 BRAND / MAKE MANUFACTURER	9 MODEL NAME OR NUMBER	10 MSC. DESCRIPTION	11 IDENTIFICATION / SERIAL NUMBER	12 VALUE
--------	--------	--------	-------------	-----------------------------	------------------------	---------------------	-----------------------------------	----------

Narrative Supplemental Case Closed

Domestic Child Abuse Hate Gang Elderly Abuse

Connecting Report Numbers:

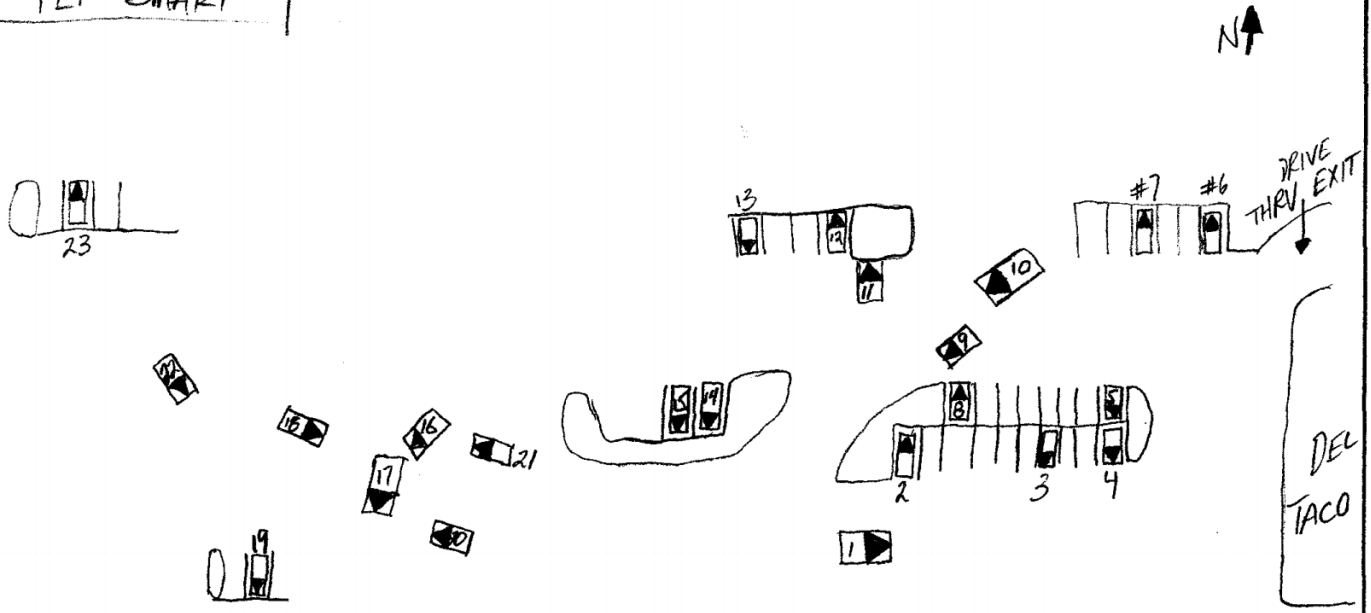
Code Section / Description: Code Section / Description: (Reclassify to:)

245 P.C. / ASSAULT WITH A DEADLY WEAPON

Code: A Name: RUBIO, ALEJANDRO

ON 10-22-01 AT APPROXIMATELY 1700 HOURS I WENT TO 121 W. VENTURA BLVD., CAMARILLO REFERENCE AN OFFICER INVOLVED SHOOTING. UPON ARRIVAL, I CONTACTED DETECTIVE KELLEY AND HE ASKED DET. HENDREN AND MYSELF TO OBTAIN THE VEHICLE INFORMATION AND SKETCH THE VEHICLES LOCATIONS IN THE PARKING LOT. REFER TO BELOW.

PET SMART



THE NUMBERS ON THE VEHICLES COINCIDE WITH THE LISTED VEHICLES IN DET. HENDREN'S REPORT.

13 DATE / TIME OF REPORT 10/30/01 08:10	14 REPORTING OFFICER / ID NO / DIV / UNIT B. Sliva #2959 Spec. Serv. <i>BS</i>	15 APPROVED BY / ID NO <i>F.R. Kelley #7822</i>
--	---	--

NARRATIVE REPORT VENTURA COUNTY SHERIFF'S DEPARTMENT

Page 1 of 6 Continuation

AGENCY IDENTIFIER CA0560000

1 R.D. 8045	2 BEAT 8D01	3 RB NUMBER 01-93933
----------------	----------------	-------------------------

4 CODE	5 ITEM	6 QTY.	7 ITEM NAME	8 BRAND / MAKE MANUFACTURER	9 MODEL NAME OR NUMBER	10 MISC. DESCRIPTION	11 IDENTIFICATION / SERIAL NUMBER	12 VALUE
--------	--------	--------	-------------	-----------------------------	------------------------	----------------------	-----------------------------------	----------

- Supplemental Case Cleared
 Gang Domestic Hate Child Abuse Elderly Abuse

Connecting Report Numbers:

Code Section / Description:

Code Section / Description:

Reclassify to:

Code: V-1 Name: REYES/NELSON

INTERVIEW OF DETECTIVE CAPUANO

ON 10-22-01, AT APPROXIMATELY 8:50 PM I INTERVIEWED DETECTIVE STEVE CAPUANO OF THE VENTURA COUNTY SHERIFF'S DEPARTMENT CONCERNING THE "BUY/BUST" OPERATION THAT TOOK PLACE IN THE PARKING LOT OF "DEL TACO" IN THE CITY OF CAMARILLO. DETECTIVE CAPUANO IS ASSIGNED TO THE VENTURA COUNTY NARCOTICS TASK FORCE. A "WALK THROUGH" OF THE SCENE WAS ALSO CONDUCTED WITH DETECTIVE CAPUANO.

IN ESSENCE DETECTIVE CAPUANO TOLD ME HE WAS ACTING IN AN UNDERCOVER CAPACITY TO PURCHASE FOUR [4] POUNDS OF CRYSTAL METHAMPHETAMINE FROM TWO SUSPECTS WHO LIVE IN THE WILMINGTON AREA OF LOS ANGELES. CAPUANO TOLD ME HE HAS BEEN NEGOTIATING THE DEAL WITH A SUSPECT NAMED ALEX RUBIO FOR THE PAST WEEK. CAPUANO TOLD ME THAT THE "DEL TACO" PARKING LOT HAD BEEN AGREED UPON BY RUBIO AND HIM AS THE PRE-ARRANGED MEET LOCATION TO COMPLETE THE TRANSACTION.

CAPUANO SAID THAT HE AND OTHER NARCOTICS DETECTIVES WERE SET UP AT THE "DEL TACO" PARKING LOT WAITING FOR THE SUSPECT'S TO ARRIVE AND COMPLETE

13 DATE / TIME OF REPORT 10/25/01/ 4:58 PM	14 REPORTING OFFICER / ID NO / DIV / UNIT J. PANZA / 1204 / MC / Homicide	15 APPROVED BY / ID NO <i>A. R. Kelley #1832</i>
---	--	---

NARRATIVE REPORT VENTURA COUNTY SHERIFF'S DEPARTMENT

Page 2 of 6 Continuation

AGENCY IDENTIFIER CA0560000

1 R.D. 8045	2 BEAT 8D01	3 RB NUMBER 01-93933
----------------	----------------	-------------------------

4 CODE	5 ITEM	6 QTY.	7 ITEM NAME	8 BRAND / MAKE MANUFACTURER	9 MODEL NAME OR NUMBER	10 MISC. DESCRIPTION	11 IDENTIFICATION / SERIAL NUMBER	12 VALUE
--------	--------	--------	-------------	-----------------------------	------------------------	----------------------	-----------------------------------	----------

THE DEAL. CAPUANO SAID THAT ANOTHER SURVEILLANCE TEAM OF NARCOTIC'S DETECTIVES WERE SURVEILLING THE SUSPECTS FROM THE WILMINGTON AREA TO THE "DEL TACO" LOT. CAPUANO SAID HE HAD PARKED HIS PICK-UP TRUCK IN THE "DEL TACO" PARKING LOT. CAPUANO SAID THE TRUCK WAS FACING NORTH IN THE LOT.

CAPUANO SAID HE WAS MONITORING THE PROGRESS OF THE TEAM SURVEILLING RUBIO'S CAR OVER THE RADIO IN HIS TRUCK. CAPUANO SAID HE HEARD THE SURVEILLANCE UNITS APPROACHING THE AREA OF HIGHWAY 101 AND FLYNN ROAD. CAPUANO SAID AFTER THE SUSPECT'S VEHICLE EXITED AT LAS POSAS ROAD HE TURNED OFF HIS RADIO TO AWAIT THE ARRIVAL OF THE SUSPECTS.

CAPUANO SAID AFTER SHUTTING HIS RADIO OFF HE GOT OUT OF HIS TRUCK IN ANTICIPATION OF THE SUSPECTS ENTERING THE PARKING LOT. CAPUANO SAID HE KNEW WHAT VEHICLE THE SUSPECTS WERE DRIVING AND SAW IT AS IT TURNED OFF LAS POSAS ROAD AND CAME INTO THE "DEL TACO" LOT. CAPUANO SAID TWO PEOPLE OCCUPIED THE CAR. CAPUANO SAID THE SUSPECT'S CAR BACKED INTO THE PARKING STALL NEXT TO THE PASSENGER SIDE OF HIS TRUCK. CAPUANO SAID THE SUSPECT'S CAR WAS FACING SOUTH IN THE LOT.

CAPUANO SAID HE THEN APPROACHED THE DRIVERS SIDE DOOR OF THE SUSPECT'S CAR. CAPUANO SAID ALEX RUBIO WAS DRIVING THE CAR AND THE PASSENGER WAS IN THE RIGHT FRONT SEAT. CAPUANO SAID THE PASSENGER ROLLED DOWN THE WINDOW, OPENED THE PASSENGER SIDE DOOR AND TOLD CAPUANO HE WAS GETTING INTO THE BACK SEAT OF THE CAR SO CAPUANO COULD GET IN THE FRONT SEAT.

CAPUANO SAID THE PASSENGER GOT INTO THE REAR OF THE CAR AND CAPUANO ENGAGED RUBIO IN CONVERSATION. CAPUANO SAID RUBIO WANTED HIM TO GET IN

13 DATE / TIME OF REPORT 10/25/01/ 4:58 PM	14 REPORTING OFFICER / ID NO / DIV / UNIT J. PANZA / 1204 / MC / Homicide	15 APPROVED BY / ID NO <i>S. R. Kelley #1822 Sgt</i>
---	--	---

NARRATIVE REPORT VENTURA COUNTY SHERIFF'S DEPARTMENT

Page 3 of 6 Continuation

AGENCY IDENTIFIER CA0560000

1 R.D. 8045	2 BEAT 8D01	3 RB NUMBER 01-93933
----------------	----------------	-------------------------

4 CODE	5 ITEM	6 QTY.	7 ITEM NAME	8 BRAND / MAKE MANUFACTURER	9 MODEL NAME OR NUMBER	10 MISC. DESCRIPTION	11 IDENTIFICATION / SERIAL NUMBER	12 VALUE
--------	--------	--------	-------------	-----------------------------	------------------------	----------------------	-----------------------------------	----------

THE VEHICLE BUT CAPUANO DID NOT GET INSIDE. CAPUANO SAID HE COULD NOT SEE WHAT THE PASSENGER WAS DOING IN THE REAR SEAT AND HE NEVER TALKED TO HIM. CAPUANO SAID HE AND RUBIO TALKED ABOUT THE DRUG DEAL. CAPUANO SAID RUBIO SPEAKS "VERY GOOD" ENGLISH.

CAPUANO SAID HE CONVINCED RUBIO TO SHOW HIM THE DRUGS. CAPUANO SAID THE REAR PASSENGER THEN PASSED A BLACK BACKPACK FROM THE BACK SEAT TO RUBIO. CAPUANO SAID RUBIO SHOWED HIM THE DRUGS, AT WHICH TIME CAPUANO SAID HE GAVE BOTH THE VERBAL AND VISUAL "BUST" SIGNAL. CAPUANO SAID THE VERBAL "BUST" SIGNAL WAS "THAT LOOKS REALLY GOOD, EDDIE'S REALLY GONNA LIKE THIS". CAPUANO SAID THE VISUAL SIGNAL WAS TO RUN HIS HANDS THROUGH HIS HAIR.

CAPUANO SAID HE THEN WALKED AROUND THE FRONT OF HIS TRUCK AND OPENED THE DRIVERS DOOR OF THE TRUCK. CAPUANO SAID HE PRETENDED TO BE RETRIEVING THE MONEY, [FOR THE PURCHASE] FROM THE REAR SEAT AREA OF THE TRUCK AND AWAITED THE RESPONSE OF THE "BUST" TEAM.

CAPUANO SAID HE SAW THE "BUST" TEAM APPROACH AND STOP BEHIND HIM. CAPUANO SAID HE SAW THE TEAM GET OUT OF THE VAN AND HEARD THEM YELLING, "SHERIFF'S DEPARTMENT, LET ME SEE YOUR HANDS, AND GET DOWN". CAPUANO SAID HE DID NOT SEE THE TEAM AT THAT TIME, OR WHO WAS GIVING THE COMMANDS; HE COULD NOW ONLY HEAR THEM.

CAPUANO SAID HE NOW HEARD THE ENGINE "REV UP AND THE TIRES SQUEAL" ON THE SUSPECT'S VEHICLE. CAPUANO SAID HE ALSO HEARD SOMEONE YELL "THEIR RUNNING". CAPUANO SAID HE THEN SAW THE SUSPECT'S CAR SPEED OFF EAST THROUGH THE "DEL TACO" LOT. CAPUANO SAID HE WAS STANDING AT THE DRIVERS SIDE DOOR OF HIS TRUCK WHEN THIS TOOK PLACE.

13 DATE / TIME OF REPORT 10/25/01/ 4:58 PM	14 REPORTING OFFICER / ID NO / DIV / UNIT J. PANZA / 1204 / MC / Homicide	15 APPROVED BY / ID NO <i>J.L. Kelley #1832</i>
---	--	--

NARRATIVE REPORT VENTURA COUNTY SHERIFF'S DEPARTMENT

Page 4 of 6 Continuation

AGENCY IDENTIFIER CA0560000

1 R.D. 8045	2 BEAT 8D01	3 RB NUMBER 01-93933
----------------	----------------	-------------------------

4 CODE	5 ITEM	6 QTY.	7 ITEM NAME	8 BRAND / MAKE MANUFACTURER	9 MODEL NAME OR NUMBER	10 MISC. DESCRIPTION	11 IDENTIFICATION / SERIAL NUMBER	12 VALUE
--------	--------	--------	-------------	-----------------------------	------------------------	----------------------	-----------------------------------	----------

CAPUANO SAID HE NEXT SAW THE SUSPECT'S CAR COME TO A "SCREECHING" HALT NEAR THE "DO NOT ENTER" SIGN OF THE DRIVE THROUGH EXIT OF "DEL TACO". CAPUANO SAID THE SUSPECT'S CAR WAS FACING EAST IN THE DRIVE THROUGH EXIT.

CAPUANO SAID HE NOW SAW DETECTIVE REYES RUNNING AFTER THE SUSPECT'S CAR ORDERING THEM TO STOP. CAPUANO SAID REYES WAS ARMED WITH A "LONG RIFLE". CAPUANO SAID HE ALSO SAW DETECTIVE NELSON BEHIND REYES AND DETECTIVE TOUGAS OFF TO HIS, [CAPUANO'S] RIGHT. CAPUANO SAID HE WAS STILL STANDING NEAR THE DRIVERS SIDE DOOR OF HIS TRUCK.

CAPUANO SAID HE NOW SAW REYES NEAR THE DRIVERS SIDE OF THE SUSPECT'S CAR. CAPUANO SAID HE SAW THE BACK UP LIGHTS OF THE SUSPECT'S CAR COME ON. CAPUANO SAID THE SUSPECT'S CAR BEGAN TO BACK UP AND HE SAW THE REAR WHEELS OF THE SUSPECT'S VEHICLE BEGIN TO SMOKE. CAPUANO SAID HE SAW RUBIO "SNAP" THE STEERING WHEEL AND THE CAR "CAME AROUND BACKWARDS". CAPUANO SAID THE BACK OF THE SUSPECT'S CAR THEN STRUCK THE SILVER PICK-UP TRUCK PARKED SOUTH OF THE "PIER ONE IMPORTS" STORE. CAPUANO DESCRIBED THE TURNING ACTION BY THE SUSPECT AS A "REVERSE U TURN".

CAPUANO SAID AT THE SAME TIME THE SUSPECT'S CAR WAS BACKING, REYES WAS SHOOTING AT THE TIRES ON THE DRIVERS SIDE OF THE SUSPECT'S CAR. CAPUANO SAID WHEN THE SUSPECT'S CAR BEGAN BACKING OUT OF THE DRIVE THROUGH EXIT, IT WAS THEN HE THOUGHT HE HEARD THE FIRST SHOT FIRED BY REYES.

CAPUANO SAID THE SUSPECT THEN SPUN THE REAR END OF HIS CAR AROUND AND WOUND UP FACING WEST IN THE PARKING LOT. CAPUANO SAID HE NOW HEARD A VOLLEY OF SHOTS. CAPUANO SAID HE WAS STILL IN THE PLANTER NEXT TO HIS

13 DATE / TIME OF REPORT 10/25/01/ 4:58 PM	14 REPORTING OFFICER / ID NO / DIV / UNIT J. PANZA / 1204 / MC / Homicide	15 APPROVED BY / ID NO <i>J. L. Kelly #7802 Sgt</i>
---	--	--

NARRATIVE REPORT VENTURA COUNTY SHERIFF'S DEPARTMENT

Page 5 of 6 Continuation

AGENCY IDENTIFIER CA0560000

1 R.D. 8045	2 BEAT 8D01	3 RB NUMBER 01-93933
----------------	----------------	-------------------------

4 CODE	5 ITEM	6 QTY.	7 ITEM NAME	8 BRAND / MAKE MANUFACTURER	9 MODEL NAME OR NUMBER	10 MISC. DESCRIPTION	11 IDENTIFICATION / SERIAL NUMBER	12 VALUE
--------	--------	--------	-------------	-----------------------------	------------------------	----------------------	-----------------------------------	----------

TRUCK. CAPUANO SAID HE DID SEE DETECTIVE TOUGAS SHOOT HIS WEAPON. CAPUANO SAID TOUGAS WAS AT THE REAR OF HIS, [CAPUANO'S] TRUCK.

CAPUANO SAID HE WENT BACK AROUND TO THE DRIVERS SIDE OF HIS TRUCK BECAUSE THE SUSPECT HAD HIS CAR "FLOORED AND THE ENGINE WAS RACING". CAPUANO SAID THE SUSPECT'S CAR WAS "SWERVING TO AVOID THE GUNFIRE FROM REYES". CAPUANO SAID THE SUSPECT'S CAR CONTINUED THROUGH THE LOT HEADED WESTBOUND RACING PAST HIM.

CAPUANO SAID THE SUSPECT'S VEHICLE LOOKED AS IF IT WAS GOING TO HIT THE BLACK CHEVROLET PICK-UP TRUCK, [PARKED NEXT TO CAPUANO'S TRUCK] OR THE PLANTER WHERE HE WAS STANDING. CAPUANO SAID HE THOUGHT THE SUSPECT WAS GOING TO LOSE CONTROL OF HIS CAR. CAPUANO SAID HE THEN RAN BACK BEHIND HIS TRUCK TO TAKE COVER.

CAPUANO SAID AS THE SUSPECT'S CAR WAS HEADING WESTBOUND HE COULD SEE RUBIO "CROUCHED OVER THE PASSENGER SEAT AND NOT WATCHING WHERE HE WAS DRIVING". CAPUANO SAID RUBIO WAS "PEEKING OVER THE DASHBOARD". CAPUANO SAID HE THEN HEARD A LOUD COLLISION AND HE SAW THE SUSPECT'S CAR "RAKING ACROSS THE FRONT OF DETECTIVE LAUBACHER'S TRUCK.

CAPUANO SAID AFTER STRIKING LAUBACHER'S TRUCK THE SUSPECT VEHICLE CONTINUED WESTBOUND THROUGH THE PARKING LOT TOWARDS THE OCCUPIED PARKING LOT OF THE "TARGET" SHOPPING CENTER. CAPUANO SAID HE THEN SAW A PATROL CAR COLLIDE WITH THE SUSPECT'S CAR DISABLING IT. CAPUANO SAID THE SUSPECT'S WERE THEN TAKEN INTO CUSTODY.

CAPUANO SAID FROM THE TIME THE BUST SIGNAL WAS GIVEN UNTIL THE SUSPECT'S WERE TAKEN INTO CUSTODY, HE ESTIMATED THE TIME IT TOOK TO BE 25 SECONDS.

13 DATE / TIME OF REPORT 10/25/01/ 4:58 PM	14 REPORTING OFFICER / ID NO / DIV / UNIT J. PANZA / 1204 / MC / Homicide	15 APPROVED BY / ID NO <i>A.R. Kelley #1822 Def</i>
---	--	--

NARRATIVE REPORT VENTURA COUNTY SHERIFF'S DEPARTMENT

Page 6 of 6

Continuation

AGENCY IDENTIFIER CA0560000

1 R.D. 8045	2 BEAT 8D01	3 RB NUMBER 01-93933
----------------	----------------	-------------------------

4 CODE	5 ITEM	6 QTY.	7 ITEM NAME	8 BRAND / MAKE MANUFACTURER	9 MODEL NAME OR NUMBER	10 MISC. DESCRIPTION	11 IDENTIFICATION / SERIAL NUMBER	12 VALUE
--------	--------	--------	-------------	-----------------------------	------------------------	----------------------	-----------------------------------	----------

CAPUANO SAID HE FEARED FOR HIS SAFETY AND THE SAFETY OF OTHERS IN THE LOT BECAUSE OF THE WAY RUBIO DROVE RECKLESSLY THROUGH THE PARKING LOT.

13 DATE / TIME OF REPORT

10/25/01/ 4:58 PM

14 REPORTING OFFICER / ID NO / DIV / UNIT

J. PANZA / 1204 / MC / Homicide

15 APPROVED BY / ID NO

D.R. Kelley #1852

NARRATIVE REPORT VENTURA COUNTY SHERIFF'S DEPARTMENT

Page 1 of 6 Continuation

AGENCY IDENTIFIER CA0560000

1 R.D. 8045	2 BEAT 8D01	3 RB NUMBER 01-93933
----------------	----------------	-------------------------

4 CODE	5 ITEM	6 QTY.	7 ITEM NAME	8 BRAND / MAKE MANUFACTURER	9 MODEL NAME OR NUMBER	10 MISC. DESCRIPTION	11 IDENTIFICATION / SERIAL NUMBER	12 VALUE
--------	--------	--------	-------------	-----------------------------	------------------------	----------------------	-----------------------------------	----------

- Supplemental Case Cleared
 Gang Domestic Hate Child Abuse Elderly Abuse

Connecting Report Numbers:

Code Section / Description:

Code Section / Description:

Reclassify to:

Code: V-1 Name: REYES, EDDIE

INTERVIEW OF DETECTIVE REYES

DETECTIVE REYES WAS THE CO-CASE AGENT OF AN UNDERCOVER NARCOTICS "BUY-BUST" OPERATION THAT WAS TO PURCHASE FOUR POUNDS OF METHAMPHETAMINE FROM A SUSPECT IDENTIFIED AS "ALEJANDRO RUBIO".

S- RUBIO LIVES IN THE WILMINGTON AREA OF LOS ANGELES. S- RUBIO, ALONG WITH A SECOND SUSPECT LATER IDENTIFIED AS PETER CAMEZ, WERE SURVEILLED BY NARCOTICS DETECTIVES FROM THE WILMINGTON AREA TO THE PRE-ARRANGED "BUST" LOCATION WHICH WAS DESIGNATED TO BE THE PARKING LOT OF "DEL TACO" IN THE CITY OF CAMARILLO. THIS WAS THE SECOND PURCHASE OF NARCOTICS FROM S- RUBIO.

BESIDES BEING CO-CASE AGENT DETECTIVE REYES WAS ALSO A PART OF THE "BUST" TEAM THAT WAS TO ARREST THE SUSPECT [S] AFTER THE "BUST" SIGNAL WAS GIVEN BY THE UNDERCOVER OFFICER, [DETECTIVE CAPUANO].

ON 10-22-01 I INTERVIEWED DETECTIVE REYES AT THE SCENE OF THE SHOOTING. A "WALK THROUGH" OF THE SCENE WAS ALSO CONDUCTED WITH DETECTIVE REYES

13 DATE / TIME OF REPORT 10/23/01/ 11:36 PM	14 REPORTING OFFICER / ID NO / DIV / UNIT J. PANZA / 1204 / MC / Homicide	15 APPROVED BY / ID NO <i>A.P. Kelley #1822 dgt</i>
--	--	--

NARRATIVE REPORT VENTURA COUNTY SHERIFF'S DEPARTMENT

Page 2 of 6 Continuation

AGENCY IDENTIFIER CA0560000

1 R.D. 8045	2 BEAT 8D01	3 RB NUMBER 01-93933
----------------	----------------	-------------------------

4 CODE	5 ITEM	6 QTY.	7 ITEM NAME	8 BRAND / MAKE MANUFACTURER	9 MODEL NAME OR NUMBER	10 MISC. DESCRIPTION	11 IDENTIFICATION / SERIAL NUMBER	12 VALUE
--------	--------	--------	-------------	-----------------------------	------------------------	----------------------	-----------------------------------	----------

AT THIS TIME. IN ESSENCE DETECTIVE REYES TOLD ME THE FOLLOWING: REYES WAS THE DRIVER OF THE VAN THAT CONTAINED THE "BUST" TEAM TO BE USED IN THE OPERATION. OTHER MEMBERS OF THE TEAM WERE DETECTIVES, LATTIN AND ROMERO WHO WERE POSITIONED IN THE REAR OF THE VAN.

REYES SAID HE MONITORED THE PROGRESS OF THE SURVEILLANCE TEAM THAT WAS FOLLOWING THE SUSPECTS FROM THE WILMINGTON AREA. REYES SAID HE KNEW WHEN THE SURVEILLANCE TEAM WAS CLOSE BY AND HEARD WHEN THEY FOLLOWED THE SUSPECT OFF THE FREEWAY AT LAS POSAS ROAD. REYES SAID THAT HE AND THE "BUST" TEAM WERE PARKED IN THE PARKING LOT OF "DEL TACO" APPROXIMATELY THIRTY YARDS WEST OF WHERE DETECTIVE CAPUANO'S TRUCK WAS PARKED. REYES SAID THAT HE COULD SEE CAPUANO'S TRUCK FROM HIS LOCATION.

REYES SAID THAT HE SAW THE SUSPECTS VEHICLE PULL INTO THE "DEL TACO" PARKING LOT FROM LAS POSAS ROAD. REYES SAID THE SUSPECT'S VEHICLE DROVE WEST ON THE ENTRANCE WAY INTO THE SHOPPING COMPLEX AND THEN TURNED RIGHT, [NORTH] INTO THE "DEL TACO" LOT. REYES SAID THE SUSPECT'S VEHICLE BACKED INTO A PARKING SPACE RIGHT NEXT TO WHERE CAPUANO'S TRUCK WAS PARKED. REYES SAID CAPUANO'S TRUCK WAS FACING NORTH AND THE SUSPECTS VEHICLE WAS FACING SOUTH.

REYES SAID ONCE THE SUSPECT VEHICLE PARKED NEXT TO CAPUANO'S TRUCK, THE PASSENGER IN THE SUSPECT VEHICLE GOT OUT OF THE FRONT PASSENGER SEAT AND WENT INTO THE BACK SEAT OF THE SUSPECT VEHICLE. REYES SAID THAT CAPUANO THEN ENGAGED THE SUSPECT [S] IN CONVERSATION PERTAINING TO THE NARCOTICS PURCHASE.

13 DATE / TIME OF REPORT 10/23/01/ 11:36 PM	14 REPORTING OFFICER / ID NO / DIV / UNIT J. PANZA / 1204 / MC / Homicide	15 APPROVED BY / ID NO <i>D. Kelly #1832</i>
--	--	---

NARRATIVE REPORT VENTURA COUNTY SHERIFF'S DEPARTMENT

Page 3 of 6 Continuation

AGENCY IDENTIFIER CA0560000

1 R.D. 8045	2 BEAT 8D01	3 RB NUMBER 01-93933
----------------	----------------	-------------------------

4 CODE	5 ITEM	6 QTY.	7 ITEM NAME	8 BRAND / MAKE MANUFACTURER	9 MODEL NAME OR NUMBER	10 MISC. DESCRIPTION	11 IDENTIFICATION / SERIAL NUMBER	12 VALUE
--------	--------	--------	-------------	-----------------------------	------------------------	----------------------	-----------------------------------	----------

REYES SAID AFTER A SHORT TIME CAPUANO GAVE THE VERBAL "BUST" SIGNAL ["THIS LOOKS GOOD, EDDIE'S GONNA LIKE THIS"] INDICATING THAT CAPUANO SAW THE NARCOTICS. REYES SAID THAT CAPUANO ALSO GAVE THE VISUAL "BUST" SIGNAL, WHICH WAS TO RUN HIS HANDS THROUGH HIS HAIR. REYES SAID THAT CAPUANO WALKED TO THE DRIVERS SIDE OF HIS TRUCK AT WHICH TIME REYES SAID HE ADVISED THE OTHER NARCOTICS DETECTIVES THAT THE "BUST" SIGNAL HAD BEEN GIVEN, AND FOR EVERYONE TO MOVE IN SLOWLY AND MAKE THE ARREST.

REYES SAID THAT HE DROVE FROM THE WEST PART OF THE PARKING LOT TO THE EAST PART OF THE LOT, STOPPING NEXT TO CAPUANO'S TRUCK, [JUST SOUTH AND WEST OF CAPUANO'S TRUCK, SHIELDED FROM THE SUSPECTS]. REYES SAID HE STOPPED HIS VEHICLE WHERE HE DID, TO BE IN A LESS VULNERABLE POSITION DURING THE ARREST OF THE SUSPECTS.

REYES SAID HE EXITED HIS VEHICLE FROM THE DRIVERS SIDE DOOR AND ROMERO GOT OUT OF THE VAN FROM THE DRIVERS SIDE OF THE PASSENGER COMPARTMENT. REYES SAID LATTIN GOT OUT OF THE VAN ON THE REAR PASSENGER SIDE OF THE VAN.

REYES SAID HE AND OTHER MEMBERS OF THE BUST TEAM WERE WEARING "RAID VESTS" THAT WERE MARKED WITH BADGES AND EITHER THE WORDS "SHERIFF" OR "POLICE" EMBLAZONED ON THE FRONT AND BACK OF THE VESTS. REYES SAID THEY ALSO WERE WEARING DEPARTMENT ISSUED GUN-BELTS.

REYES SAID WHEN THEY GOT OUT OF THE VAN HE AND THE "BUST TEAM POSITIONED AROUND THE SUSPECTS VEHICLE. REYES SAID HE WAS IN FRONT OF, AND SOMEWHAT OFFSET TO THE LEFT OF THE SUSPECTS CAR. REYES SAID LATTIN WAS TO HIS RIGHT AND ROMERO TO HIS LEFT. REYES TOLD ME HE THOUGHT THE SUSPECTS CAR WAS RUNNING WHEN THE "BUST" TEAM GOT OUT OF THE VAN.

13 DATE / TIME OF REPORT
10/23/01/ 11:36 PM

14 REPORTING OFFICER / ID NO / DIV / UNIT
J. PANZA / 1204 / MC / Homicide

15 APPROVED BY / ID NO
G.R. Kelley #892 Agl

NARRATIVE REPORT VENTURA COUNTY SHERIFF'S DEPARTMENT

Page 4 of 6 Continuation

AGENCY IDENTIFIER CA0560000

1 R.D. 8045	2 BEAT 8D01	3 RB NUMBER 01-93933
----------------	----------------	-------------------------

4 CODE	5 ITEM	6 QTY.	7 ITEM NAME	8 BRAND / MAKE MANUFACTURER	9 MODEL NAME OR NUMBER	10 MISC. DESCRIPTION	11 IDENTIFICATION / SERIAL NUMBER	12 VALUE
--------	--------	--------	-------------	-----------------------------	------------------------	----------------------	-----------------------------------	----------

REYES SAID HE AND THE OTHERS WERE SHOUTING "POLICE" AND ORDERING THE SUSPECTS TO SHOW THEIR HANDS AND TO GET OUT OF THEIR CAR. REYES SAID WHEN THEY WERE ORDERING THE SUSPECTS OUT OF THE CAR HE THOUGHT THE PASSENGER WINDOW ON THE SUSPECTS VEHICLE WAS DOWN. REYES SAID HE SAW THE DRIVER OF THE SUSPECT VEHICLE AND WAS WITH-IN FIVE TO EIGHT FEET OF THE CAR WHEN ORDERING THE SUSPECT [S] OUT.

AT THAT POINT REYES SAID THE DRIVER OF THE SUSPECT VEHICLE EITHER STARTED HIS CAR OR PUT THE CAR INTO GEAR AND DROVE THE VEHICLE TOWARDS THEM. REYES SAID HE DID NOT WANT TO GET TO CLOSE TO THE SUSPECTS CAR BECAUSE HE WAS CONCERNED THAT THE DRIVER "COULD JUST PUNCH IT AND RUN OVER US". REYES SAID WHEN THE DRIVER DROVE TOWARDS THEM HE HEARD THE ENGINE ON THE SUSPECT VEHICLE "REV" AND HE HAD TO MOVE OUT OF THE WAY WHEN THE CAR CAME TOWARDS HIM. REYES SAID HE DID NOT SEE DETECTIVE LATTIN AT THIS POINT, BUT REYES SAID HIS FIRST THOUGHT WAS "HE'S GONNA RUN OVER BILL [LATTIN]".

REYES SAID THE SUSPECT'S VEHICLE THEN TURNED TOWARDS "DEL TACO", [EAST] AND DROVE IN THAT DIRECTION THROUGH THE PARKING LOT. REYES SAID HE RAN AFTER THE SUSPECT'S VEHICLE. REYES SAID THE SUSPECT'S VEHICLE THEN TURNED LEFT, [NORTH] THROUGH THE LOT AND DROVE THE WRONG WAY INTO THE DRIVE THROUGH OF "DEL TACO". REYES SAID ONCE THE SUSPECT REALIZED THAT HE COULD NOT GET OUT OF THE PARKING LOT THAT WAY; THE SUSPECT BEGAN BACKING HIS VEHICLE TOWARD HIM. REYES SAID HE WAS BEHIND THE SUSPECT'S VEHICLE AT THAT POINT.

REYES SAID HE SAW THE SUSPECT VEHICLE COME BACK AT HIM "REAL QUICK" AND THAT HIS FIRST THOUGHT WAS THAT THE VEHICLE WAS GOING TO RUN HIM OVER. REYES SAID THE REASON HE HAD STAYED CLOSE TO THE SUSPECT'S VEHICLE WAS

13 DATE / TIME OF REPORT
10/23/01/ 11:36 PM

14 REPORTING OFFICER / ID NO / DIV / UNIT
J. PANZA / 1204 / MC / Homicide

15 APPROVED BY / ID NO
D. L. Kelley #822 Sgt

NARRATIVE REPORT VENTURA COUNTY SHERIFF'S DEPARTMENT

Page 5 of 6 Continuation

AGENCY IDENTIFIER CA0560000

1 R.D. 8045	2 BEAT 8001	3 RB NUMBER 01-93933
----------------	----------------	-------------------------

4 CODE	5 ITEM	6 QTY.	7 ITEM NAME	8 BRAND / MAKE MANUFACTURER	9 MODEL NAME OR NUMBER	10 MISC. DESCRIPTION	11 IDENTIFICATION / SERIAL NUMBER	12 VALUE
--------	--------	--------	-------------	-----------------------------	------------------------	----------------------	-----------------------------------	----------

BECAUSE HE THOUGHT THE SUSPECT'S MIGHT GET OUT OF THE CAR AND FLEE ON FOOT. REYES SAID AS THE VEHICLE BACKED UP, HE BEGAN TO MOVE AWAY FROM THE CAR. REYES SAID THE CAR GOT TO WITH-IN ABOUT FIVE FEET OF HIM WHEN IT FIRST STARTED TO BACK TOWARDS HIM. REYES SAID WHEN THE VEHICLE CAME BACK TOWARDS HIM HE THOUGHT HE HEARD THE TIRES "SCREECH A LITTLE BIT". REYES SAID "HE DEFINITELY WASN'T BACKING UP SLOWLY OR WATCHING OUT FOR ME, OR MY SAFETY".

REYES SAID WHEN THE SUSPECT VEHICLE WAS MAKING THE BACK UP TURN AND HE WAS MOVING OUT OF THE WAY, AT ONE POINT HE WOUND UP NEAR THE DRIVERS SIDE WINDOW OF THE CAR. REYES SAID HE WAS SHOUTING FOR THE SUSPECT TO "STOP THE CAR" AND IDENTIFYING HIMSELF AS THE POLICE. REYES SAID THE DRIVERS WINDOW ON THE CAR WAS DOWN. REYES SAID HE WAS ABOUT THREE FEET AWAY FROM THE DRIVERS WINDOW.

REYES SAID HE KNEW OTHER OFFICERS WERE BEHIND HIM AND TO HIS LEFT, [WEST] AND AS THE SUSPECT VEHICLE STARTED TO DRIVE WEST THROUGH THE LOT HE TRIED TO SHOOT THE LEFT REAR TIRE OUT OF THE VEHICLE WITH HIS .223 CALIBER RIFLE. REYES SAID HE THOUGHT HE FIRED TWO OR THREE TIMES. REYES SAID HE WAS AIMING AT THE TIRE BUT COULD NOT SEE OR HEAR IF HIS ROUNDS WERE IMPACTING THE TIRE. REYES SAID HE DID NOT HEAR ANY OTHER GUN SHOTS. REYES SAID HE "SHOT THE TIRE BECAUSE I WANTED TO STOP THIS GUY WITHOUT HAVING TO KILL HIM".

REYES SAID HE THOUGHT IF THE SUSPECT GOT OUT OF THE LOT "WE WOULD HAVE GOT INTO A PURSUIT, AND IF ANYONE GOT IN HIS WAY HE WOULD RAM THEM". REYES SAID HE THOUGHT "IF WE DIDN'T STOP THIS GUY HE WOULD GET OUT OF THE LOT ANY WAY HE COULD".

13 DATE / TIME OF REPORT 10/23/01/ 11:36 PM	14 REPORTING OFFICER / ID NO / DIV / UNIT J. PANZA / 1204 / MC / Homicide	15 APPROVED BY / ID NO <i>J. R. Kelley #102 dgt</i>
--	--	--

NARRATIVE REPORT VENTURA COUNTY SHERIFF'S DEPARTMENT

Page 6 of 6 Continuation

AGENCY IDENTIFIER CA0560000

1 R.D. 8045	2 BEAT 8D01	3 RB NUMBER 01-93933
----------------	----------------	-------------------------

4 CODE	5 ITEM	6 QTY.	7 ITEM NAME	8 BRAND / MAKE MANUFACTURER	9 MODEL NAME OR NUMBER	10 MISC. DESCRIPTION	11 IDENTIFICATION / SERIAL NUMBER	12 VALUE
--------	--------	--------	-------------	-----------------------------	------------------------	----------------------	-----------------------------------	----------

REYES SAID WHEN THE CAR TOOK OFF WESTBOUND THROUGH THE LOT, THE DRIVER "WAS NOT CAREFUL AND WAS TRYING TO "GET OUT OF HERE HOWEVER HE COULD". REYES SAID HE DID NOT HEAR THE CAR MAKE ANY NOISE AS IT TOOK OFF WESTBOUND THROUGH THE LOT.

REYES SAID THE CAR CONTINUED WEST THROUGH THE LOT WITH HIM RUNNING AFTER IT. REYES SAID HE SAW DETECTIVE LAUBACHER'S TRUCK PULL IN FRONT OF THE SUSPECTS VEHICLE IN AN ATTEMPT TO KEEP THE SUSPECT'S VEHICLE FROM FLEEING. REYES SAID HE THEN SAW THE SUSPECT'S VEHICLE RAM LAUBACHER'S TRUCK. REYES SAID WHEN HE WAS RUNNING AFTER THE SUSPECTS VEHICLE, THE VEHICLE WAS ACCELERATING AND WAS ACCELERATING WHEN IT STRUCK LAUBACHER'S TRUCK.

REYES SAID AFTER STRIKING LAUBACHER'S TRUCK THE SUSPECT VEHICLE CONTINUED WESTBOUND THROUGH THE PARKING LOT. I ASKED REYES IF HE SAW DETECTIVE ROMERO AT THAT TIME AND HE SAID HE DID NOT. REYES SAID AS HE CONTINUED TO CHASE THE CAR ON FOOT HE SAW A PATROL CAR RAM THE SUSPECT'S CAR BRINGING IT TO A STOP. REYES SAID THE PATROL DEPUTIES THEN TOOK THE SUSPECT'S INTO CUSTODY. REYES SAID THAT FROM THE TIME THE "BUST" SIGNAL WAS GIVEN IT TOOK ABOUT "TWO OR THREE MINUTES, LESS THAN FIVE" TO GET THE VEHICLE STOPPED. REYES SAID THINGS WERE HAPPENING VERY FAST.

13 DATE / TIME OF REPORT 10/23/01/ 11:36 PM	14 REPORTING OFFICER / ID NO / DIV / UNIT J. PANZA / 1204 / MC / Homicide	15 APPROVED BY / ID NO <i>J.R. Kelley #1822 Sgt</i>
--	--	--

NARRATIVE REPORT VENTURA COUNTY SHERIFF'S DEPARTMENT

Page 1 of 5 Continuation

AGENCY IDENTIFIER CA0560000

1 R.D. 8045	2 BEAT 8D01	3 RB NUMBER 01-93993
----------------	----------------	-------------------------

4 CODE	5 ITEM	6 QTY.	7 ITEM NAME	8 BRAND / MAKE MANUFACTURER	9 MODEL NAME OR NUMBER	10 MISC. DESCRIPTION	11 IDENTIFICATION / SERIAL NUMBER	12 VALUE
--------	--------	--------	-------------	-----------------------------	------------------------	----------------------	-----------------------------------	----------

- Supplemental Case Cleared
 Gang Domestic Hate Child Abuse Elderly Abuse

Connecting Report Numbers:

Code Section / Description:

Code Section / Description:

Reclassify to:

Code: V-1 Name: REYES/NELSON

INTERVIEW OF DETECTIVE LATTIN

ON 10-22-01, AT APPROXIMATELY 8:00 PM I INTERVIEWED DETECTIVE BILL LATTIN OF THE VENTURA COUNTY SHERIFF'S DEPARTMENT CONCERNING THE "BUY/BUST" OPERATION THAT TOOK PLACE IN THE PARKING LOT OF "DEL TACO" IN THE CITY OF CAMARILLO. DETECTIVE LATTIN IS ASSIGNED TO THE VENTURA COUNTY NARCOTICS TASK FORCE. A "WALK THROUGH" OF THE SCENE WAS ALSO CONDUCTED WITH DETECTIVE LATTIN.

IN ESSENCE DETECTIVE LATTIN TOLD ME HE WAS ASSIGNED TO THE "BUST" TEAM" WHICH WAS TO ARREST THE SUSPECT [S] IN THIS CASE WHEN THE "BUST" SIGNAL WAS GIVEN BY THE UNDERCOVER OFFICER, [DETECTIVE CAPUANO]. LATTIN SAID THE OTHER MEMBERS OF THE BUST TEAM WERE DETECTIVE'S ROMERO AND REYES.

LATTIN TOLD ME CAPUANO'S TRUCK WAS PARKED IN THE "DEL TACO" PARKING LOT FACING NORTH, AND THE BUST VAN WAS POSITIONED WEST OF DETECTIVE CAPUANO'S TRUCK WAS PARKED. LATTIN SAID HE COULD SEE CAPUANO'S VEHICLE FROM WHERE THEY WERE POSITIONED.

13 DATE / TIME OF REPORT 10/25/01/ 1:27 PM	14 REPORTING OFFICER / ID NO / DIV / UNIT J. PANZA / 1204 / MC / Homicide	15 APPROVED BY / ID NO <i>J. R. Kelley #500</i>
---	--	--

NARRATIVE REPORT VENTURA COUNTY SHERIFF'S DEPARTMENT

Page 2 of 5 Continuation

AGENCY IDENTIFIER CA0560000

1 R.D. 8045	2 BEAT 8D01	3 RB NUMBER 01-93993
----------------	----------------	-------------------------

4 CODE	5 ITEM	6 QTY.	7 ITEM NAME	8 BRAND / MAKE MANUFACTURER	9 MODEL NAME OR NUMBER	10 MISC. DESCRIPTION	11 IDENTIFICATION / SERIAL NUMBER	12 VALUE
--------	--------	--------	-------------	-----------------------------	------------------------	----------------------	-----------------------------------	----------

LATTIN SAID HE SAW THE SUSPECT'S VEHICLE ENTER THE "DEL TACO" LOT AFTER TURNING OFF OF LAS POSAS ROAD. LATTIN SAID AFTER ENTERING THE LOT THE SUSPECT'S VEHICLE BACKED INTO THE PARKING SPACE NEXT TO CAPUANO'S TRUCK. LATTIN SAID THE SUSPECT'S VEHICLE WAS NOW FACING SOUTH.

LATTIN SAID THEY HEARD CAPUANO GIVE THE "BUST" SIGNAL AT WHICH TIME THEY DROVE TO THE AREA OF THE SUSPECT'S AND CAPUANO'S VEHICLES AND STOPPED BEHIND CAPUANO'S TRUCK. LATTIN SAID REYES WAS DRIVING THE "BUST" VAN AND HE AND DETECTIVE ROMERO WERE IN THE REAR PASSENGER COMPARTMENT.

LATTIN SAID ALL OF THEM WERE WEARING "RAID VESTS" THAT EITHER HAD THE WORDS "POLICE" OR "SHERIFF" EMBLAZONED ON THE FRONT AND BACK. LATTIN SAID HE ADDITIONALLY HAD ON A HELMET THAT HAD THE WORD "SHERIFF" ON THE FRONT OF IT, AND HE WAS WEARING HIS DEPARTMENT ISSUED BELT AND HOLSTER.

LATTIN SAID WHEN THEY GOT OUT OF THE VAN THEY HAD THEIR WEAPON'S DRAWN. LATTIN SAID HE WENT TO THE PASSENGER SIDE OF THE SUSPECT'S CAR. LATTIN SAID HE MADE EYE CONTACT WITH THE DRIVER AND HE COULD SEE THAT THE PASSENGER WAS IN THE BACK SEAT OF THE CAR. LATTIN SAID HE HAD HIS WEAPON POINTED AT THE DRIVER AND HE IDENTIFIED HIMSELF BY SAYING "SHERIFF'S DEPARTMENT", AND TOLD THE DRIVER SEVERAL TIMES TO GET OUT OF THE CAR. LATTIN SAID HE SAW THAT THE PASSENGER SIDE WINDOW WAS DOWN ON THE SUSPECTS VEHICLE.

LATTIN SAID AFTER GIVING THE DRIVER ORDERS TO GET OUT OF THE CAR THE DRIVER JUST LOOKED AT HIM, WENT FOR THE IGNITION KEY, AND TURNED THE VEHICLE ON. LATTIN SAID THE DRIVER THEN DROVE AWAY EASTBOUND THROUGH THE LOT TOWARDS "DEL TACO". LATTIN SAID HE DID NOT KNOW WHERE REYES AND ROMERO WERE AT THIS TIME BECAUSE HE WAS FOCUSED ON THE DRIVER. LATTIN

13 DATE / TIME OF REPORT 10/25/01/ 1:27 PM	14 REPORTING OFFICER / ID NO / DIV / UNIT J. PANZA / 1204 / MC / Homicide	15 APPROVED BY / ID NO <i>J.R. Keller #1832</i>
---	--	--

NARRATIVE REPORT VENTURA COUNTY SHERIFF'S DEPARTMENT

Page 3 of 5 Continuation

AGENCY IDENTIFIER CA0560000

1 R.D. 8045	2 BEAT 8D01	3 RB NUMBER 01-93993
----------------	----------------	-------------------------

4 CODE	5 ITEM	6 QTY.	7 ITEM NAME	8 BRAND / MAKE MANUFACTURER	9 MODEL NAME OR NUMBER	10 MISC. DESCRIPTION	11 IDENTIFICATION / SERIAL NUMBER	12 VALUE
--------	--------	--------	-------------	-----------------------------	------------------------	----------------------	-----------------------------------	----------

SAID HE DID NOT REMEMBER ANYONE SHOUTING ANYTHING AT THE SUSPECT AFTER HE DROVE OFF. WHEN THE SUSPECT'S CAR DROVE AWAY, LATTIN DESCRIBED IT SAYING "HE TOOK OFF AND HE ACCELERATED, FAST".

LATTIN SAID THE CAR THEN TURNED LEFT, [NORTH] THROUGH THE LOT AND DROVE INTO THE EXIT OF THE DRIVE THROUGH LANE OF "DEL TACO". LATTIN SAID AT THAT TIME REYES WAS NOW ABOUT FORTY FEET IN FRONT OF HIM. LATTIN SAID ROMERO WAS ABOUT THIRTY TO FORTY FEET WEST OF HIM. LATTIN SAID REYES WAS NOW MOVING TOWARDS THE REAR SUSPECT'S VEHICLE WHICH WAS STILL IN THE DRIVE THROUGH EXIT.

LATTIN SAID REYES TURNED TO HIM AND YELLED SOMETHING TO HIM. LATTIN SAID HE DID NOT HEAR WHAT REYES SAID BECAUSE LATTIN WAS NOW FOCUSED ON THE SUSPECT'S CAR, WHICH WAS NOW BACKING OUT OF THE DRIVE THROUGH EXIT TOWARDS REYES. LATTIN SAID HIS CONCERN NOW WAS GETTING REYES OUT OF THE WAY OF THE SUSPECT'S CAR AND HE YELLED AT REYES TO GET OUT OF THE WAY BECAUSE THE CAR WAS BACKING TOWARDS HIM.

LATTIN SAID THE SUSPECT VEHICLE WAS MOVING FAST WHEN MAKING THE TURNS IN AND OUT OF THE DRIVE THROUGH EXIT. LATTIN COULD ONLY DESCRIBE THE SPEED OF THE SUSPECT'S CAR AS "FAST FOR PARKING LOT CONDITIONS". LATTIN SAID WHEN THE SUSPECT'S CAR BACKED TOWARDS REYES HE ESTIMATED THE CAR'S SPEED TO BE ABOUT FIVE MILES PER HOUR. LATTIN SAID THE SUSPECT'S CAR CAME WITH-IN FIFTEEN FEET OF REYES WHEN IT WAS BACKING. LATTIN SAID IF REYES HADN'T MOVED OUT OF THE WAY THE SUSPECT'S CAR WOULD HAVE HIT HIM.

LATTIN SAID THE SUSPECT'S CAR WAS COMING DIRECTLY BACK TOWARDS REYES, AND THE ONLY REASON HE DID NOT TAKE A SHOT AT THE SUSPECT'S CAR WAS BECAUSE REYES WAS IN HIS LINE OF FIRE AND IT WAS NOT A CLEAR SHOT.

13 DATE / TIME OF REPORT 10/25/01/ 1:27 PM	14 REPORTING OFFICER / ID NO / DIV / UNIT J. PANZA / 1204 / MC / Homicide	15 APPROVED BY / ID NO <i>D. R. Kelley #1833</i>
---	--	---

NARRATIVE REPORT VENTURA COUNTY SHERIFF'S DEPARTMENT

Page 4 of 5 Continuation

AGENCY IDENTIFIER CA0560000

1 R.D. 8045	2 BEAT 8D01	3 RB NUMBER 01-93993
----------------	----------------	-------------------------

4 CODE	5 ITEM	6 QTY.	7 ITEM NAME	8 BRAND / MAKE MANUFACTURER	9 MODEL NAME OR NUMBER	10 MISC. DESCRIPTION	11 IDENTIFICATION / SERIAL NUMBER	12 VALUE
--------	--------	--------	-------------	-----------------------------	------------------------	----------------------	-----------------------------------	----------

LATTIN SAID REYES STEPPED OUT OF THE WAY OF THE CAR AND THE CAR DID "LIKE A THREE POINT TURN" AND WAS NOW FACING WEST IN THE PARKING LOT. LATTIN SAID THE SUSPECT VEHICLE THEN TOOK OFF. LATTIN SAID IT'S A LITTLE JUMBLED HERE AS WHEN THE SHOTS WERE FIRED BUT THE SUSPECT'S CAR HIT THE SILVER PICK-UP TRUCK THAT WAS PARKED JUST SOUTH OF THE "PIER ONE IMPORTS STORE. LATTIN SAID ALTHOUGH HE WAS CLOSE BY, HE DID NOT RECALL THE PICK-UP TRUCK BEING HIT AT THE TIME OF THE INCIDENT.

LATTIN SAID HE DID NOT KNOW WHERE REYES WAS AT THIS TIME, BUT HE HEARD THE SHOTS FROM THE [REYES] .223. LATTIN SAID THE SUSPECT'S CAR THEN DROVE OFF WESTBOUND THROUGH THE LOT. LATTIN SAID AS THE SUSPECT'S CAR DROVE PAST HIM, HE SAW THE DRIVER DUCKING DOWN IN THE CAR AND THE GLASS FROM THE WINDSHIELD EXPLODING.

LATTIN SAID THE CAR CONTINUED WESTBOUND THROUGH THE LOT. LATTIN SAID HE SAW DETECTIVE ROMERO STANDING WEST OF HIM NEXT TO A BLACK PICK-UP TRUCK. LATTIN SAID HE THEN SAW ROMERO GO DOWN. LATTIN SAID HE AT FIRST THOUGHT ROMERO HAD BEEN STRUCK BY SOME OF THE ROUNDS BEING SHOT. LATTIN SAID HE ALSO HEARD SEVERAL OTHER SHOTS BESIDES THE .223 ROUNDS AS THE SUSPECTS CAR WAS GOING WESTBOUND THROUGH THE LOT.

LATTIN SAID THE SUSPECT'S CAR CONTINUED WESTBOUND THROUGH THE LOT WHERE IT COLLIDED WITH DETECTIVE LAUBACHER'S TRUCK. LATTIN SAID THE SUSPECT'S CAR CONTINUED WESTBOUND AFTER THIS COLLISION. LATTIN SAID HE THEN SAW THE SUSPECT'S CAR STOP WEST OF HIM. LATTIN SAID HE DID NOT SEE WHAT TRANSPIRED WITH THE SUSPECT'S OR THEIR CAR AFTER THAT BECAUSE HE WAS ENGAGED IN HELPING DETECTIVE ROMERO.

13 DATE / TIME OF REPORT 10/25/01/ 1:27 PM	14 REPORTING OFFICER / ID NO / DIV / UNIT J. PANZA / 1204 / MC / Homicide	15 APPROVED BY / ID NO <i>A.R. Kelley #882 Af</i>
---	--	--

NARRATIVE REPORT VENTURA COUNTY SHERIFF'S DEPARTMENT

Page 5 of 5 Continuation

AGENCY IDENTIFIER CA0560000

1 R.D. 8045	2 BEAT 8D01	3 RB NUMBER 01-93993
----------------	----------------	-------------------------

4 CODE	5 ITEM	6 QTY.	7 ITEM NAME	8 BRAND / MAKE MANUFACTURER	9 MODEL NAME OR NUMBER	10 MISC. DESCRIPTION	11 IDENTIFICATION / SERIAL NUMBER	12 VALUE
--------	--------	--------	-------------	-----------------------------	------------------------	----------------------	-----------------------------------	----------

LATTIN SAID FROM THE TIME THE BUST SIGNAL WAS GIVEN UNTIL THE SUSPECT'S VEHICLE STOPPED TOOK NO MORE THAN THIRTY OR FORTY SECONDS.

13 DATE / TIME OF REPORT 10/25/01/ 1:27 PM	14 REPORTING OFFICER / ID NO / DIV / UNIT J. PANZA / 1204 / MC / Homicide	15 APPROVED BY / ID NO <i>D. R. Kelly #892</i>
---	--	---

NARRATIVE REPORT VENTURA COUNTY SHERIFF'S DEPARTMENT

Page 1 of 6 Continuation

AGENCY IDENTIFIER CA0560000

1 R.D. 8045	2 BEAT 8D01	3 RB NUMBER 01-93933
----------------	----------------	-------------------------

4 CODE	5 ITEM	6 QTY.	7 ITEM NAME	8 BRAND / MAKE MANUFACTURER	9 MODEL NAME OR NUMBER	10 MISC. DESCRIPTION	11 IDENTIFICATION / SERIAL NUMBER	12 VALUE
--------	--------	--------	-------------	-----------------------------	------------------------	----------------------	-----------------------------------	----------

- Supplemental Case Cleared
 Gang Domestic Hate Child Abuse Elderly Abuse

Connecting Report Numbers:

Code Section / Description:

Code Section / Description:

Reclassify to:

Code: V-1 Name: REYES/NELSON/ROMERO

INTERVIEW OF DETECTIVE ROMERO

ON 10-22-01, AT APPROXIMATELY 9:45 PM I INTERVIEWED DETECTIVE RAY ROMERO OF THE VENTURA POLICE DEPARTMENT CONCERNING THE "BUY/BUST" OPERATION THAT TOOK PLACE IN THE PARKING LOT OF "DEL TACO", IN THE CITY OF CAMARILLO. DETECTIVE ROMERO IS ASSIGNED TO THE VENTURA COUNTY NARCOTIC'S TASK FORCE. A "WALK THROUGH" OF THE SCENE WAS ALSO CONDUCTED WITH DETECTIVE ROMERO.

IN ESSENCE DETECTIVE ROMERO TOLD ME THAT HE WAS ASSIGNED TO THE "BUST TEAM" WHICH WAS TO ARREST THE SUSPECT [S] IN THIS CASE WHEN THE "BUST" SIGNAL WAS GIVEN BY THE UNDERCOVER OFFICER, [DETECTIVE CAPUANO]. ROMERO SAID OTHER MEMBERS OF THE TEAM WERE DETECTIVE'S REYES AND LATTIN.

ROMERO SAID THEY WERE ALL INSIDE THE GREEN VAN THAT WAS USED AS THE "BUST" VEHICLE. ROMERO SAID THAT DETECTIVE REYES WAS DRIVING THE VAN AND HE AND DETECTIVE LATTIN WERE IN THE REAR PASSENGER COMPARTMENT. ROMERO SAID THE VAN WAS POSITIONED IN THE WESTERN PART OF THE "DEL

13 DATE / TIME OF REPORT
10/24/01 / 10:10 AM

14 REPORTING OFFICER / ID NO / DIV / UNIT
J. PANZA / 1204 / MC / Homicide

15 APPROVED BY / ID NO
W. Hammer #1370, SGT.

NARRATIVE REPORT VENTURA COUNTY SHERIFF'S DEPARTMENT

Page 2 of 6 Continuation

AGENCY IDENTIFIER CA0560000

1 R.D. 8045	2 BEAT 8D01	3 RB NUMBER 01-93933
----------------	----------------	-------------------------

4 CODE	5 ITEM	6 QTY.	7 ITEM NAME	8 BRAND / MAKE MANUFACTURER	9 MODEL NAME OR NUMBER	10 MISC. DESCRIPTION	11 IDENTIFICATION / SERIAL NUMBER	12 VALUE
--------	--------	--------	-------------	-----------------------------	------------------------	----------------------	-----------------------------------	----------

TACO" PARKING LOT. ROMERO SAID HE HAD A PARTIAL VIEW OF DETECTIVE CAPUANO'S TRUCK WHICH WAS PARKED EAST OF THEM AND FACING NORTH IN THE "DEL TACO" LOT.

ROMERO SAID HE COULD HEAR OVER THE UNIT RADIO IN THE 'BUST" VAN THAT THE SUSPECT'S WERE BEING SURVEILLED TO THE MEET LOCATION BY OTHER MEMBERS OF THE TASK FORCE. ROMERO SAID HE HEARD WHEN THE SUSPECT'S VEHICLE EXITED THE FREEWAY AT LAS POSAS ROAD AND SAW THE SUSPECT'S VEHICLE AS IT CAME INTO THE "DEL TACO" PARKING LOT FROM LAS POSAS ROAD.

ROMERO SAID THE SUSPECT'S VEHICLE PARKED NEXT TO CAPUANO'S TRUCK. ROMERO SAID THE SUSPECT'S VEHICLE HAD BACKED INTO THE SPACE NEXT TO CAPUANO'S TRUCK AND WAS FACING SOUTH.

ROMERO SAID ONCE THE SUSPECT'S VEHICLE WAS PARKED HE COULD HEAR MUFFLED CONVERSATION BETWEEN THE SUSPECT'S AND CAPUANO OVER THE WIRELESS TRANSMITTER. ROMERO SAID AFTER A SHORT PERIOD OF TIME HE HEARD CAPUANO GIVE THE "BUST" SIGNAL.

ROMERO SAID THAT AFTER THE "BUST" SIGNAL WAS GIVEN THE BUST TEAM DROVE EAST THROUGH THE "DEL TACO" LOT TOWARDS CAPUANO'S TRUCK AND THE SUSPECT'S VEHICLE. ROMERO SAID THEY STOPPED THEIR VEHICLE IN FRONT OF CAPUANO'S TRUCK JUST OUT OF SIGHT OF THE SUSPECT VEHICLE. ROMERO SAID THEY ALL GOT OUT OF THE VAN WITH THEIR GUNS DRAWN. ROMERO SAID HE AND LATTIN HAD THEIR HANDGUNS AND REYES HAD WHAT HE THOUGHT WAS AN "MP-5". ROMERO SAID THAT HE WAS WEARING A "RAID VEST" WITH A BADGE AND THE WORD "POLICE" EMBLAZONED ACROSS THE FRONT AND BACK OF THE VEST. ROMERO SAID THE SUSPECT'S VEHICLE WAS RUNNING AT THE TIME THEY DROVE UP.

13 DATE / TIME OF REPORT 10/24/01 / 10:10 AM	14 REPORTING OFFICER / ID NO / DIV / UNIT J. PANZA / 1204 / MC / Homicide	15 APPROVED BY / ID NO <i>W. Hammer</i> #1370, SGT.
---	--	--

NARRATIVE REPORT VENTURA COUNTY SHERIFF'S DEPARTMENT

Page 3 of 6 Continuation

AGENCY IDENTIFIER CA0560000

1 R.D. 8045	2 BEAT 8D01	3 RB NUMBER 01-93933
----------------	----------------	-------------------------

4 CODE	5 ITEM	6 QTY.	7 ITEM NAME	8 BRAND / MAKE MANUFACTURER	9 MODEL NAME OR NUMBER	10 MISC. DESCRIPTION	11 IDENTIFICATION / SERIAL NUMBER	12 VALUE
--------	--------	--------	-------------	-----------------------------	------------------------	----------------------	-----------------------------------	----------

ROMERO SAID THEY SURROUNDED THE FRONT OF THE SUSPECT'S VEHICLE WITH REYES IN FRONT OF THE CAR AND LATTIN TO THE RIGHT OF REYES. ROMERO SAID HE WAS TO THE LEFT OF REYES. ROMERO SAID THEY WERE YELLING AT THE SUSPECT'S "POLICE, SHERIFF'S, PUT YOUR HANDS UP". ROMERO SAID THE PASSENGER SIDE DOOR AND WINDOW OF THE SUSPECT'S CAR WAS OPEN WHEN THEY WERE SHOUTING AT THE SUSPECT'S.

ROMERO SAID AS THEY WERE IDENTIFYING THEMSELVES AND TELLING THE SUSPECT'S TO PUT THEIR HANDS UP HE COULD SEE THE DRIVER OF THE VEHICLE'S FACE. ROMERO SAID HE COULD SEE THE DRIVER WAS "NOT GOING TO STOP" AND SAW THAT THE DRIVER WAS PUTTING THE VEHICLE INTO GEAR. ROMERO SAID HE SAW THE DRIVER'S "EYES LIGHT UP REALLY BIG" AND "I COULD SEE HE WAS GOING TO TAKE OFF, AND HE GUNS THE ENGINE". ROMERO SAID AT THE SAME TIME THE DRIVER WAS REACHING FOR THE [PASSENGER] DOOR OF HIS CAR.

ROMERO SAID HE RAN UP TO THE PASSENGER DOOR OF THE SUSPECT'S VEHICLE AND THE DRIVER CLOSED IT. ROMERO SAID HE TOLD THE DRIVER OF THE CAR "DON'T DO IT" BUT THE DRIVER "JUST TAKES OFF AND PEELS OUT".

I ASKED ROMERO IF LATTIN OR REYES HAD TO MOVE OUT OF THE WAY WHEN THE SUSPECT'S CAR BEGAN TO LEAVE. ROMERO SAID WHEN THE SUSPECT'S CAR TOOK OFF, HE HAD LOST SIGHT OF REYES BUT LATTIN HAD TO MOVE OUT OF THE WAY WHEN THE SUSPECT'S CAR TOOK OFF. ROMERO SAID AT THAT POINT LATTIN WAS TOWARDS THE DRIVER'S SIDE OF THE SUSPECT'S CAR.

ROMERO SAID THE SUSPECT'S VEHICLE TURNED LEFT, [EAST] AND DROVE TOWARDS "DEL TACO". ROMERO SAID THE VEHICLE THEN TURNED LEFT, [NORTH] TOWARDS "PIER ONE IMPORTS" AND THEN ENTERED THE EXIT OF THE "DEL TACO" DRIVE THROUGH LANE. ROMERO SAID REYES WAS RUNNING AFTER THE VEHICLE ON FOOT.

13 DATE / TIME OF REPORT 10/24/01 / 10:10 AM	14 REPORTING OFFICER / ID NO / DIV / UNIT J. PANZA / 1204 / MC / Homicide	15 APPROVED BY / ID NO <i>W. Hammer</i> #1370 <i>SGT.</i>
---	--	---

NARRATIVE REPORT VENTURA COUNTY SHERIFF'S DEPARTMENT

Page 4 of 6 Continuation

AGENCY IDENTIFIER CA0560000

1 R.D. 8045	2 BEAT 8D01	3 RB NUMBER 01-93933
----------------	----------------	-------------------------

4 CODE	5 ITEM	6 QTY.	7 ITEM NAME	8 BRAND / MAKE MANUFACTURER	9 MODEL NAME OR NUMBER	10 MISC. DESCRIPTION	11 IDENTIFICATION / SERIAL NUMBER	12 VALUE
--------	--------	--------	-------------	-----------------------------	------------------------	----------------------	-----------------------------------	----------

ROMERO SAID HE RAN TOWARDS THE FRONT OF CAPUANO'S CAR AND STOOD NEAR THE FRONT OF A BLACK PICK-UP TRUCK PARKED NEXT TO CAPUANO'S CAR. ROMERO SAID CAPUANO WAS NEAR HIM AND REYES WAS STILL RUNNING AFTER THE SUSPECT'S CAR. ROMERO SAID HE DID NOT KNOW WHERE LATTIN WAS AT THAT POINT.

ROMERO SAID THAT WHILE HE WAS STANDING NEAR THE BLACK PICK-UP HE SAW REYES STANDING NEAR THE PARKING STALLS IN THE NORTH PART OF THE "DEL TACO" LOT. THE STALLS ARE LOCATED JUST SOUTH OF THE "PIER ONE IMPORTS" STORE AND JUST WEST OF THE "DEL TACO" DRIVE THROUGH EXIT. ROMERO SAID REYES WAS ON THE DRIVERS SIDE OF THE SUSPECT'S VEHICLE, WHICH WAS NOW IN THE "DEL TACO" DRIVE THROUGH EXIT. ROMERO SAID REYES WAS SHOUTING AT THE DRIVER TO "STOP".

ROMERO SAID THE DRIVER PUT THE VEHICLE IN REVERSE AND "GUNS HIS TIRES" AND BACKS UP. ROMERO SAID AT THIS POINT THE SUSPECT'S VEHICLE IS TURNING INTO AND BACKING RIGHT TOWARDS REYES. ROMERO SAID REYES WAS NOW BACKING AWAY FROM THE SUSPECT'S CAR TOWARDS THE SILVER PICK-UP TRUCK THAT IS ALSO PARKED IN THE PARKING STALLS SOUTH OF "PIER ONE IMPORTS".

ROMERO SAID THAT WHILE REYES WAS BACKING AWAY FROM THE SUSPECT'S CAR, REYES WAS YELLING AT THE SUSPECT TO "FREEZE". ROMERO SAID IT WAS AT THIS TIME HE SAW REYES FIRE HIS WEAPON AT THE TIRES OF THE SUSPECT'S CAR. ROMERO SAID HE COULD SEE THAT THE DRIVER OF THE SUSPECT'S VEHICLE WAS NOT GOING TO STOP. ROMERO SAID THE ONLY SHOTS HE HEARD WERE REYES GUN SHOTS.

13 DATE / TIME OF REPORT 10/24/01 / 10:10 AM	14 REPORTING OFFICER / ID NO / DIV / UNIT J. PANZA / 1204 / MC / Homicide	15 APPROVED BY / ID NO <i>W. Hammer</i> #1370 ,SGT.
---	--	--

NARRATIVE REPORT VENTURA COUNTY SHERIFF'S DEPARTMENT

Page 5 of 6 Continuation

AGENCY IDENTIFIER CA0560000

1 R.D. 8045	2 BEAT 8D01	3 RB NUMBER 01-93933
----------------	----------------	-------------------------

4 CODE	5 ITEM	6 QTY.	7 ITEM NAME	8 BRAND / MAKE MANUFACTURER	9 MODEL NAME OR NUMBER	10 MISC. DESCRIPTION	11 IDENTIFICATION / SERIAL NUMBER	12 VALUE
--------	--------	--------	-------------	-----------------------------	------------------------	----------------------	-----------------------------------	----------

ROMERO SAID HE THEN SAW THE SUSPECT'S CAR HIT THE REAR OF THE SILVER PICK-UP TRUCK. ROMERO SAID THE SILVER PICK-UP WAS OCCUPIED WHEN THE SUSPECT'S CAR STRUCK IT. ROMERO SAID HE THOUGHT THE DRIVER OF THE TRUCK WAS GOING TO GET OUT OF HIS VEHICLE AND ROMERO SAID HE YELLED AT HIM TO STAY IN HIS TRUCK.

ROMERO SAID HE MOVED TO THE FRONT OF THE BLACK PICK-UP TRUCK, WHICH WAS LOCATED WEST OF WHERE THE SILVER PICK-UP TRUCK AND DETECTIVE REYES WERE. ROMERO SAID THE SUSPECT'S VEHICLE WAS NOW COMING STRAIGHT AT HIM. ROMERO SAID HE WAS YELLING AT THE SUSPECT TO STOP. ROMERO SAID HE REALIZED THAT EVEN IF HE SHOT THE DRIVER, THE CAR WAS STILL GOING TO HIT HIM. ROMERO SAID HE ALSO DID NOT SHOOT BECAUSE HE DID NOT FEEL COMFORTABLE TAKING A SHOT WITH REYES AND LATTIN EAST OF HIM.

ROMERO SAID HE THEN TURNED TO RUN AND "THE GUY STARTED COMING CLOSER". ROMERO SAID AS HE, [THE SUSPECT'S VEHICLE] CAME CLOSE TO HIM, ROMERO SAID HE DOVE OUT OF THE WAY AND LANDED ON HIS STOMACH. ROMERO SAID AS HE WAS DIVING OUT OF THE WAY THE SUSPECT'S VEHICLE STRUCK HIM IN HIS FOOT/LEG AREA.

ROMERO SAID AS HE WAS LYING ON THE GROUND HE COULD HEAR THE SUSPECT'S CAR STILL "PEELING". ROMERO SAID HE LOOKED UP AND SAW THE SUSPECT'S VEHICLE "VIOLENTLY" STRIKE A BLACK PICK-UP TRUCK, [LAUBACHER'S]. ROMERO SAID AT THE TIME HE THOUGHT THE TRUCK BELONGED TO A "CIVILIAN".

ROMERO SAID AFTER THE SUSPECT'S VEHICLE STRUCK THE FRONT END OF THE PICK-UP TRUCK IT BACKED UP AND WENT AROUND THE TRUCK AND CONTINUED WEST THROUGH THE "DEL TACO" LOT.

13 DATE / TIME OF REPORT 10/24/01 / 10:10 AM	14 REPORTING OFFICER / ID NO / DIV / UNIT J. PANZA / 1204 / MC / Homicide	15 APPROVED BY / ID NO W. Hammer #1370 / SGT.
---	--	--

NARRATIVE REPORT VENTURA COUNTY SHERIFF'S DEPARTMENT

Page 6 of 6 Continuation

AGENCY IDENTIFIER CA0560000

1 R.D. 8045	2 BEAT 8D01	3 RB NUMBER 01-93933
----------------	----------------	-------------------------

4 CODE	5 ITEM	6 QTY.	7 ITEM NAME	8 BRAND / MAKE MANUFACTURER	9 MODEL NAME OR NUMBER	10 MISC. DESCRIPTION	11 IDENTIFICATION / SERIAL NUMBER	12 VALUE
--------	--------	--------	-------------	-----------------------------	------------------------	----------------------	-----------------------------------	----------

ROMERO SAID HE THEN PUT HIS HEAD DOWN AND DID NOT SEE ANYTHING AFTER THIS. ROMERO SAID THE WHOLE INCIDENT TOOK ABOUT FIVE MINUTES.

ROMERO WAS TRANSPORTED BY AMBULANCE TO ST. JOHNS HOSPITAL IN OXNARD WHERE HE WAS TREATED AND RELEASED PRIOR TO RETURNING TO THE SCENE AND CONDUCTING THE "WALK THROUGH".

13 DATE / TIME OF REPORT
10/24/01 / 10:10 AM

14 REPORTING OFFICER / ID NO / DIV / UNIT
J. PANZA / 1204 / MC / Homicide

15 APPROVED BY / ID NO
W. Hammer #1370
SGT.

NARRATIVE REPORT VENTURA COUNTY SHERIFF'S DEPARTMENT

Page 1 of 5 Continuation

AGENCY IDENTIFIER CA0560000

1 R.D. 8045	2 BEAT 8D01	3 RB NUMBER 01-93933
----------------	----------------	-------------------------

4 CODE	5 ITEM	6 QTY.	7 ITEM NAME	8 BRAND / MAKE MANUFACTURER	9 MODEL NAME OR NUMBER	10 MISC. DESCRIPTION	11 IDENTIFICATION / SERIAL NUMBER	12 VALUE
--------	--------	--------	-------------	-----------------------------	------------------------	----------------------	-----------------------------------	----------

- Supplemental Case Cleared
 Gang Domestic Hate Child Abuse Elderly Abuse

Connecting Report Numbers:

Code Section / Description:

Code Section / Description:

Reclassify to:

Code: V-1 Name: REYES/NELSON

INTERVIEW OF DETECTIVE NELSON

ON 10-22-01, AT APPROXIMATELY 11:45 PM I INTERVIEWED DETECTIVE ERIC NELSON OF THE VENTURA COUNTY SHERIFF'S DEPARTMENT CONCERNING THE "BUY/BUST" OPERATION THAT TOOK PLACE IN THE PARKING LOT OF "DEL TACO", IN THE CITY OF CAMARILLO. DETECTIVE NELSON IS ASSIGNED TO THE VENTURA COUNTY NARCOTIC'S TASK FORCE. A WALK THROUGH OF THE SCENE WAS ALSO CONDUCTED WITH DETECTIVE NELSON.

IN ESSENCE DETECTIVE NELSON TOLD ME HE WAS ACTING AS PART OF A TWO MAN TEAM WITH HIS PARTNER DETECTIVE K. TOUGAS. THEIR ASSIGNMENT WAS TO "COVER", [PROTECT] THE UNDERCOVER OFFICER INVOLVED IN THE PURCHASE OF A LARGE QUANTITY OF NARCOTICS THAT WAS TO TAKE PLACE IN THE "DEL TACO" PARKING LOT. THE UNDERCOVER OFFICER WAS DETECTIVE S. CAPUANO.

NELSON TOLD ME HE AND DETECTIVE TOUGAS WERE MONITORING THE SURVEILLANCE OF THE SUSPECTS IN THIS CASE OVER THEIR RADIO AND KNEW WHEN THE SUSPECT'S WERE CLOSE TO ARRIVING AT THE "DEL TACO" PARKING LOT. NELSON SAID HE AND TOUGAS WERE IN A VAN IN THE "BOSTON MARKET" PARKING

13 DATE / TIME OF REPORT 10/24/01/ 12:02 AM	14 REPORTING OFFICER / ID NO / DIV / UNIT J. PANZA / 1204 / MC / Homicide	15 APPROVED BY / ID NO <i>V.R. Kelley</i>
--	--	--

NARRATIVE REPORT VENTURA COUNTY SHERIFF'S DEPARTMENT

Page 2 of 5 Continuation

AGENCY IDENTIFIER CA0560000

1 R.D. 8045	2 BEAT 8D01	3 RB NUMBER 01-93933
----------------	----------------	-------------------------

4 CODE	5 ITEM	6 QTY.	7 ITEM NAME	8 BRAND / MAKE MANUFACTURER	9 MODEL NAME OR NUMBER	10 MISC. DESCRIPTION	11 IDENTIFICATION / SERIAL NUMBER	12 VALUE
--------	--------	--------	-------------	-----------------------------	------------------------	----------------------	-----------------------------------	----------

LOT, WHICH IS LOCATED GENERALLY SOUTHWEST OF THE "DEL TACO" PARKING LOT. NELSON SAID THEY COULD SEE CAPUANO'S TRUCK PARKED FACING NORTH IN THE "DEL TACO" LOT.

NELSON SAID HE SAW THE SUSPECT VEHICLE ENTER THE "DEL TACO" PARKING LOT AFTER TURNING INTO THE SHOPPING COMPLEX FROM LAS POSAS ROAD. NELSON SAID THE SUSPECT VEHICLE BACKED INTO A PARKING SPACE NEXT TO CAPUANO'S TRUCK. NELSON SAID THE SUSPECT'S VEHICLE WAS FACING SOUTH.

NELSON SAID HE AND TOUGAS MONITORED THE CONVERSATION BETWEEN CAPUANO AND THE SUSPECT'S, [OVER THE WIRELESS TRANSMITTER ON DETECTIVE CAPUANO] AND AFTER A SHORT PERIOD OF TIME CAPUANO GAVE THE "BUST" SIGNAL. NELSON SAID AFTER CAPUANO GAVE THE "BUST" SIGNAL HE HEARD CAPUANO TELL THE SUSPECT'S HE HAD TO GO TO HIS TRUCK.

NELSON SAID HE HEARD DETECTIVE REYES REPEAT/RELAY THE "BUST" SIGNAL AT LEAST TWO MORE TIMES AND TELLING UNITS TO APPROACH THE ARREST LOCATION SLOWLY. NELSON SAID HE SAW THE ARREST TEAM VAN APPROACHING CAPUANO'S AND THE SUSPECT'S VEHICLES. NELSON SAID THE VAN WAS APPROACHING THROUGH THE PARKING LOT FROM THE WEST OF THE "DEL TACO" LOT WHERE CAPUANO'S AND THE SUSPECT'S VEHICLE WERE PARKED.

NELSON SAID HE AND TOUGAS GOT OUT OF THEIR VAN AND BEGAN TO "JOG" TO THE LOCATION OF THE ARREST IN ORDER TO COVER CAPUANO. NELSON SAID AS HE WAS RUNNING HE SAW THE SUSPECT VEHICLE "TEAR OUT OF ITS PARKING STALL". NELSON SAID HE COULD HEAR PEOPLE SHOUTING "SHERIFF'S DEPARTMENT". NELSON SAID HE HEARD OTHER SHOUTING BUT COULD NOT MAKE OUT WHAT WAS BEING SAID. NELSON SAID THE SUSPECT'S VEHICLE ACCELERATED QUICKLY AND HE HEARD THE TIRES OF THE VEHICLE "SQUEALING". NELSON SAID THE SUSPECT'S

13 DATE / TIME OF REPORT 10/24/01/ 12:02 AM	14 REPORTING OFFICER / ID NO / DIV / UNIT J. PANZA / 1204 / MC / Homicide	15 APPROVED BY / ID NO <i>J. R. Kelley #1882 Sgt</i>
--	--	---

NARRATIVE REPORT VENTURA COUNTY SHERIFF'S DEPARTMENT

Page 3 of 5 Continuation

AGENCY IDENTIFIER CA0560000

1 R.D. 8045	2 BEAT 8D01	3 RB NUMBER 01-93933
----------------	----------------	-------------------------

4 CODE	5 ITEM	6 QTY.	7 ITEM NAME	8 BRAND / MAKE MANUFACTURER	9 MODEL NAME OR NUMBER	10 MISC. DESCRIPTION	11 IDENTIFICATION / SERIAL NUMBER	12 VALUE
--------	--------	--------	-------------	-----------------------------	------------------------	----------------------	-----------------------------------	----------

VEHICLE DROVE FIRST SOUTH AND THEN EAST TOWARDS "DEL TACO" THROUGH THE PARKING LOT AND THEN HEADED INTO THE DRIVE THROUGH OF THE "DEL TACO".

NELSON SAID WHEN THE SUSPECT'S VEHICLE INITIALLY PULLED OUT OF ITS PARKING PLACE NEXT TO CAPUANOS' TRUCK HE DID NOT RECALL SEEING WHERE THE ARREST TEAM OFFICERS WERE POSITIONED AROUND THE SUSPECT'S CAR. HE ONLY SAW DETECTIVE REYES CHASE THE SUSPECT'S CAR FROM THAT LOCATION TO THE AREA NEAR THE "DEL TACO" DRIVE THROUGH.

NELSON SAID AT THIS POINT THE SUSPECT VEHICLE WAS FACE INTO THE EXIT OF THE "DEL TACO" DRIVE THROUGH. NELSON SAID HE SAW REVERSE LIGHTS ACTIVATE ON THE SUSPECT'S VEHICLE AND THE VEHICLE COME "FLYING" BACK TOWARDS DETECTIVE REYES, WHO WAS STILL BEHIND AND MOVING IN THE DIRECTION OF THE SUSPECT'S VEHICLE.

NELSON SAID HE WAS CONTINUING TO MOVE IN THE DIRECTION OF THE SUSPECT'S VEHICLE AND HE THOUGHT THE VEHICLE WAS GOING TO BACK INTO REYES. NELSON SAID REYES JUMPED OUT OF THE WAY OF THE SUSPECT'S CAR AS IT CAME "FLYING" OUT OF THE DRIVE THROUGH.

NELSON SAID THE SUSPECT'S VEHICLE THEN SLID INTO A PICK-UP TRUCK THAT WAS PARKED IN A SPACE ON THE SOUTH SIDE OF "PIER ONE IMPORTS". NELSON SAID IT WAS AT ABOUT THAT POINT HE SAW REYES SHOOTING AT THE REAR TIRE OF THE SUSPECT'S VEHICLE.

NELSON SAID THE SUSPECT'S VEHICLE WOUND UP FACING IN A GENERALLY SOUTHWESTERLY DIRECTION, AND WAS NOW FACING HIM. NELSON SAID THE SUSPECT'S VEHICLE THAN DROVE DIRECTLY AT HIM. NELSON SAID HE MADE EYE CONTACT WITH THE DRIVER AND DESCRIBED THE SUSPECT'S VEHICLE AS "COMING

13 DATE / TIME OF REPORT 10/24/01/ 12:02 AM	14 REPORTING OFFICER / ID NO / DIV / UNIT J. PANZA / 1204 / MC / Homicide	15 APPROVED BY / ID NO <i>J.R. Kelly #1892 Sgt</i>
--	--	---

NARRATIVE REPORT VENTURA COUNTY SHERIFF'S DEPARTMENT

Page 4 of 5 Continuation

AGENCY IDENTIFIER CA0560000

1 R.D. 8045	2 BEAT 8D01	3 RB NUMBER 01-93933
----------------	----------------	-------------------------

4 CODE	5 ITEM	6 QTY.	7 ITEM NAME	8 BRAND / MAKE MANUFACTURER	9 MODEL NAME OR NUMBER	10 MISC. DESCRIPTION	11 IDENTIFICATION / SERIAL NUMBER	12 VALUE
--------	--------	--------	-------------	-----------------------------	------------------------	----------------------	-----------------------------------	----------

FULL BORE" AT HIM, AND "PEELING OUT". NELSON SAID HE THOUGHT THE SUSPECT WAS 'GOING TO RUN ME OVER" AND TRY TO "GET OUT OF HERE AT WHATEVER COST". NELSON SAID AT THIS POINT, AS THE SUSPECT'S VEHICLE CAME TOWARDS HIM HE FIRED TWO SHOTS THROUGH THE WINDSHIELD OF THE CAR. NELSON SAID HE WAS AIMING AT THE DRIVER WHEN HE SHOT. NELSON SAID HE DOES NOT RECALL IF HIS SHOTS IMPACTED THE SUSPECT'S CAR.

NELSON SAID WHEN HE DID FIRE AT THE SUSPECT THE SUSPECT DUCKED AND "SCRUNCHED" DOWN IN THE SEAT. NELSON SAID HE DID NOT KNOW WHERE DETECTIVE TOUGAS WAS AT THAT TIME BUT THOUGHT HE WAS BEHIND HIM AND TO HIS LEFT.

NELSON SAID WHEN HE SHOT, THE SUSPECT'S VEHICLE WAS ACCELERATING AND COMING AT HIM FULL SPEED. NELSON SAID HE COULD HEAR THE ENGINE RACING AND THE TIRES SPINNING ON THE SUSPECT'S CAR.

NELSON SAID HE WAS WEARING A SHERIFF'S DEPARTMENT "RAID VEST" WITH A BADGE AND THE WORD "SHERIFF" EMBLAZONED ON THE FRONT OF IT. NELSON SAID HE ALSO HAD ON HIS SHERIFF'S DEPARTMENT DUTY BELT AND HOLSTER, WITH HIS BADGE ATTACHED TO IT.

NELSON SAID AFTER HE SHOT THE SUSPECT'S VEHICLE, THE VEHICLE CONTINUED WESTBOUND THROUGH THE PARKING LOT AND COLLIDED WITH A BLACK TRUCK. NELSON SAID HE LATER FOUND OUT THE TRUCK WAS DETECTIVE LAUBACHER'S.

NELSON SAID HE ALSO SAW DETECTIVE ROMERO WEST OF THE SUSPECT'S CAR. NELSON SAID HE SAW DETECTIVE ROMERO RUNNING AWAY FROM THE SUSPECT'S VEHICLE IN AN ATTEMPT TO GET OUT OF THE WAY AS THE CAR CAME AT ROMERO. NELSON ESTIMATED THE SUSPECT'S CAR TO BE GOING IN EXCESS OF THIRTY-MILES

13 DATE / TIME OF REPORT 10/24/01/ 12:02 AM	14 REPORTING OFFICER / ID NO / DIV / UNIT J. PANZA / 1204 / MC / Homicide	15 APPROVED BY / ID NO <i>A.R. Kelley #482 Acf</i>
--	--	---

NARRATIVE REPORT VENTURA COUNTY SHERIFF'S DEPARTMENT

Page 5 of 5 Continuation

AGENCY IDENTIFIER CA0560000

1 R.D. 8045	2 BEAT 8D01	3 RB NUMBER 01-93933
----------------	----------------	-------------------------

4 CODE	5 ITEM	6 QTY.	7 ITEM NAME	8 BRAND / MAKE MANUFACTURER	9 MODEL NAME OR NUMBER	10 MISC. DESCRIPTION	11 IDENTIFICATION / SERIAL NUMBER	12 VALUE
--------	--------	--------	-------------	-----------------------------	------------------------	----------------------	-----------------------------------	----------

PER HOUR. NELSON SAID THE SUSPECT'S VEHICLE WAS "HELL BENT TO GET OUT OF HERE" AND THAT HE WAS "CONVINCED HE, [THE DRIVER] WAS GOING TO GET OUT OF HERE AT WHATEVER COST".

NELSON SAID HE CONTINUED RUNNING WESTBOUND THROUGH THE PARKING LOT AND SAW THE SUSPECT VEHICLE STILL GOING IN A WESTERLY DIRECTION. NELSON SAID THE CAR HAD HEAVY FRONT END DAMAGE. NELSON SAID HE THEN SAW THE PATROL CAR STRIKE THE SUSPECT'S CAR DISABLING IT. NELSON SAID THE SUSPECTS WERE THEN TAKEN INTO CUSTODY.

NELSON SAID FROM THE TIME THE "BUST" SIGNAL WAS GIVEN UNTIL THE SUSPECT'S WERE TAKEN INTO CUSTODY WAS ABOUT ONE MINUTE. NELSON ADDED THAT HE FELT EVENTS IN THE PARKING LOTS WERE MOVING "VERY FAST".

13 DATE / TIME OF REPORT
10/24/01 / 12:02 AM

14 REPORTING OFFICER / ID NO / DIV / UNIT
J. PANZA / 1204 / MC / Homicide

15 APPROVED BY / ID NO
D. L. Valley #1802 Dept.

NARRATIVE REPORT VENTURA COUNTY SHERIFF'S DEPARTMENT

Page 1 of 5 Continuation

AGENCY IDENTIFIER CA0560000

1 R.D. 8045	2 BEAT 8D01	3 RB NUMBER 01-93933
----------------	----------------	-------------------------

4 CODE	5 ITEM	6 QTY.	7 ITEM NAME	8 BRAND / MAKE MANUFACTURER	9 MODEL NAME OR NUMBER	10 MISC. DESCRIPTION	11 IDENTIFICATION / SERIAL NUMBER	12 VALUE
--------	--------	--------	-------------	-----------------------------	------------------------	----------------------	-----------------------------------	----------

- Supplemental Case Cleared
 Gang Domestic Hate Child Abuse Elderly Abuse

Connecting Report Numbers:

Code Section / Description:

Code Section / Description:

Reclassify to:

Code: V-1 Name: REYES/NELSON

INTERVIEW OF DETECTIVE TOUGAS

ON 10-22-01, AT APPROXIMATELY 11:10 PM I INTERVIEWED DETECTIVE KEN TOUGAS OF THE OXNARD POLICE DEPARTMENT CONCERNING THE "BUY/BUST" OPERATION AND SHOOTING THAT TOOK PLACE IN THE PARKING LOT OF "DEL TACO" IN CAMARILLO. DETECTIVE TOUGAS IS A MEMBER OF THE VENTURA COUNTY NARCOTICS TASK FORCE. A "WALK THROUGH" OF THE SCENE WAS ALSO CONDUCTED WITH DETECTIVE TOUGAS.

IN ESSENCE DETECTIVE TOUGAS TOLD ME THE FOLLOWING: TOUGAS SAID HE WAS ACTING AS PART OF A TWO-MAN TEAM ASSIGNED TO "COVER" [PROTECT] THE UNDERCOVER OFFICER INVOLVED IN THE PURCHASE OF A LARGE QUANTITY OF NARCOTICS THAT WAS TO TAKE PLACE IN THE PARKING LOT OF "DEL TACO". THE UNDERCOVER OFFICER WAS DETECTIVE CAPUANO AND TOUGAS' PARTNER WAS DETECTIVE E. NELSON.

TOUGAS AND NELSON WERE ALSO RUNNING THE "WIRE", AND RECORDING THE NARCOTICS PURCHASE. TOUGAS TOLD ME HE HAD A VIDEO CAMERA SET UP AND RUNNING IN HIS VAN DURING THE OPERATION. TOUGAS SAID THE CAMERA WAS

13 DATE / TIME OF REPORT 10/23/01/ 11:31 PM	14 REPORTING OFFICER / ID NO / DIV / UNIT J. PANZA / 1204 / MC / Homicide	15 APPROVED BY / ID NO <i>D. Kelly</i>
--	--	---

NARRATIVE REPORT VENTURA COUNTY SHERIFF'S DEPARTMENT

Page 2 of 5 Continuation

AGENCY IDENTIFIER CA0560000

1 R.D. 8045	2 BEAT 8D01	3 RB NUMBER 01-93933
----------------	----------------	-------------------------

4 CODE	5 ITEM	6 QTY.	7 ITEM NAME	8 BRAND / MAKE MANUFACTURER	9 MODEL NAME OR NUMBER	10 MISC. DESCRIPTION	11 IDENTIFICATION / SERIAL NUMBER	12 VALUE
--------	--------	--------	-------------	-----------------------------	------------------------	----------------------	-----------------------------------	----------

FOCUSED ON CAPUANOS' TRUCK. TOUGAS SAID THAT HE AND NELSON WERE IN THE PASSENGER COMPARTMENT OF THEIR VAN THAT WAS PARKED IN THE PARKING LOT OF "BOSTON MARKET". BOSTON MARKET IS LOCATED GENERALLY SOUTHWEST OF THE LOCATION WHERE CAPUANOS' TRUCK WAS PARKED. TOUGAS SAID HE COULD SEE CAPUANOS' TRUCK FROM HIS LOCATION IN THE "BOSTON MARKET" LOT.

TOUGAS TOLD ME HE WAS MONITORING THE UNIT RADIO AND HEARD THE SURVEILLANCE TEAM AS THEY WERE FOLLOWING THE SUSPECT FROM THE LOS ANGELES AREA. TOUGAS SAID HE HEARD WHEN THE SUSPECT EXITED THE FREEWAY AT LAS POSAS ROAD.

TOUGAS SAID WHEN THE SUSPECT VEHICLE GOT OFF THE FREEWAY IT STOPPED AT ANOTHER LOCATION PRIOR TO ENTERING THE "DEL TACO" PARKING LOT. TOUGAS SAID HE WAS NOT SURE WHERE THIS OTHER LOCATION WAS BUT HE HEARD UNITS DESCRIBING THE SUSPECT AS MOVING A PACKAGE FROM THE TRUNK TO THE PASSENGER COMPARTMENT OF THE CAR.

TOUGAS SAID PRIOR TO THE NARCOTICS TRANSACTION TAKING PLACE HE WAS GIVEN A DESCRIPTION OF THE SUSPECT AND THE SUSPECTS VEHICLE. TOUGAS SAID SHORTLY AFTER THE ABOVE MENTIONED STOP AT THE OTHER LOCATION HE SAW THE SUSPECT'S VEHICLE AS IT CAME OFF LAS POSAS ROAD AND PULLED INTO THE PARKING LOT OF "DEL TACO".

TOUGAS SAID THE SUSPECT'S VEHICLE PULLED UP NEXT TO CAPUANO'S TRUCK AND PARKED. TOUGAS SAID CAPUANO'S TRUCK WAS PARKED FACING NORTH AND THE SUSPECT'S VEHICLE WAS PARKED FACING SOUTH. TOUGAS SAID HE THOUGHT THE SUSPECT'S VEHICLE BACKED IN NEXT TO CAPUANO'S TRUCK.

13 DATE / TIME OF REPORT 10/23/01 / 11:31 PM	14 REPORTING OFFICER / ID NO / DIV / UNIT J. PANZA / 1204 / MC / Homicide	15 APPROVED BY / ID NO <i>J.R. Kelley #822</i>
---	--	---

NARRATIVE REPORT VENTURA COUNTY SHERIFF'S DEPARTMENT

Page 3 of 5 Continuation

AGENCY IDENTIFIER CA0560000

1 R.D. 8045	2 BEAT 8D01	3 RB NUMBER 01-93933
----------------	----------------	-------------------------

4 CODE	5 ITEM	6 QTY.	7 ITEM NAME	8 BRAND / MAKE MANUFACTURER	9 MODEL NAME OR NUMBER	10 MISC. DESCRIPTION	11 IDENTIFICATION / SERIAL NUMBER	12 VALUE
--------	--------	--------	-------------	-----------------------------	------------------------	----------------------	-----------------------------------	----------

TOUGAS SAID HE AND NELSON MONITORED OVER THE RADIO WHAT WAS TAKING PLACE BETWEEN CAPUANO AND THE SUSPECT. TOUGAS SAID AFTER A SHORT TIME THE "BUST" SIGNAL WAS GIVEN. TOUGAS SAID HE AND NELSON EXITED THE VAN AT THIS POINT AND APPROACHED CAPUANO'S TRUCK ON FOOT IN ORDER TO ASSIST. TOUGAS SAID HE AND NELSON WERE RUNNING DURING THE APPROACH.

TOUGAS SAID HE WAS WEARING A "RAID VEST" WITH THE WORDS "POLICE" EMBLAZONED ACROSS THE FRONT AND BACK OF IT. TOUGAS SAID AS THEY APPROACHED, THE SUSPECT VEHICLE BEGAN TO DRIVE AWAY FROM THE SCENE. TOUGAS SAID HE COULD NOT HEAR ANYONE SHOUTING ANYTHING AT THE SUSPECT AS HE APPROACHED, NOR DID HE SHOUT ANYTHING AT THE SUSPECT. TOUGAS SAID WHILE STILL APPROACHING, THE SUSPECT'S VEHICLE DROVE EAST THROUGH THE "DEL TACO" LOT AND THEN TURNED NORTH TOWARDS THE BUILDINGS.

TOUGAS SAID AS HE CROSSED THE DRIVEWAY SEPARATING THE "DEL TACO" AND "BOSTON MARKET" PARKING LOTS HE ENCOUNTERED ANOTHER CAR ENTERING THE "DEL TACO" LOT. TOUGAS SAID HE CONTACTED THE DRIVER OF THIS CAR AND TOLD THEM TO LEAVE THE AREA.

TOUGAS SAID HE CONTINUED RUNNING TOWARDS WHERE CAPUANO'S TRUCK AND THE "BUST" VAN WAS STOPPED. TOUGAS SAID AS HE WAS APPROACHING HE HEARD AT LEAST ONE GUNSHOT FIRED. TOUGAS SAID HE THEN SAW THE SUSPECTS VEHICLE NEAR A SILVER PICK-UP TRUCK PARKED JUST SOUTH OF "PIER ONE IMPORTS", AND NEAR THE EXIT OF THE DRIVE THROUGH OF "DEL TACO".

TOUGAS SAID THAT THE SUSPECT'S CAR WAS STOPPED MOMENTARILY AT THAT LOCATION AND THEN STARTED COMING "TOWARDS US". TOUGAS SAID AT THE SAME TIME HE SAW DETECTIVE BLANCHARD IN HIS TRUCK APPROACHING THEIR LOCATION FROM THE NORTH. TOUGAS SAID BLANCHARD WAS COMING TO BLOCK THE EXIT

13 DATE / TIME OF REPORT 10/23/01/ 11:31 PM	14 REPORTING OFFICER / ID NO / DIV / UNIT J. PANZA / 1204 / MC / Homicide	15 APPROVED BY / ID NO <i>J.R. Kelley #1822 Sgt</i>
--	--	--

NARRATIVE REPORT VENTURA COUNTY SHERIFF'S DEPARTMENT

Page 4 of 5 Continuation

AGENCY IDENTIFIER CA0560000

1 R.D. 8045	2 BEAT 8D01	3 RB NUMBER 01-93933
----------------	----------------	-------------------------

4 CODE	5 ITEM	6 QTY.	7 ITEM NAME	8 BRAND / MAKE MANUFACTURER	9 MODEL NAME OR NUMBER	10 MISC. DESCRIPTION	11 IDENTIFICATION / SERIAL NUMBER	12 VALUE
--------	--------	--------	-------------	-----------------------------	------------------------	----------------------	-----------------------------------	----------

WEST OF THE SUSPECT VEHICLE IN ORDER TO STOP THE SUSPECT FROM LEAVING. TOUGAS SAID THE ARREST TEAM HAD ALSO GONE IN THE DIRECTION OF BLANCHARD'S TRUCK.

TOUGAS SAID THE SUSPECT'S VEHICLE DROVE WEST THROUGH THE LOT AND "ACCELERATED AT A HIGH RATE OF SPEED". TOUGAS SAID AS THE SUSPECTS VEHICLE HEADED TOWARDS THE EXIT, [WHERE BLANCHARD'S TRUCK AND THE ARREST TEAM WAS HEADED TO] HE FIRED ONE SHOT AT THE DRIVER OF THE VEHICLE. TOUGAS SAID THE SUSPECTS VEHICLE WAS HEADED WEST WHEN HE FIRED. TOUGAS SAID HE DID NOT SEE ANY OTHER OFFICERS IN HIS LINE OF FIRE WHEN HE SHOT. TOUGAS SAID THAT FROM THE ANGLE HE WAS AT WHEN HE FIRED HE KNEW THE SUSPECT WAS HEADING TOWARDS BLANCHARD AND THE ARREST TEAM.

TOUGAS SAID THAT HE DID SEE A MEMBER OF THE ARREST TEAM NEAR THE EXIT BLANCHARD WAS ATTEMPTING TO BLOCK AS THE SUSPECT VEHICLE HEADED WEST THROUGH THE LOT. TOUGAS SAID HE FOUND OUT LATER THAT THE ARREST TEAM MEMBER HE SAW WAS DETECTIVE ROMERO. TOUGAS SAID WHEN HE FIRED THE SHOT AT THE SUSPECT THE REASON HE DID SO WAS BECAUSE HE WANTED TO GET HIM STOPPED BEFORE HE HURT SOMEBODY, AND HE WAS CONCERNED ABOUT THE SAFETY OF DETECTIVES BLANCHARD AND ROMERO.

I ASKED TOUGAS IF HE WAS OUT OF BREATH FROM RUNNING TO THE "DEL TACO" LOT AND IF THINGS WERE HAPPENING VERY FAST. TOUGAS SAID HE WAS NOT OUT OF BREATH FROM RUNNING, BUT AGREED THAT THINGS WERE HAPPENING "VERY FAST". TOUGAS SAID HE ESTIMATED THE TIME FROM WHEN THE BUST SIGNAL WAS GIVEN UNTIL THE SUSPECTS WERE TAKEN INTO CUSTODY TO BE TWO - TWO AND ONE HALF MINUTES.

13 DATE / TIME OF REPORT
10/23/01/ 11:31 PM

14 REPORTING OFFICER / ID NO / DIV / UNIT
J. PANZA / 1204 / MC / Homicide

15 APPROVED BY / ID NO
J. L. Kelley #1832 Jgt

NARRATIVE REPORT VENTURA COUNTY SHERIFF'S DEPARTMENT

Page 5 of 5 Continuation

AGENCY IDENTIFIER CA0560000

1 R.D. 8045	2 BEAT 8D01	3 RB NUMBER 01-93933
----------------	----------------	-------------------------

4 CODE	5 ITEM	6 QTY.	7 ITEM NAME	8 BRAND / MAKE MANUFACTURER	9 MODEL NAME OR NUMBER	10 MISC. DESCRIPTION	11 IDENTIFICATION / SERIAL NUMBER	12 VALUE
--------	--------	--------	-------------	-----------------------------	------------------------	----------------------	-----------------------------------	----------

TOUGAS SAID AFTER HE FIRED THE SHOT AND SAW THE SUSPECT VEHICLE GET THROUGH THE PERIMETER HE RAN WESTBOUND THROUGH THE LOT TO ASSIST IN THE ARREST OF THE SUSPECTS. I ASKED TOUGAS IF HE SAW THE SUSPECT VEHICLE HIT DETECTIVE LAUBACHER'S TRUCK. TOUGAS SAID HE DID NOT SEE THE COLLISION BUT HEARD IT. TOUGAS SAID HE THEN SAW THE PATROL CAR STRIKE THE SUSPECTS VEHICLE AND DISABLE IT. TOUGAS SAID THE SUSPECTS WERE THEN TAKEN INTO CUSTODY.

13 DATE / TIME OF REPORT 10/23/01/ 11:31 PM	14 REPORTING OFFICER / ID NO / DIV / UNIT J. PANZA / 1204 / MC / Homicide	15 APPROVED BY / ID NO <i>J. R. Kelley #1832 Sgt</i>
--	--	---

NARRATIVE REPORT VENTURA COUNTY SHERIFF'S DEPARTMENT

Page 1 of 3 Continuation

AGENCY IDENTIFIER CA0560000

1 R.D. 8045	2 BEAT 8D01	3 RB NUMBER 01-93933
----------------	----------------	-------------------------

4 CODE	5 ITEM	6 QTY.	7 ITEM NAME	8 BRAND / MAKE MANUFACTURER	9 MODEL NAME OR NUMBER	10 MISC. DESCRIPTION	11 IDENTIFICATION / SERIAL NUMBER	12 VALUE
--------	--------	--------	-------------	-----------------------------	------------------------	----------------------	-----------------------------------	----------

- Supplemental Case Cleared
 Gang Domestic Hate Child Abuse Elderly Abuse

Connecting Report Numbers:

Code Section / Description: 245 © P.C. ADW on a Police Officer

Reclassify To:

Code: V-1 Name: Reyes, Ed

On October 22, 2001, I responded to an Officer involved shooting at the Del Taco Restaurant on Ventura Blvd in the City of Camarillo. During the course of the investigation, I was detailed to interview Oxnard Police Sergeant Steve Blanchard.

The following is a synopsis of that tape-recorded interview.

**Sergeant Steve Blanchard
Oxnard Police Department**

[REDACTED]
[REDACTED] pager

Sgt. Blanchard told me that he was the supervisor of the arrest team during the purchase of some narcotics from suspects who had traveled to Camarillo from the Long Beach area.

Sgt. Blanchard told me that he was parked in the north end of the parking lot near the Aaron Brothers Art store. Sgt. Blanchard said he was watching the undercover officer who was negotiating the drug sale.

Sgt. Blanchard said he heard the "bust signal" and saw the cover officer's approach from the north and saw the arrest team pull in next to the suspect vehicle in a van. Sgt. Blanchard said he was driving south through the parking lot very slowly.

13 DATE / TIME OF REPORT 10/24/01/ 7:59 AM	14 REPORTING OFFICER / ID NO / DIV / UNIT Det. S. Rhods/#1438/Special Services	15 APPROVED BY / ID NO <i>J.L. Kelley #802 Sgt</i>
---	---	---

NARRATIVE REPORT VENTURA COUNTY SHERIFF'S DEPARTMENT

Page 2 of 3 Continuation

AGENCY IDENTIFIER CA0560000

1 R.D. 8045	2 BEAT 8D01	3 RB NUMBER 01-93933
----------------	----------------	-------------------------

4 CODE	5 ITEM	6 QTY.	7 ITEM NAME	8 BRAND / MAKE MANUFACTURER	9 MODEL NAME OR NUMBER	10 MISC. DESCRIPTION	11 IDENTIFICATION / SERIAL NUMBER	12 VALUE
--------	--------	--------	-------------	-----------------------------	------------------------	----------------------	-----------------------------------	----------

Sgt. Blanchard said he didn't get to the intersection next to Pier One imports until the suspect vehicle sped away from the arrest team driving towards Del Taco. Sgt. Blanchard said when he got to the intersection and saw the suspect vehicle attempt to drive into the drive thru the wrong way.

Sgt. Blanchard said he saw the suspect vehicle back up and hit the gray Nissan truck. Sgt. Blanchard said when the suspect vehicle started to drive west towards his locations he heard the first gunshots. Sgt. Blanchard said he did not see who was shooting.

Sgt. Blanchard said the suspect vehicle was driving towards his position when he heard more gunfire coming from the south end of the parking lot. Sgt. Blanchard said he saw the suspect heading for Officer Romero who was standing near a black pickup truck. Sgt. Blanchard said he drove forward to cover Officer Romero who by this time had gone down.

Sgt. Blanchard said he heard the collision when the suspect vehicle collided with Deputy Laubacher. Sgt. Blanchard said he saw the suspect vehicle continue to the west end of the parking lot where he saw the patrol officer and detectives take the two suspects into custody at the west end of the parking lot.

Sgt. Blanchard told me that after the suspect vehicle collided with the gray Nissan it pulled out and started driving west through the parking lot. Sgt. Blanchard said he saw the driver leaning over into the passenger seat while driving the car.

Sgt. Blanchard said Romero was standing in the roadway in front of a parked pickup truck. Sgt. Blanchard said he didn't think he could block the suspect vehicle. Sgt. Blanchard said he then saw the suspect vehicle coming at Officer Romero and he saw Officer Romero fall to the ground. Sgt. Blanchard said he didn't know if Romero had been hit or had jumped.

13 DATE / TIME OF REPORT 10/24/01/ 7:59 AM	14 REPORTING OFFICER / ID NO / DIV / UNIT Det. S. Rhods/#1438/Special Services	15 APPROVED BY / ID NO <i>A.R. Kelley #188 Sgt.</i>
---	---	--

NARRATIVE REPORT VENTURA COUNTY SHERIFF'S DEPARTMENT

Page 3 of 3 Continuation

AGENCY IDENTIFIER CA0560000

1 R.D. 8045	2 BEAT 8D01	3 RB NUMBER 01-93933
----------------	----------------	-------------------------

4 CODE	5 ITEM	6 QTY.	7 ITEM NAME	8 BRAND / MAKE MANUFACTURER	9 MODEL NAME OR NUMBER	10 MISC. DESCRIPTION	11 IDENTIFICATION / SERIAL NUMBER	12 VALUE
--------	--------	--------	-------------	-----------------------------	------------------------	----------------------	-----------------------------------	----------

Upon seeing Romero fall Sgt. Blanchard said he drove forward to protect Officer Romero from being hit by the suspect vehicle. Sgt. Blanchard said he didn't know if the suspect vehicle went behind him or in front of him.

I asked Sgt. Blanchard if he saw who was shooting. Sgt. Blanchard said, "No." I asked Sgt. Blanchard if he knew how many shots were fired. Sgt. Blanchard said it sounded to him like the first series of shots fired were in a group of two. The second series of shots fired were two more shots. Sgt. Blanchard said all total it sounded to him like six shots were fired.

Sgt. Blanchard said he heard Deputy Laubacher and the suspect vehicle collide. Sgt. Blanchard described his vehicle as a gray Chevy pickup with a camper shell.

Sgt. Blanchard said after he got to Officer Romero, Officer Romero told him that he had been hit by the suspect vehicle. Sgt. Blanchard told me that he could see a tire track across the top of Romero's shoe.

End of interview refer to tape for details.

13 DATE / TIME OF REPORT 10/24/01/ 7:59 AM	14 REPORTING OFFICER / ID NO / DIV / UNIT Det. S. Rhods/#1438/Special Services	15 APPROVED BY / ID NO <i>A.R. Kelley #800 Sgt</i>
---	---	---

NARRATIVE REPORT VENTURA COUNTY SHERIFF'S DEPARTMENT

Page 1 of 4 Continuation

AGENCY IDENTIFIER CA0560000

1 R.D. 8045	2 BEAT 8D01	3 RB NUMBER 01-93933
----------------	----------------	-------------------------

4 CODE	5 ITEM	6 QTY.	7 ITEM NAME	8 BRAND / MAKE MANUFACTURER	9 MODEL NAME OR NUMBER	10 MISC. DESCRIPTION	11 IDENTIFICATION / SERIAL NUMBER	12 VALUE
--------	--------	--------	-------------	-----------------------------	------------------------	----------------------	-----------------------------------	----------

- Supplemental Case Cleared
 Gang Domestic Hate Child Abuse Elderly Abuse

Connecting Report Numbers:

Code Section / Description:

Code Section / Description:

Reclassify to:

Code: V-1 Name: REYES/NELSON/ROMERO

INTERVIEW OF DETECTIVE LAUBACHER

ON 10-23-01, AT APPROXIMATELY 12:20 AM I INTERVIEWED DETECTIVE HARRY LAUBACHER OF THE VENTURA COUNTY SHERIFF'S DEPARTMENT CONCERNING THE "BUY/BUST" OPERATION THAT TOOK PLACE IN THE PARKING LOT OF "DEL TACO" IN THE CITY OF CAMARILLO. DETECTIVE LAUBACHER IS ASSIGNED TO THE VENTURA COUNTY NARCOTICS TASK FORCE. A "WALK THROUGH" OF THE SCENE WAS ALSO CONDUCTED WITH DETECTIVE LAUBACHER.

IN ESSENCE DETECTIVE LAUBACHER TOLD ME HE WAS A MEMBER OF THE SURVEILLANCE TEAM THAT FOLLOWED THE SUSPECTS FROM WILMINGTON, [CARSON] TO THE "DEL TACO" PARKING LOT. LAUBACHER SAID JUST PRIOR TO THE SUSPECT'S CAR ENTERING THE "DEL TACO" PARKING LOT, HE SAW THE SUSPECT'S VEHICLE STOP AT THE "CHEVRON" GAS STATION AT THE INTERSECTION OF LAS POSAS ROAD AND DAILY DRIVE.

LAUBACHER SAID AT THIS LOCATION HE SAW ONE OF THE SUSPECTS REMOVE A BLACK BAG FROM THE TRUNK OF THE CAR AND PLACE IT IN THE PASSENGER AREA OF THE CAR.

13 DATE / TIME OF REPORT 10/30/01/ 2:06 PM	14 REPORTING OFFICER / ID NO / DIV / UNIT J. PANZA / 1204 / MC / Homicide	15 APPROVED BY / ID NO <i>J. R. Kelley #1800 Sgt</i>
---	--	---

NARRATIVE REPORT VENTURA COUNTY SHERIFF'S DEPARTMENT

Page 2 of 4 Continuation

AGENCY IDENTIFIER CA0560000

1 R.D. 8045	2 BEAT 8D01	3 RB NUMBER 01-93933
----------------	----------------	-------------------------

4 CODE	5 ITEM	6 QTY.	7 ITEM NAME	8 BRAND / MAKE MANUFACTURER	9 MODEL NAME OR NUMBER	10 MISC. DESCRIPTION	11 IDENTIFICATION / SERIAL NUMBER	12 VALUE
--------	--------	--------	-------------	-----------------------------	------------------------	----------------------	-----------------------------------	----------

AFTER THE MOVEMENT OF THE BLACK BAG, LAUBACHER SAID HE FOLLOWED THE SUSPECT'S CAR FROM THE "CHEVRON" GAS STATION AND SAW THE CAR ENTER THE SHOPPING COMPLEX, [ON THE SOUTH SIDE OF HIGHWAY 101] FROM LAS POSAS ROAD. LAUBACHER SAID THE SUSPECT'S CAR ENTERED THE COMPLEX AT THE ENTRANCE BETWEEN THE "DEL TACO" LOT AND THE "TEXACO" GAS STATION.

LAUBACHER TOLD ME ONCE THE CAR ENTERED THE "DEL TACO" LOT HE WAS ASSIGNED TO COVER THE "OUTER PERIMETER" OF THE ARREST LOCATION. LAUBACHER SAID HE WAS PARKED ON THE FRONTAGE ROAD SOUTHWEST OF "DEL TACO". LAUBACHER SAID HE WAS NOT ABLE TO SEE THE UNDERCOVER VEHICLE OR THE SUSPECT VEHICLE FROM HIS LOCATION.

LAUBACHER SAID HE THEN HEARD OTHER NARCOTICS DETECTIVES BROADCAST OVER THE RADIO THAT THE SUSPECT'S VEHICLE WAS BACKING UP NEXT TO THE UNDERCOVER OFFICERS CAR. SHORTLY AFTER LAUBACHER SAID HE HEARD DETECTIVE REYES PUT OUT THE "BUST" SIGNAL.

LAUBACHER SAID AFTER HEARING THE "BUST" SIGNAL OVER THE RADIO HE BEGAN TO DRIVE TOWARDS THE AREA OF THE "DEL TACO" PARKING LOT. LAUBACHER SAID WHILE DRIVING HE HEARD SOMEONE SAY OVER THE RADIO "HE'S LEAVING THE AREA" OR "HE'S GETTING AWAY".

LAUBACHER SAID AT THIS POINT HE COULD SEE THE SUSPECT'S CAR "TAKE OFF" EASTBOUND TOWARDS THE "DEL TACO" AND COULD "SEE PEOPLE RUNNING ALL OVER THE PLACE". LAUBACHER SAID HE SAW SEVERAL DETECTIVES, [HE WASN'T SURE WHICH ONES] RUNNING TOWARDS THE SUSPECT'S CAR.

LAUBACHER SAID HE NEXT SAW THE SUSPECT'S CAR WESTBOUND THROUGH THE "DEL TACO" LOT AT THE SAME TIME HE HEARD SHOTS BEING FIRED. LAUBACHER

13 DATE / TIME OF REPORT 10/30/01/ 2:06 PM	14 REPORTING OFFICER / ID NO / DIV / UNIT J. PANZA / 1204 / MC / Homicide	15 APPROVED BY / ID NO <i>A.L. Kelley #7822</i> <i>Ag. T.</i>
---	--	--

NARRATIVE REPORT VENTURA COUNTY SHERIFF'S DEPARTMENT

Page 3 of 4 Continuation

AGENCY IDENTIFIER CA0560000

1 R.D. 8045	2 BEAT 8D01	3 RB NUMBER 01-93933
----------------	----------------	-------------------------

4 CODE	5 ITEM	6 QTY.	7 ITEM NAME	8 BRAND / MAKE MANUFACTURER	9 MODEL NAME OR NUMBER	10 MISC. DESCRIPTION	11 IDENTIFICATION / SERIAL NUMBER	12 VALUE
--------	--------	--------	-------------	-----------------------------	------------------------	----------------------	-----------------------------------	----------

SAID HE COULD SEE "DETECTIVES RUNNING ALL OVER THE PLACE" AND YELLING AT THE SUSPECT'S CAR. LAUBACHER SAID HE WAS NOT SURE WHAT THE OFFICER'S WERE YELLING BUT ASSUMED IT WAS "SHERIFF'S DEPARTMENT AND STOP". LAUBACHER SAID HE THOUGHT THE WINDOW OF HIS UNDERCOVER CAR WAS DOWN AT THAT POINT.

LAUBACHER SAID AT THIS TIME, WHEN HE SAW THE SUSPECT'S CAR ACCELERATING WESTBOUND THROUGH THE "DEL TACO" LOT HE ATTEMPTED TO BLOCK THE SUSPECT'S CAR IN THE LOT TO PREVENT HIS ESCAPE. LAUBACHER SAID THIS IS WHEN HIS CAR AND THE SUSPECT'S CAR "T-BONED" INTO EACH OTHER. LAUBACHER SAID WHEN HE SAW THE SUSPECT'S CAR ACCELERATING WESTBOUND THROUGH THE LOT HE SAW DETECTIVE REYES AND OTHER DETECTIVES IN THE LOT. LAUBACHER SAID HE COULD STILL HEAR SHOTS BEING FIRED. LAUBACHER SAID HE THOUGHT THE SUSPECT WAS "GOING TO GET AWAY" AND THAT THE SUSPECT "NEEDED TO BE STOPPED BEFORE ANYONE ELSE GOT HURT".

LAUBACHER SAID THE SUSPECT'S CAR HIT HIS TRUCK ON THE FRONT DRIVERS SIDE. LAUBACHER SAID HE COULD NOT REMEMBER IF HE TRIED TO BROAD SIDE THE SUSPECT'S CAR WHEN HE TRIED TO BLOCK IT. LAUBACHER SAID HE JUST TRIED TO "T-BONE" HIM. LAUBACHER SAID HE WAS NOT SURE IF THE SUSPECT'S CAR WAS PASSING HIS TRUCK AT THE TIME OF THE COLLISION. LAUBACHER SAID THE SUSPECT'S CAR WAS WESTBOUND THROUGH THE PARKING LOT AND HIS TRUCK WAS GOING NORTHBOUND THROUGH THE LOT JUST PRIOR TO THE COLLISION. LAUBACHER SAID HIS TRUCK WAS TRAVELING APPROXIMATELY 5-10 MPH AT THE TIME OF THE COLLISION.

LAUBACHER SAID THE SUSPECT'S CAR HIT HIS TRUCK HARD. LAUBACHER SAID AFTER THE COLLISION HIS TRUCK'S AIRBAGS DEPLOYED AND HIS TRUCK CONTINUED TO ROLL FORWARD. LAUBACHER SAID HE WAS NOT HURT DURING THE COLLISION

13 DATE / TIME OF REPORT 10/30/01/ 2:06 PM	14 REPORTING OFFICER / ID NO / DIV / UNIT J. PANZA / 1204 / MC / Homicide	15 APPROVED BY / ID NO <i>J. L. Kelley #1052</i>
---	--	---

NARRATIVE REPORT VENTURA COUNTY SHERIFF'S DEPARTMENT

Page 4 of 4 Continuation

AGENCY IDENTIFIER CA0560000

1 R.D. 8045	2 BEAT 8D01	3 RB NUMBER 01-93933
----------------	----------------	-------------------------

4 CODE	5 ITEM	6 QTY.	7 ITEM NAME	8 BRAND / MAKE MANUFACTURER	9 MODEL NAME OR NUMBER	10 MISC. DESCRIPTION	11 IDENTIFICATION / SERIAL NUMBER	12 VALUE
--------	--------	--------	-------------	-----------------------------	------------------------	----------------------	-----------------------------------	----------

BUT WAS "STUNNED" A LITTLE AT FIRST. LAUBACHER SAID AFTER THE COLLISION HE THEN SAW THE PATROL UNITS TAKE THE SUSPECTS INTO CUSTODY.

13 DATE / TIME OF REPORT 10/30/01/ 2:06 PM	14 REPORTING OFFICER / ID NO / DIV / UNIT J. PANZA / 1204 / MC / Homicide	15 APPROVED BY / ID NO <i>A.R. Kelley #1872</i>
---	--	--

NARRATIVE REPORT VENTURA COUNTY SHERIFF'S DEPARTMENT

Page 4 of 4

Continuation

AGENCY IDENTIFIER CA0560000

1 R.D. 8045	2 BEAT 8D	3 RB NUMBER 01-93933
----------------	--------------	-------------------------

4 CODE	5 ITEM	6 QTY.	7 ITEM NAME	8 BRAND / MAKE MANUFACTURER	9 MODEL NAME OR NUMBER	10 MISC. DESCRIPTION	11 IDENTIFICATION / SERIAL NUMBER	12 VALUE
--------	--------	--------	-------------	-----------------------------	------------------------	----------------------	-----------------------------------	----------

**INTERVIEW
SENIOR DEPUTY CARLOS MACIAS**

SN #2362

**VENTURA COUNTY SHERIFF'S DEPARTMENT
NARCOTICS TASK FORCE**

On 10-22-01, 2055 hours, I interviewed Senior Deputy Macias at the scene concerning this investigation. The following is a summary of a tape-recorded interview I had with Senior Deputy Macias:

Senior Deputy Macias is assigned as a member of the Narcotics Task Force, acting as the case agent. Macias briefly indicated the task force was conducting an investigation involving four pounds of meth. The task force involved two teams, arrest/bust team led by Senior Deputy Eddie Reyes and the surveillance team that followed the suspects to the Target parking lot. Upon arriving at the parking lot, the surveillance team maneuvered and maintained outer perimeter security.

Senior Deputy Macias parked in front of the Petco Store located at the north end of the parking lot. Macias was sitting alone in an unmarked police unit listening to the (UC) undercover officer. Macias indicated the UC was wired with a wireless transmission device that Macias was capable of monitoring. Macias was unable to see the UC and the suspects' vehicle due to numerous other vehicles parked in the parking lot.

While monitoring the UC and suspects' conversation, Macias heard via his police radio that the "bust team" received its signal to approach and arrest the suspects. Shortly thereafter, he heard via his radio, "They're running. They're running." Macias immediately drove westbound through the parking lot to the Pier1 and Del Taco area. As he approached the area, he saw the suspects' vehicle traveling westbound through the parking lot. At the same time, he saw fellow officer Harry Laubacher was injured. Macias stopped his vehicle and immediately assisted Laubacher. Macias did not hear the shots nor did he see any of the collisions.

13 DATE / TIME OF REPORT
10/26/01 / 13:15

14 REPORTING OFFICER / ID NO / DIV / UNIT
E. Montagna #1047 / Sgt.

15 APPROVED BY / ID NO
A. L. Kelley #1022 Sgt.

NARRATIVE REPORT VENTURA COUNTY SHERIFF'S DEPARTMENT

Page 3 of 4 Continuation

AGENCY IDENTIFIER CA0560000

1 R.D. 8045	2 BEAT 8D	3 RB NUMBER 01-93933
----------------	--------------	-------------------------

4 CODE	5 ITEM	6 QTY.	7 ITEM NAME	8 BRAND / MAKE MANUFACTURER	9 MODEL NAME OR NUMBER	10 MISC. DESCRIPTION	11 IDENTIFICATION / SERIAL NUMBER	12 VALUE
--------	--------	--------	-------------	-----------------------------	------------------------	----------------------	-----------------------------------	----------

**INTERVIEW
OFFICER BILL LAPPIN
SN #217
SIMI POLICE DEPARTMENT**

On 10-22-01, 2030 hours, I interviewed Officer Lappin at the scene concerning this investigation. The following is a summary of a tape-recorded interview I had with Officer Lippin:

Officer Lappin is assigned to the narcotic task force. Today, Officer Lappin was assigned as a member of the surveillance team that followed the suspects to the Target parking lot located at Los Posas Road and Hwy 101. Upon arriving at the parking lot, Officer Lappin duties included perimeter security.

Officer Lappin parked near the Wendy Restaurant located southwest of the Del Taco. While at that location, he saw the suspects' vehicle park next to the undercover's vehicle, which were located just west of the Del Taco. Shortly thereafter, he heard via his police radio that the "bust signal was given verbally" and waited to "watch the UC (undercover officer) walk away, giving the visual signal." At that time, the "bust team" approached the suspects. Officer Lappin immediately left the Wendy lot and drove to the south exit of the parking lot to prevent any escape by the suspects. At this time, he saw the suspects traveling east through the parking lot towards Del Taco. Then the suspects turned and continued west through the parking lot as he approached the south exit of the parking lot.

As Officer Lappin approached the south exit, he heard possibly three shots. Lappin briefly saw the suspects' vehicle travel westbound through the parking lot and did not see any of the collisions. As the suspects' vehicle traveled westbound in the parking lot, he also saw several fellow officers run northeast through the parking lot with their weapons drawn wearing vest with police / sheriff printed on them. Officer Lappin eventually exited his vehicle and saw that the suspects had stop. Lappin approached the suspects' vehicle and assisted fellow officers in the arrest of the suspects.

13 DATE / TIME OF REPORT
10/26/01 / 13:15

14 REPORTING OFFICER / ID NO / DIV / UNIT
E. Montagna #1047 / Sgt.

15 APPROVED BY / ID NO
A.R. Kelley #1822 dgt

NARRATIVE REPORT VENTURA COUNTY SHERIFF'S DEPARTMENT

Page 1 of 3 Continuation

AGENCY IDENTIFIER CA0560000

1 R.D. 8045	2 BEAT 8D01	3 RB NUMBER 01-93933
----------------	----------------	-------------------------

4 CODE	5 ITEM	6 QTY.	7 ITEM NAME	8 BRAND / MAKE MANUFACTURER	9 MODEL NAME OR NUMBER	10 MISC. DESCRIPTION	11 IDENTIFICATION / SERIAL NUMBER	12 VALUE
--------	--------	--------	-------------	-----------------------------	------------------------	----------------------	-----------------------------------	----------

Supplemental Case Closed

Gang Domestic Hate Child Abuse Elderly Abuse

Connecting Report Numbers:

Code Section / Description: Officer Involved Shooting

Code Section / Description : Reclassify To:

Code: S-1 Name: Rubio, Alejandro "Alex"

Interview of Det. Joaquin Diaz

After responding to the above incident, I was tasked with interviewing Det. Diaz who was part of the Narcotics Task Force involved in the above investigation.

At approximately 2047 hours, I sat down with Diaz to go over what he knew and saw that afternoon.

Diaz related to me that they had started their surveillance of the suspect, in Wilmington, earlier that day. He said the primary objective was to follow the suspect back to Ventura County where the suspect was supposed to bring four pounds of "methamphetamine" to an undercover officer.

As the suspects began driving toward Ventura County, they were surveilled by officers to the parking lot where the purchase was to take place.

I asked Diaz what his assignment was. He told me that he was to secure the outside perimeter as the bust took place to assure that no vehicles entered or exited the area.

Diaz went on to explain that he was parked in the "Wendy's" parking lot (southwest) of the location where the purchase was to take place. As he began to move into position after hearing the undercover agent had given the "bust signal", he saw that the suspect had pulled forward and began to drive out the east end of the parking lot toward Del Taco.

13 DATE / TIME OF REPORT 10/26/01	14 REPORTING OFFICER / ID NO / DIV / UNIT T. LORENZEN / 0797 / SS / MAJ CRIMES	15 APPROVED BY / ID NO <i>J.R. Kelley #1852 Sgt.</i>
--------------------------------------	---	---

NARRATIVE REPORT VENTURA COUNTY SHERIFF'S DEPARTMENT

Page 2 of 3

Continuation

AGENCY IDENTIFIER CA0560000

1 R.D. 8045	2 BEAT 8D01	3 RB NUMBER 01-93933
----------------	----------------	-------------------------

4 CODE	5 ITEM	6 QTY.	7 ITEM NAME	8 BRAND / MAKE MANUFACTURER	9 MODEL NAME OR NUMBER	10 MISC. DESCRIPTION	11 IDENTIFICATION / SERIAL NUMBER	12 VALUE
--------	--------	--------	-------------	-----------------------------	------------------------	----------------------	-----------------------------------	----------

Diaz further explained that when the suspect realized that he had gone the wrong way, he (the suspect) backed up against the Pier One Imports Store. As the suspect began to pull forward, Diaz said he heard shots being fired.

I asked Diaz if he could see anyone who shot. He said that he could not. Diaz did say that he saw several officers around the suspect's vehicle.

I asked if he could hear the shots and how many. Diaz said that he thought he heard approximately six shots.

I asked who he saw around the car. Diaz told me he could only see Detectives Lattin and Reyes at that time. I asked if he could tell if Lattin and Reyes had their weapons out. He said that they did.

I asked if he could see what Reyes was carrying at the time. Diaz said that although he could not see what Reyes was carrying, he later saw what it was as he assisted in the arrest of the suspects.

Diaz further explained that he was to cover the east entrance of the parking lot. He said that as he began to drive eastbound in the main driveway of the complex, he saw that the suspect was driving the opposite direction (westbound). He backed his car up in that direction to block off the escape route.

Diaz said that after the vehicle stopped, he assisted in the arrest of the suspect seated in the back seat (Camez).

I asked if the suspect's vehicle was at rest when he assisted in the arrest. He said that it was. I asked if he saw the collision between the suspect's car and Det. Laubacher's truck. He said that he didn't in that he was backing up to get into position and did not see the collision, although Diaz did mention he heard it.

I asked Diaz about the arrest of the suspect in the back seat and where that subject was sitting. He told me the suspect was in the right rear seat, and the right front passenger seat was vacant.

I asked Diaz if he ordered the passenger out of the car. He explained to me that Reyes had already done so, and the suspect was halfway out, as he got to Reyes. After the suspect was out of the car, they both "proned" him out on the ground.

13 DATE / TIME OF REPORT
10/26/01

14 REPORTING OFFICER / ID NO / DIV / UNIT
T. LORENZEN / 0797 / SS / MAJ CRIMES

15 APPROVED BY / ID NO
J.P. Kelly #8022

NARRATIVE REPORT VENTURA COUNTY SHERIFF'S DEPARTMENT

Page 3 of 3

Continuation

AGENCY IDENTIFIER CA0560000

1 R.D. 8045	2 BEAT 8D01	3 RB NUMBER 01-93933
----------------	----------------	-------------------------

4 CODE	5 ITEM	6 QTY.	7 ITEM NAME	8 BRAND / MAKE MANUFACTURER	9 MODEL NAME OR NUMBER	10 MISC. DESCRIPTION	11 IDENTIFICATION / SERIAL NUMBER	12 VALUE
--------	--------	--------	-------------	-----------------------------	------------------------	----------------------	-----------------------------------	----------

I asked Diaz if he saw what happened to the driver. He said that he did not, in that he was concentrating on the suspect coming out of the back seat.

I asked Diaz if he handcuffed the suspect out of the back seat. He said that he did.

I confirmed with Diaz that he only heard the shooting and did not see it. Diaz said that was correct.

I asked if he saw Det. Romero get hit by the suspect's car, and he said that he did not.

I asked Diaz if he was dressed in any type of official gear. He told me that he was not and explained that he was on the surveillance team and had just come into the area.

Shortly after this, the interview with Diaz was concluded.

The above is a synopsis of a tape recorded interview and is not verbatim. The tape was turned over to Sgt. Kelley, the case agent.

13 DATE / TIME OF REPORT
10/26/01

14 REPORTING OFFICER / ID NO / DIV / UNIT
T. LORENZEN / 0797 / SS / MAJ CRIMES

15 APPROVED BY / ID NO
T.L. Kelley #1882 Sgt

NARRATIVE REPORT VENTURA COUNTY SHERIFF'S DEPARTMENT

Page 1 of 3 Continuation

AGENCY IDENTIFIER CA0560000

1 R.D. 8045	2 BEAT 8D	3 RB NUMBER 01-93933
----------------	--------------	-------------------------

4 CODE	5 ITEM	6 QTY.	7 ITEM NAME	8 BRAND / MAKE MANUFACTURER	9 MODEL NAME OR NUMBER	10 MISC. DESCRIPTION	11 IDENTIFICATION / SERIAL NUMBER	12 VALUE
--------	--------	--------	-------------	-----------------------------	------------------------	----------------------	-----------------------------------	----------

Supplemental Case Closed

Gang Domestic Hate Child Abuse Elderly Abuse

Connecting Report Numbers:

Code Section / Description Code Section / Description (Reclassify To:)

Code: Name:

**Interview with
Cindy Morales/ #2386
Senior Deputy
Ventura County Sheriff's Department
800 S. Victoria Avenue
Ventura, Ca**

On 10/22/2001, at 2036 hours, I interviewed Senior Deputy Cindy Morales regarding her involvement in this case. The following is a synopsis of my tape-recorded interview with Morales.

Morales told me that she was part of the surveillance team that followed the suspects from the Willmington/ Carson area to the Del Taco parking lot in Camarillo. Morales said that this parking lot had been the predetermined location where a narcotics transaction was to take place.

Morales said that once they arrived at the Del Taco location, her team took positions around the perimeter. The suspect then met with the undercover officer to make the

13 DATE / TIME OF REPORT 10/30/2001 / 12:06 PM	14 REPORTING OFFICER / ID NO / DIV / UNIT J. Rivera / 2696 / WC / Special Services	15 APPROVED BY / ID NO <i>J.R. Kelly #4832</i>
---	---	---

NARRATIVE REPORT VENTURA COUNTY SHERIFF'S DEPARTMENT

Page 2 of 3 Continuation

AGENCY IDENTIFIER CA0560000

1 R.D. 8045	2 BEAT 8D	3 RB NUMBER 01-93933
----------------	--------------	-------------------------

4 CODE	5 ITEM	6 QTY.	7 ITEM NAME	8 BRAND / MAKE MANUFACTURER	9 MODEL NAME OR NUMBER	10 MISC. DESCRIPTION	11 IDENTIFICATION / SERIAL NUMBER	12 VALUE
--------	--------	--------	-------------	-----------------------------	------------------------	----------------------	-----------------------------------	----------

transaction. Morales said that she positioned herself to the rear of the Target Store. She then monitored the transaction over the radio.

Morales said there was an arrest team of officers that were already in place inside the parking lot. This team of officers were going to be used to arrest the suspects once the undercover officer gave them a signal.

I asked Morales which officers were part of her team that followed the suspect to the location. Morales said the team consisted of Detective Diaz, Macias, Lappin, Laubacher, and herself.

Morales said they were all in separate vehicles and at different locations around the perimeter. Morales said that she heard the officer who was monitoring the transaction give the "bust signal." She then heard someone over the radio say, "they're running, they're running."

Morales said she moved out of her location and traveled north along the road located to the west of Parking Lot #2. Morales said that when she arrived at the location, there were several uniformed officers who were taking the suspects into custody. Morales said she entered the parking lot through the entrance located by the Petco Store. Morales said she was driving a blue compact.

I asked Morales if the suspect's vehicle was at it's current position. I pointed to the tan Honda Accord located a few yards away from us. Morales said the vehicle was at that location and the suspects were down on the ground.

13 DATE / TIME OF REPORT 10/30/2001 / 12:06 PM	14 REPORTING OFFICER / ID NO / DIV / UNIT J. Rivera / 2696 / WC / Special Services	15 APPROVED BY / ID NO <i>J.R. Kelley #802</i>
---	---	---

NARRATIVE REPORT VENTURA COUNTY SHERIFF'S DEPARTMENT

Page 3 of 3 Continuation

AGENCY IDENTIFIER CA0560000

1 R.D. 8045	2 BEAT 8D	3 RB NUMBER 01-93933
----------------	--------------	-------------------------

4 CODE	5 ITEM	6 QTY.	7 ITEM NAME	8 BRAND / MAKE MANUFACTURER	9 MODEL NAME OR NUMBER	10 MISC. DESCRIPTION	11 IDENTIFICATION / SERIAL NUMBER	12 VALUE
--------	--------	--------	-------------	-----------------------------	------------------------	----------------------	-----------------------------------	----------

I asked Morales if she was able to see any of the events that occurred prior to her arrival. She said, "No." She said she did see Detective Romero down on the ground. Morales pointed towards the north/ east entrance of the Del Taco restaurant as to Romero's location.

Morales did not have any further details regarding this incident. I concluded my interview with Morales.

13 DATE / TIME OF REPORT 10/30/2001 / 12:06 PM	14 REPORTING OFFICER / ID NO / DIV / UNIT J. Rivera / 2696 / WC / Special Services	15 APPROVED BY / ID NO <i>J. L. Kelley #1882 Sgt</i>
---	---	---

NARRATIVE REPORT VENTURA COUNTY SHERIFF'S DEPARTMENT

Page 1 of 3 Continuation

AGENCY IDENTIFIER CA0560000

1 R.D. 8045	2 BEAT 8D01	3 RB NUMBER 01-93933
----------------	----------------	-------------------------

4 CODE	5 ITEM	6 QTY.	7 ITEM NAME	8 BRAND / MAKE MANUFACTURER	9 MODEL NAME OR NUMBER	10 MISC. DESCRIPTION	11 IDENTIFICATION / SERIAL NUMBER	12 VALUE
--------	--------	--------	-------------	-----------------------------	------------------------	----------------------	-----------------------------------	----------

- Supplemental Case Cleared
 Gang Domestic Hate Child Abuse Elderly Abuse

Connecting Report Numbers:

Code Section / Description: 245 P.C. ADW on a Police Officer

Reclassify To:

Code: V-1 Name: Reyes, Eduardo

On October 22, 2001, while assisting in the investigation of an ADW on a police officer. I was detailed to interview Deputy Juan Benavides.

The following is a synopsis of that tape-recorded interview.

Deputy Juan Benavides #3027

**800 S. Victoria
Ventura, CA.**



Benavides told me that he and Deputy Clancy were detailed to assist Sheriff's Narcotics with a "buy bust." Benavides said he and Clancy were dressed in Sheriff's uniform and driving marked Sheriff's patrol units. Benavides said he and Deputy Clancy were driving separate vehicles.

During the course of this operation Benavides said he and Clancy were assigned to the outer perimeter in case the suspect's attempted to flee the area. Benavides said he and Clancy were responsible for being the primary units in the pursuit.

Benavides said the suspect was supposed to come to Camarillo and show the undercover officer (Deputy Capuano) the drugs he had for sale. Benavides said he was in the area of Edwards Theater when he heard on the radio that the arrest team was to move in on the

13 DATE / TIME OF REPORT 10/24/01/ 7:54 AM	14 REPORTING OFFICER / ID NO / DIV / UNIT Det. S. Rhods/#1438/Special Services	15 APPROVED BY / ID NO <i>S. R. Kelly</i>
---	---	--

NARRATIVE REPORT VENTURA COUNTY SHERIFF'S DEPARTMENT

Page 2 of 3

Continuation

AGENCY IDENTIFIER CA0560000

1 R.D. 8045	2 BEAT 8D01	3 RB NUMBER 01-93933
----------------	----------------	-------------------------

4 CODE	5 ITEM	6 QTY.	7 ITEM NAME	8 BRAND / MAKE MANUFACTURER	9 MODEL NAME OR NUMBER	10 MISC. DESCRIPTION	11 IDENTIFICATION / SERIAL NUMBER	12 VALUE
--------	--------	--------	-------------	-----------------------------	------------------------	----------------------	-----------------------------------	----------

suspects. Benavides said he started driving towards Del Taco from the area of Ventura Blvd. east of Las Posas Rd.

Benavides said he crossed Las Posas Rd. at the same time he heard on the radio somebody say, "He's running." Benavides said he entered the parking lot to Del Taco at the south entrance and saw Clancy hit the suspect vehicle twice with his car.

Benavides said the suspect vehicle stopped. Benavides said he took a position of cover behind the driver's door of his car and started yelling commands at the occupants of the suspect vehicle to get out of the car.

Benavides said the driver of the suspect car yelled back at him, "the cars going to move, I have my foot on the brake."

Benavides said the car was obviously not moving. Benavides said the driver started to get part way out of the car when he (Benavides) started to move up on the subject. Benavides said he was then warned that there was somebody in the back seat. Benavides said an officer moved around to the passenger side of the car and held that subject at gunpoint.

Benavides said he then moved forward and grabbed the driver and dragged him away from the suspect vehicle where he handcuffed him. Benavides said he then saw Clancy and several detectives were taking the passenger into custody.

Benavides said he called for an ambulance and the fire department to respond and render medical aid for the injured.

Benavides said he was driving patrol unit #3076, which was parked, west bound near the right front fender of the suspect vehicle. Clancy was driving patrol unit #3114, which was parked near the right rear fender of the suspect vehicle.

13 DATE / TIME OF REPORT 10/24/01/ 7:54 AM	14 REPORTING OFFICER / ID NO / DIV / UNIT Det. S. Rhods/#1438/Special Services	15 APPROVED BY / ID NO <i>S. L. Kelley #1022 dgt</i>
---	---	---

NARRATIVE REPORT VENTURA COUNTY SHERIFF'S DEPARTMENT

Page 3 of 3

Continuation

AGENCY IDENTIFIER CA0560000

1 R.D. 8045	2 BEAT 8D01	3 RB NUMBER 01-93933
----------------	----------------	-------------------------

4 CODE	5 ITEM	6 QTY.	7 ITEM NAME	8 BRAND / MAKE MANUFACTURER	9 MODEL NAME OR NUMBER	10 MISC. DESCRIPTION	11 IDENTIFICATION / SERIAL NUMBER	12 VALUE
--------	--------	--------	-------------	-----------------------------	------------------------	----------------------	-----------------------------------	----------

I asked Benavides if he noticed if the driver of the suspect vehicle was injured. Benavides said the driver was moving slow but he didn't know if the driver was injured. I asked Benavides if he saw any blood on the driver. Benavides said he did notice the driver was bleeding around his mouth and on his arm.

Benavides said the air bag never deployed in the car and the driver was not wearing a seatbelt.

I asked Benavides if the driver made any statements while he was being arrested. Benavides said the driver said, "the cars going to move the cars going to move." Benavides said the car never moved after he pulled the driver out of the car.

Benavides said he didn't know who removed the second suspect. Benavides said the passenger was in the back seat.

I asked Benavides if he saw Clancy hit the suspect vehicle. Benavides said Clancy struck the suspect vehicle in the right rear quarter panel.

I asked Benavides where Clancy was when he stopped his car. Benavides said Clancy was behind his car door with a detective yelling at the suspects.

Benavides described the driver's exit from the car as if he rolled out of the driver's door with his right foot still on the brake.

End of interview refer to tape for details.

13 DATE / TIME OF REPORT 10/24/01/ 7:54 AM	14 REPORTING OFFICER / ID NO / DIV / UNIT Det. S. Rhods/#1438/Special Services	15 APPROVED BY / ID NO <i>J. L. Kelley #1002 dgf</i>
---	---	---

NARRATIVE REPORT VENTURA COUNTY SHERIFF'S DEPARTMENT

Page 1 of 4

Continuation

AGENCY IDENTIFIER CA0560000

1 R.D. 8045	2 BEAT 8D	3 RB NUMBER 01-93933
----------------	--------------	-------------------------

4 CODE	5 ITEM	6 QTY.	7 ITEM NAME	8 BRAND / MAKE MANUFACTURER	9 MODEL NAME OR NUMBER	10 MISC. DESCRIPTION	11 IDENTIFICATION / SERIAL NUMBER	12 VALUE
--------	--------	--------	-------------	-----------------------------	------------------------	----------------------	-----------------------------------	----------

- Supplemental Case Cleared
 Gang Domestic Hate Child Abuse Elderly Abuse

Connecting Report Numbers:

Code Section / Description: 11378 / 11379 H.S.

Code: A-1 Name: RUBIO, ALEJANDRO

INTERVIEW
DEPUTY KEVIN CLANCEY
 SN #2605
CENTRAL DIVISION
CAMARILLO PATROL

On 10-22-01, 1850 hours, I interviewed Deputy Kevin Clancey at the scene concerning this investigation. The following is a summary of a tape-recorded interview I had with Deputy Clancey:

Deputy Clancey was assigned to assist the narcotic task force on an undercover operation as a security perimeter officer. Deputy Clancey was in uniform driving a marked black/white patrol unit. Deputy Clancey was initially parked near the park-n-ride lot located east of the parking lot at Los Posas Road and Hwy 101. Upon giving the signal via his police radio, Deputy Clancey's duties included driving to the east parking lot entrance / exit at Los Posas Road and securing the east end of the parking lot. Deputy Clancey entered the parking lot off of Los Posas Road. As he continued west into the parking lot, Deputy Clancey heard several shots. At the same time, he heard radio transmissions indicating the suspects were attempting to leave the parking lot.

As he passed the Del Taco, Deputy Clancey also saw Senior Deputy Reyes with his "weapon shouldered and saw people moving." Then Deputy Clancey stated he "saw the car (suspects) strike Senior Deputy Laubacher's vehicle. The collision occurred in the area between the Del Taco and the Pier 1 store. The suspect's vehicle was traveling west through the parking lot as the suspects hit Laubacher's front portion of his vehicle.

13 DATE / TIME OF REPORT 10/26/01 / 13:15	14 REPORTING OFFICER / ID NO / DIV / UNIT E. Montagna #1047 / Sgt.	15 APPROVED BY / ID NO <i>A. L. Kelley #1027 Sgt.</i>
--	---	--

NARRATIVE REPORT VENTURA COUNTY SHERIFF'S DEPARTMENT

Page 2 of 4 Continuation

AGENCY IDENTIFIER CA0560000

1 R.D. 8045	2 BEAT 8D	3 RB NUMBER 01-93933
----------------	--------------	-------------------------

4 CODE	5 ITEM	6 QTY.	7 ITEM NAME	8 BRAND / MAKE MANUFACTURER	9 MODEL NAME OR NUMBER	10 MISC. DESCRIPTION	11 IDENTIFICATION / SERIAL NUMBER	12 VALUE
--------	--------	--------	-------------	-----------------------------	------------------------	----------------------	-----------------------------------	----------

The suspect's vehicle continued traveling westbound through the parking lot. As Deputy Clancey had passed the Del Taco, he turned right (north) into the parking lot and attempted to follow the suspect's vehicle. Deputy Clancey was able to drive directly behind the vehicle. Deputy Clancey maneuvered his vehicle and struck the suspect's vehicle's left rear quarter-panel, causing the suspects to stop. At that time, additional officers arrived and assisted Deputy Clancey in the arrest of the suspects.

Deputy Clancey indicated he saw two suspects in the vehicle, one driving the vehicle and the other suspect located in the rear seat. Both suspects eventually complied with the officers' orders and were placed under arrest.

13 DATE / TIME OF REPORT 10/26/01 / 13:15	14 REPORTING OFFICER / ID NO / DIV / UNIT E. Montagna #1047 / Sgt.	15 APPROVED BY / ID NO <i>A.L. Kelley #182 Sgt</i>
--	---	---

NARRATIVE REPORT VENTURA COUNTY SHERIFF'S DEPARTMENT

Page 1 of 2 Continuation

AGENCY IDENTIFIER CA0560000

1 R.D. 8051	2 BEAT 8D01	3 RB NUMBER 01-93933
----------------	----------------	-------------------------

4 CODE	5 ITEM	6 QTY.	7 ITEM NAME	8 BRAND / MAKE MANUFACTURER	9 MODEL NAME OR NUMBER	10 MISC. DESCRIPTION	11 IDENTIFICATION / SERIAL NUMBER	12 VALUE
--------	--------	--------	-------------	-----------------------------	------------------------	----------------------	-----------------------------------	----------

Supplemental Case Closed

Gang Domestic Hate Child Abuse Elderly Abuse

Connecting Report Numbers:

Code Section / Description: 245(c) PC – ADW on a Peace Officer

Reclassify To:

Code: A1 Name: Rubio, Alejandro ([REDACTED]) (CDL [REDACTED])

Initial Call Out and Response to VCMC

On 10-22-01 at approximately 1605 hrs., Sgt. Aranda advised me that there had been an officer involved shooting in the City of Camarillo. He instructed me to respond to the scene to assist in the investigation of the incident. I arrived at the scene, the Del Taco parking lot near Ventura Blvd. and Las Posas Rd. at approximately 1625 hours.

I assisted in widening the crime scene with perimeter tape and was then instructed to respond to the Ventura County Medical Center (VCMC) with Detective Laughlin. The driver of the suspect vehicle involved in the shooting had been transported to VCMC and we were told to standby with him for a possible interview and coordination of his treatment and custody status.

I drove to VCMC and arrived at about 1710 hours. When I arrived I found Patrol Deputy Slominski (#3424) standing by with the suspect (Alejandro Rubio) in Trauma Room 1. Rubio was on a backboard and had his neck immobilized with a C-Spine Collar. Deputy Slominski told me he rode in the ambulance with Rubio. For details of Deputy Slominski's actions and observations, refer to his Narrative Report under this same RB#.

I immediately placed a tape recorder near the head of Rubio's hospital bed and discreetly turned it on. It should be noted that it was an extremely busy and loud night in the Emergency Room; the quality of the tape was affected by all the activity.

While waiting with Dep. Slominski, Dr. [REDACTED] approached Rubio and began to examine him. I stood by with Dr. [REDACTED] and learned the following.

Rubio complained of pain in his neck, mouth and left arm/shoulder. He denied being under the influence of any drugs or alcohol but did admit to smoking Marijuana occasionally. He also said, "Once in a while I smoke 'Primia'." I am unfamiliar with the term "Primia."

I later learned that X-rays of Rubio's neck, skull and shoulder were taken. The X-ray of Rubio's left shoulder revealed a metal fragment lodged in the muscle tissue. Dr. [REDACTED] referred to this piece of metal

13 DATE / TIME OF REPORT 10/23/01 1:29 PM	14 REPORTING OFFICER / ID NO / DIV / UNIT Detective R. Davidson#2775/Special Services	15 APPROVED BY / ID NO <i>[Signature]</i>
--	--	--

NARRATIVE REPORT VENTURA COUNTY SHERIFF'S DEPARTMENT

Page 2 of 2 Continuation

AGENCY IDENTIFIER CA0560000

1 R.D. 8051	2 BEAT 8D01	3 RB NUMBER 01-93933
----------------	----------------	-------------------------

4 CODE	5 ITEM	6 QTY.	7 ITEM NAME	8 BRAND / MAKE MANUFACTURER	9 MODEL NAME OR NUMBER	10 MISC. DESCRIPTION	11 IDENTIFICATION / SERIAL NUMBER	12 VALUE
--------	--------	--------	-------------	-----------------------------	------------------------	----------------------	-----------------------------------	----------

as a "GSW Fragment" (GSW – Gun Shot Wound). I clarified that the origin of the fragment was not in fact known and could be a piece of molding or metal from Rubio's vehicle or something else which was not known to us. Dr. [REDACTED] also told me that she was going to clean the entry wound and attempt to retrieve the fragment, however she did not believe that she would be able to remove the fragment because it was deep in the shoulder. After cleaning the wound, Dr. [REDACTED] told me she was not able to remove the metal from Rubio's arm. The fragment was left in place for evaluation and possible removal at a later date.

During this time, the second suspect (Peter Camez) involved in this incident was brought to VCMC by ambulance. I requested that he be placed in a treatment room far away from Rubio to avoid communication and overheard conversations. Detective Laughlin stood by with Camez while hospital staff evaluated him. Please refer to Laughlin's Narrative Report for details.

At about 1800 hours, I was advised by detectives at the scene to coordinate blood draws from both Rubio and Camez. Nurse [REDACTED] conducted the draws. I witnessed both draws. Detective Laughlin took possession of the blood samples and later booked them at the Property Room Refrigerated lockers.

Detective Laughlin and I also photographed Rubio and Camez. Camez was photographed in the clothing he was wearing at the time of the incident. Due to Rubio's condition (i.e. being strapped to a backboard) I was unable to photograph him in his clothing. Instead I laid out his clothing and photographed them with Rubio in the background. I also photographed Rubio's entry wound on his left shoulder. Detective Laughlin took possession of the film and later booked it for processing.

At approximately 1834 hours, I was standing near Rubio's hospital bed. Unprompted, Rubio asked me, "Did any of those guys get hurt out there?" I responded, "I know two of them went to the hospital." To this Rubio responded, "Fuck!"

The second suspect, Camez, was cleared by hospital staff and was transported to the Headquarters Station by Deputy Mario Aguilar.

A short time later, Rubio was taken to the CAT scan room and had his head and neck evaluated. It was determined that he did not have any fractures in his spine or skull. Rubio was then cleared by hospital staff and was also transported to the Headquarters Station by Deputies Cerio and Anderson.

Once at the Headquarters Station, I arranged to have an evidence technician collect Rubio and Camez' clothing as evidence. Sgts. Aranda and Lorenzen arrived to conduct interviews of Rubio and Camez. Detective Laughlin and I prepared the booking paper work for Rubio and Camez. I also prepared a Declaration for Bail Increase in the amount of \$500,000 at the request of Sgt. Kelly for both Rubio and Camez.

After Aranda and Lorenzen completed their interviews, Rubio and Camez were escorted to the Main Jail where they were booked without incident.

End of Report.

13 DATE / TIME OF REPORT 10/23/01 1:29 PM	14 REPORTING OFFICER / ID NO / DIV / UNIT Detective R. Davidson#2775/Special Services	15 APPROVED BY / ID NO <i>[Signature]</i> Sep 26/01
--	--	--

NARRATIVE REPORT VENTURA COUNTY SHERIFF'S DEPARTMENT

Page 1 of 9 Continuation

AGENCY IDENTIFIER CA0560000

1 R.D.	2 BEAT	3 RB NUMBER
8045 8D01	01	93933

4 CODE	5 ITEM	6 QTY.	7 ITEM NAME	8 BRAND / MAKE MANUFACTURER	9 MODEL NAME OR NUMBER	10 MISC. DESCRIPTION	11 IDENTIFICATION / SERIAL NUMBER	12 VALUE
--------	--------	--------	-------------	-----------------------------	------------------------	----------------------	-----------------------------------	----------

Supplemental Case Closed

Gang Domestic Hate Child Abuse Elderly Abuse

Connecting Report Numbers:

Code Section / Description: Officer Involved Shooting

Code Section / Description : Reclassify To:

Code: S-1 Name: Rubio, Alejandro "Alex"

**Interview of Driver
Alejandro "Alex" Rubio**

[REDACTED]
[REDACTED]
Carson, Ca.

On 10/22/01, Sgt. Aranda and I were asked by Sgt. L Kelley to interview the two suspects in this case.

After learning that both suspects had been transported to the Headquarters Station, Aranda and I left the scene in Camarillo and drove to Ventura.

The first suspect to be interviewed was Alejandro "Alex" Rubio who was seated in an interview room.

The following is a synopsis of a tape recorded interview and is not verbatim.

Upon contact, I introduced Aranda and myself to Rubio. Sgt. Aranda then explained to Rubio what his charges were and the fact that we were there to interview him. Aranda then read Rubio his "Miranda Rights" from his department issued card. Rubio freely waived his rights by saying, "I have nothing to hide...might as well cooperate". The time was 2232 hours.

13 DATE / TIME OF REPORT 10/25/01	14 REPORTING OFFICER / ID NO / DIV / UNIT T. LORENZEN / 0797 / SS / MAJ CRIMES	15 APPROVED BY / ID NO <i>[Signature]</i> #1802
--------------------------------------	---	--

NARRATIVE REPORT VENTURA COUNTY SHERIFF'S DEPARTMENT

Page 2 of 9 Continuation

AGENCY IDENTIFIER CA0560000

1 R.D.	2 BEAT	3 RB NUMBER
8045 8D01	01	93933

4 CODE	5 ITEM	6 QTY.	7 ITEM NAME	8 BRAND / MAKE MANUFACTURER	9 MODEL NAME OR NUMBER	10 MISC. DESCRIPTION	11 IDENTIFICATION / SERIAL NUMBER	12 VALUE
--------	--------	--------	-------------	-----------------------------	------------------------	----------------------	-----------------------------------	----------

After receiving a waiver, Aranda started out by asking Rubio to tell us in his own words what had happened.

Rubio started by saying that he was just doing someone a favor. When I asked what the favor was, Rubio said that it was, "shooting somebody up to that place" (driving someone to Camarillo). Rubio added that he got "all paranoid" when he saw all the people coming out. He explained to us that he had just had a baby five days ago and he did not expect that a favor would turn out this bad.

I confirmed with Rubio that he was in fact the driver of the car. He confirmed that he was. Rubio also told us that his car was broken down and he had borrowed his mother's car.

I asked Rubio again about the favor that he was doing. He told us that he was giving someone a ride. I confirmed with Rubio that there were only two of them in the car. He agreed.

I then asked why they had come to Camarillo. Rubio explained that he was going to make some money for shooting (driving) his passenger up to Camarillo. When asked what the purpose was, he said that he didn't know until they got to Camarillo and he (Peter) began talking to him about it.

I asked Rubio when it was that Peter told him about the dope. He told us that he was the one that set Peter up with Steve (Capuano) after he had met Steve previously.

I asked Rubio when it was that he first "hooked up" with Steve. Rubio told us that he could not remember. He then said that it was about two or three weeks ago.

I asked Rubio about the first meeting with Steve and what kind of business they did. Rubio said he took Steve a "sample".

When asked how much the "sample" was, Rubio said, "it was an ounce and the price was \$900.00".

I asked if he remembered where he had met Steve. He told us that it was somewhere here in the area (actually Ventura). When asked if it was at a fast food restaurant, he thought that it may have been a "Carl's Jr." or a "Jack in the Box".

When asked what the talk was about, Rubio said that Steve had asked him if he had people that could do larger quantities or if he himself could do larger quantities.

13 DATE / TIME OF REPORT 10/25/01	14 REPORTING OFFICER / ID NO / DIV / UNIT T. LORENZEN / 0797 / SS / MAJ CRIMES	15 APPROVED BY / ID NO <i>[Signature]</i> #802
--------------------------------------	---	---

NARRATIVE REPORT VENTURA COUNTY SHERIFF'S DEPARTMENT

Page 3 of 9 Continuation

AGENCY IDENTIFIER CA0560000

1 R.D. 8045 8D01	2 BEAT 01	3 RB NUMBER 93933
---------------------	--------------	----------------------

4 CODE	5 ITEM	6 QTY.	7 ITEM NAME	8 BRAND / MAKE MANUFACTURER	9 MODEL NAME OR NUMBER	10 MISC. DESCRIPTION	11 IDENTIFICATION / SERIAL NUMBER	12 VALUE
--------	--------	--------	-------------	-----------------------------	------------------------	----------------------	-----------------------------------	----------

Rubio said that they also talked about a pound. He added that after taking the "sample", Steve called and asked him how many pounds he could get. Rubio said he told Steve that he would have to find out.

Rubio told us that he talked to certain people and they said "no.... that there was only so much". When he told Steve this, he said that it was good.

When asked how many pounds he and Steve were talking about, Rubio held up four fingers. I confirmed with him that he meant four pounds, and he stated, "which was this right here". I asked if there were four pounds in the car. Rubio replied, "in the bag".

We then discussed Rubio's financial problems and the fact that he was having to pay for milk, baby books, formula, rent, bills, etc. while working only two days a week at his sister's flower shop.

Rubio also told me that he found his brother-in-law just after he had shot himself in the head. He explained to us that not only did this affect his sister, but it also got to him to a point where Rubio said he "lost it".

Rubio further explained to us that he did not make any money on the first delivery (one ounce) which was just a "sample". He added that this was supposed to be a one time thing and he was supposed to get \$750 for the "hook up" (on the four pounds) on today's deal.

I asked Rubio about his conversation with Steve today. Rubio said that Steve wanted him to "go down" and Rubio explained to him that he (Rubio) couldn't find "his boy" (supplier). Steve told Rubio that he had his pager and when he got together with his guy, he was to page Steve.

Rubio said that his guy became available and when he told him what was going on, the supplier told Rubio that they could do the deal. Rubio said that he told the supplier that he didn't want to do the deal and suggested he (the supplier) go alone. His supplier told him that he needed help.

I confirmed with Rubio that the supplier that he was referring to was his passenger, Peter. Rubio nodded his head in confirmation.

I asked Rubio about the trip up to Camarillo and if they had talked about a game plan. Rubio said that they didn't talk much on the way up.

13 DATE / TIME OF REPORT 10/25/01	14 REPORTING OFFICER / ID NO / DIV / UNIT I. LORENZEN / 0797 / SS / MAJ CRIMES	15 APPROVED BY / ID NO <i>J.H. Kelley #822 Agt</i>
--------------------------------------	---	---

NARRATIVE REPORT VENTURA COUNTY SHERIFF'S DEPARTMENT

Page 4 of 9 Continuation

AGENCY IDENTIFIER CA0560000

1 R.D.	2 BEAT	3 RB NUMBER
8045	8D01	01-93933

4 CODE	5 ITEM	6 QTY.	7 ITEM NAME	8 BRAND / MAKE MANUFACTURER	9 MODEL NAME OR NUMBER	10 MISC. DESCRIPTION	11 IDENTIFICATION / SERIAL NUMBER	12 VALUE
--------	--------	--------	-------------	-----------------------------	------------------------	----------------------	-----------------------------------	----------

Aranda asked Rubio why Peter was sitting in the back seat. He responded, "he (Peter) was going to count the money".

I asked Rubio about who brought the gun into the car. His response was, "where was the gun?". I told him it was in the back seat.

Rubio then said something to the effect of, "you should ask him" (referring to Peter).

Aranda then asked if he was aware that Peter had the gun. He said that he wasn't.

I asked Rubio if Peter had the "dope with him when they first "hooked up". He said that Peter told him that he would be right back as Rubio jumped into the shower. When Peter came back, he asked Peter to take him to the store so he could get something for his grandmother. He said that he also told Peter that he had to take his girl to the clinic to get her c-section checked out. With this, Peter suggested that he would park his car at Rubio's girlfriend's house and they could leave from there.

Rubio went on to say that he dropped his girlfriend off at the clinic, got gas, and they left.

I asked Rubio if they (he and Peter) were together when he dropped his girlfriend off. He confirmed that they were.

I asked if Peter had the dope with him when he got in the car or if they had gone together to get the dope somewhere else. Rubio said that he already had the dope with him. I asked what Peter had the dope in. His response was, "a black bag".

I asked if they wrapped the dope or if it was already wrapped. Rubio said it was already wrapped.

I asked if he took it out to look at it or sample it. He said that he didn't see it (the dope) until he was with Steve and that's when he touched it.

I asked if he took it out to show Steve. He said that reached in and moved the bags around as he asked Steve if he wanted to open one of them.

Next, I asked Rubio what the agreed upon price was and he said, "ten on each". (\$10,000 per pound). I also asked what his portion would be, and he said it was \$750.

Aranda then confirmed with Rubio that each bag was \$10,000. Rubio said that's the price he understood from Peter.

13 DATE / TIME OF REPORT 10/25/01	14 REPORTING OFFICER / ID NO / DIV / UNIT T. LORENZEN / 0797 / SS / MAJ CRIMES	15 APPROVED BY / ID NO <i>[Signature]</i> #822
--------------------------------------	---	---

NARRATIVE REPORT VENTURA COUNTY SHERIFF'S DEPARTMENT

Page 5 of 9 Continuation

AGENCY IDENTIFIER CA0560000

1 R.D.	2 BEAT	3 RB NUMBER
8045 8D01	01	93933

4 CODE	5 ITEM	6 QTY.	7 ITEM NAME	8 BRAND / MAKE MANUFACTURER	9 MODEL NAME OR NUMBER	10 MISC. DESCRIPTION	11 IDENTIFICATION / SERIAL NUMBER	12 VALUE
--------	--------	--------	-------------	-----------------------------	------------------------	----------------------	-----------------------------------	----------

I asked Rubio if he had talked to Peter about some scenarios if something were to happen. His comment was, "no sir".

Next I asked about talking to Steve and when he first thought that something was wrong. Rubio said that Steve was acting very nervous.

When asked what happened next, Rubio said he asked Steve if he was a cop.

I asked Rubio what Peter said while they were sitting in the car. He said that he blacked him (Peter) out.

I asked if Peter was yelling at him. Rubio told us that all he could tell us was, "I was thinking about my kid... my plan to get home no matter what....just one last time".

I asked Rubio about his asking Steve if he was a cop and the fact that Steve was nervous, if he had an idea that he was in fact a cop. He said that at the moment, he (Steve) answered, "I'm not a cop, not a DEA, not an FBI, and I'm not a terrorist". Rubio said to Steve, "cool, it's nice to know you're not going to kill us with Amtrax or some shit like that". Steve answered, "don't worry about it".

Rubio continued by saying that Steve brought up the subject about going to a hotel. Peter suggested that he jump in, and as they drive around, Peter could count the money. He added that Peter suggested that he go through the "drive thru", in that he was hungry. He told Peter that driving around would be too hectic and suggested that they get it over and done with. He said that his plan was for Peter to stay and count the money, while he went to get something to eat.

Rubio said to us, "you guys walked up, just as he was about to leave".

I asked him what the first thing he saw when he knew things were going wrong. His reply was, "guns".

When I asked about anything else, he said, I didn't care about nobody else, I cared about the guns". I then asked if he heard them yelling at him, he said, "not really, I blacked out...I wanted to see my kid".

I asked him what he thought was going to happen to him at that point. Rubio said he thought he was going to die.

13 DATE / TIME OF REPORT 10/25/01	14 REPORTING OFFICER / ID NO / DIV / UNIT T. LORENZEN / 0797 / SS / MAJ CRIMES	15 APPROVED BY / ID NO <i>V.L. Valley #5800 Agt</i>
--------------------------------------	---	--

NARRATIVE REPORT VENTURA COUNTY SHERIFF'S DEPARTMENT

Page 6 of 9 Continuation

AGENCY IDENTIFIER CA0560000

1 R.D.	2 BEAT	3 RB NUMBER
8045	8D01	01-93933

4 CODE	5 ITEM	6 QTY.	7 ITEM NAME	8 BRAND / MAKE MANUFACTURER	9 MODEL NAME OR NUMBER	10 MISC. DESCRIPTION	11 IDENTIFICATION / SERIAL NUMBER	12 VALUE
--------	--------	--------	-------------	-----------------------------	------------------------	----------------------	-----------------------------------	----------

I asked why he thought he was going to die. He answered, "I don't know, I just thought I was going to die".

When asked if he was afraid of going to jail, Rubio told me that right then he was, because he thought of his child being born just five days ago.

I asked him about when dealing with Steve, had it crossed his mind that he was going to jail, when everything started coming down.

He told us that he thought he was going to die, because at first he didn't think they were cops and were there to "rip somebody off" or shoot somebody. He explained that as he began to drive the wrong way into the "drive thru", he looked into the (rear view) mirror, and saw that they were the cops. He said that he almost ran into the sheriff and saw the yellow letters.

I asked Rubio why he didn't stop. He said that he did stop, but it was too late, and he hit the truck. He said that he blacked out and did not remember anything after that. He added that he didn't remember how the car got away from the truck.

I confirmed with Rubio that he was talking about the silver truck that was parked. He said that he remembered he backed around, hit the truck and then was stuck. He said he could not explain how his car went on to hit the black truck (Det. Laubacher's).

I asked Rubio about looking in his mirror and seeing that the subject behind him was a sheriff, why then didn't he put his hands up and stop.

Rubio said that he did, when he hit the truck, but somehow he didn't stop. He said that when he was going in reverse, he saw that it was a cop. To avoid hitting him or doing anything to him, he swerved, hit the parked truck, and this is when he blacked out "for like ten seconds".

I asked Rubio to explain to me how then, when he was backing up and hit the truck, did he put the car into gear to go forward. He said that he didn't understand why and that was when he blacked out.

I told Rubio that I didn't think he blacked out because he was able to put his car into drive. His response was that he already had his car in drive. He explained that when he was going in reverse, somehow he slammed on the brakes when he hit and he had his hand on the lever and he pulled it back. He said it was the only explanation that he had.

13 DATE / TIME OF REPORT 10/25/01	14 REPORTING OFFICER / ID NO / DIV / UNIT T. LORENZEN / 0797 / SS / MAJ CRIMES	15 APPROVED BY / ID NO <i>[Signature]</i> 4802
--------------------------------------	---	---

NARRATIVE REPORT VENTURA COUNTY SHERIFF'S DEPARTMENT

Page 7 of 9 Continuation

AGENCY IDENTIFIER CA0560000

1 R.D.	2 BEAT	3 RB NUMBER
8045 8D01	01	93933

4 CODE	5 ITEM	6 QTY.	7 ITEM NAME	8 BRAND / MAKE MANUFACTURER	9 MODEL NAME OR NUMBER	10 MISC. DESCRIPTION	11 IDENTIFICATION / SERIAL NUMBER	12 VALUE
--------	--------	--------	-------------	-----------------------------	------------------------	----------------------	-----------------------------------	----------

I asked him how he then hit the gas. Rubio said he blacked out and did not remember anything, until he hit the black truck (Laubacher). He said when he woke up, the car was "wobbling" and there was nothing in front of him. He then saw a police officer running up to him and yelling for him to put his hands out.

I asked Rubio about when things first started happening, what was Peter saying to him. Rubio said that he blocked out Peter and did not pay attention to him.

I asked Rubio if he had ever done business with Peter before or had done business where it went well. He said that today was the first time and he was not a professional.

I asked Rubio how he knew Peter "was in the business". He told us that "the word" gets around on the street.

I asked if he went to Peter or did Peter come to him in reference to doing the first ounce. Rubio said that after Steve wanted it (crystal meth) he told "his boy" about it. "His boy" told Rubio to go ahead and run it out (take it to Steve) to see what these people are about.

I confirmed with Rubio that it was Peter he was talking about. He confirmed that it was by nodding his head.

I also confirmed with Rubio that after the first ounce was sold without a problem, that he contacted Peter in reference to the pounds that Steve wanted to buy. I asked Rubio what Peter said when he started talking pounds with him. He said that Peter told him that he wanted Rubio to do it by himself.

I asked him if Peter was going to trust him with four pounds. When he confirmed this, I asked him if he was related to Peter, in that this was very unusual for someone to "front" four pounds. Rubio said that Peter knew where his family lived and where he worked. He added that if anything happened, Peter would have his family killed.

Rubio went on to say that his intentions were not to burn anyone, but to get some toys for his kid and get some money for bills.

Rubio said that his sister cautioned him about doing what he was doing, in that he now had to think about his child.

I asked if his sister was aware of what he was doing. He said that she was, but did not agree with it.

13 DATE / TIME OF REPORT 10/25/01	14 REPORTING OFFICER / ID NO / DIV / UNIT T. LORENZEN / 0797 / SS / MAJ CRIMES	15 APPROVED BY / ID NO <i>H. Kelley #1822</i>
--------------------------------------	---	--

NARRATIVE REPORT VENTURA COUNTY SHERIFF'S DEPARTMENT

Page 8 of 9 Continuation

AGENCY IDENTIFIER CA0560000

1 R.D.

2 BEAT

3 RB NUMBER

8045 8D01 01-93933

4 CODE	5 ITEM	6 QTY.	7 ITEM NAME	8 BRAND / MAKE MANUFACTURER	9 MODEL NAME OR NUMBER	10 MISC. DESCRIPTION	11 IDENTIFICATION / SERIAL NUMBER	12 VALUE
--------	--------	--------	-------------	-----------------------------	------------------------	----------------------	-----------------------------------	----------

I asked again about Peter getting into the car with him and if he was aware that Peter had a gun. Rubio told us that he had seen and held that particular gun before. He added "it's the only one that he gots".

I asked him if he knew what it was. Rubio said, "if it's the .25.... it's the only one he gots".

Aranda asked who the gun belonged to. After a short hesitation, Rubio answers, "he's always carrying.... I don't know if it's his... one of his friends".

I confirmed with Rubio he was telling us that he didn't bring the gun into the car. I next asked if his fingerprints were going to be on the weapon. Rubio answered, "I have touched that gun before". When asked when was the last time. Rubio answered, "Saturday... when they were talking about coming up there". He also said they were supposed to come up to Camarillo on Friday. I asked what happened, Rubio said that he didn't want to come.

I asked if Peter had the dope back then (Friday), and Rubio answered, "I didn't want to come... I was pushing him aside... both of them (Steve & Peter).

I again asked why Peter wouldn't come up to the area alone. He said Peter was scared because he didn't know him (Steve).

When asked if he told Peter about the first time he came up, he said that he did. When asked what Peter said about that, Rubio said that he figured that if they didn't bust him then (for the ounce) that he wouldn't get "popped" for today.

I asked if Peter had said where he got the dope from. Rubio said that it was from some people out there.

I confirmed with Rubio that Peter brought the dope with him when he got into Rubio's car and they did not go somewhere together to get the dope. Rubio agreed with this and mentioned that they put it in the trunk.

I asked Rubio about looking into the black bag before putting it into the trunk. He said that he didn't.

I asked if Peter said what was in the bag. Rubio said, "since we were going up there that he was taking that". I asked if Peter had said that he had all of it. He said that he did.

I asked if they talked about it being a "rip". He said that they didn't.

13 DATE / TIME OF REPORT 10/25/01	14 REPORTING OFFICER / ID NO / DIV / UNIT T. LORENZEN / 0797 / SS / MAJ CRIMES	15 APPROVED BY / ID NO <i>D.L. Kelley</i>
--------------------------------------	---	--

NARRATIVE REPORT VENTURA COUNTY SHERIFF'S DEPARTMENT

Page 9 of 9 Continuation

AGENCY IDENTIFIER CA0560000

1 R.D.	2 BEAT	3 RB NUMBER
8045 8D01	01	93933

4 CODE	5 ITEM	6 QTY.	7 ITEM NAME	8 BRAND / MAKE MANUFACTURER	9 MODEL NAME OR NUMBER	10 MISC. DESCRIPTION	11 IDENTIFICATION / SERIAL NUMBER	12 VALUE
--------	--------	--------	-------------	-----------------------------	------------------------	----------------------	-----------------------------------	----------

At this time, Det. Carlos Macias (Narcotics) entered the interview room. I introduced Macias to Rubio and explained that Det. Macias was also one of the case agents in the narcotic aspects of this investigation.

Before we started with questions from Det. Macias, we took a short break and stepped out of the interview room for several minutes.

When we came back into the interview room, Det. Macias confronted Rubio about some of his inconsistencies. Macias then told Rubio that he watched him retrieve the "crystal" in the black bag from the trunk of his black T-Bird that was broken down at his residence.

There was additional dialogue with Rubio as to this being his first time and the fact that he was given four pounds. Rubio insisted that he was just the "middleman" with Steve and Peter was the one who had the connection for the dope. He said that Peter didn't want to go see someone in the middle of nowhere, so that's why he (Rubio) went along.

Shortly after this, we ended our interview with Rubio. He was then escorted downstairs and was booked.

The above is only a synopsis of a tape recorded interview and is not verbatim. The tape was given to Sgt. L. Kelley the case agent.

Note: At the beginning of the interview, Rubio speaks in a very low voice and is hard to hear on tape. There is also a buzzing noise in the background of the tape, which makes it difficult to discern some of the conversation.

Refer to Sgt. Aranda's report for statements from Peter Camez.

13 DATE / TIME OF REPORT 10/25/01	14 REPORTING OFFICER / ID NO / DIV / UNIT I. LORENZEN / 0797 / SS / MAJ CRIMES	15 APPROVED BY / ID NO <i>L. Kelley #8522</i>
--------------------------------------	---	--

NARRATIVE REPORT VENTURA COUNTY SHERIFF'S DEPARTMENT

Page 1 of 4 Continuation

AGENCY IDENTIFIER CA0560000

1 R.D. 8045	2 BEAT 8D01	3 RB NUMBER 01-93933
----------------	----------------	-------------------------

4 CODE	5 ITEM	6 QTY.	7 ITEM NAME	8 BRAND / MAKE MANUFACTURER	9 MODEL NAME OR NUMBER	10 MISC. DESCRIPTION	11 IDENTIFICATION / SERIAL NUMBER	12 VALUE
--------	--------	--------	-------------	-----------------------------	------------------------	----------------------	-----------------------------------	----------

- Supplemental Case Cleared
 Gang Domestic Hate Child Abuse Elderly Abuse

Connecting Report Numbers:

Code Section / Description: 245(c) P.C./ ADW On a Peace Officer

Reclassify To:

Code: V-1 Name: Romero, Ray

On 10-22-01, I responded to an officer involved shooting in the area of Del Taco at 121 West Ventura Blvd in the City of Camarillo. Once I arrived, Sgt. Kelley asked me to respond to the hospital where one of the suspects, later identified as Alejandro Rubio, was being treated. I drove to the Ventura County Medical Center (VCMC) in the City of Ventura.

I arrived at VCMC and Rubio was being treated in the emergency room. As Rubio was being treated by Dr. [REDACTED], I heard him say his left shoulder hurt. I did not hear Rubio make any other statements about the incident.

At about 1740 hours, a second suspect, Peter Camez, was transported to the VCMC emergency room. I stood in the area where Camez was being treated. Camez was treated by Dr. [REDACTED] and a nurse, [REDACTED]. I placed a tape recorded on a shelf near Camez's hospital bed. The following is a summary of a tape-recorded conversation between Camez and [REDACTED] and Camez and [REDACTED].

13 DATE / TIME OF REPORT 10/24/01/ 8:44 AM	14 REPORTING OFFICER / ID NO / DIV / UNIT Det. I. Laughlin/#2517/Special Services	15 APPROVED BY / ID NO <i>d.l. Kelley #1822 Sgt</i>
---	--	--

NARRATIVE REPORT VENTURA COUNTY SHERIFF'S DEPARTMENT

Page 2 of 4 Continuation

AGENCY IDENTIFIER CA0560000

1 R.D. 8045	2 BEAT 8D01	3 RB NUMBER 01-93933
----------------	----------------	-------------------------

4 CODE	5 ITEM	6 QTY.	7 ITEM NAME	8 BRAND / MAKE MANUFACTURER	9 MODEL NAME OR NUMBER	10 MISC. DESCRIPTION	11 IDENTIFICATION / SERIAL NUMBER	12 VALUE
--------	--------	--------	-------------	-----------------------------	------------------------	----------------------	-----------------------------------	----------

Camez' Statements at VCMC

During these conversations, there was a lot of background noise, talking and general sounds associated with the operation of the emergency room. The noise effected the quality of the tape-recording and there are portions that are inaudible. I stood outside of the treatment area as [REDACTED] and Camez spoke. [REDACTED] asked Camez what happened. Camez said, "I don't know what happened." [REDACTED] then said to Camez, "You don't know how you got injured?" Camez then said, "Oh yeah, a car accident." [REDACTED] asked Camez a few more questions and Camez said he was not wearing his and was traveling about ten mile per hour.

[REDACTED] asked Camez if he was part of the "shoot out thing." Camez replied, "Na, well, I was in the car, but I did not know anything."

[REDACTED] asked Camez how many "guys" there were in the cars. Camez replied, "Me and my friend." [REDACTED] asked Camez what his friend's name was. Camez replied, "Alex."

[REDACTED] asked Camez if he was sitting in the front seat. Camez said he was getting in the back seat and "he" (Rubio) drove off.

[REDACTED] said, "So, you don't know what was happening, you were just a passenger in the car." Camez said, "No." and then explained that he knew that "he" (Rubio) was trying to drive

13 DATE / TIME OF REPORT

10/24/01/ 8:44 AM

14 REPORTING OFFICER / ID NO / DIV / UNIT

Det. I. Laughlin/#2517/Special Services

15 APPROVED BY / ID NO

[Signature] #112 Sgt

NARRATIVE REPORT VENTURA COUNTY SHERIFF'S DEPARTMENT

Page 3 of 4 Continuation

AGENCY IDENTIFIER CA0560000

1 R.D. 8045	2 BEAT 8D01	3 RB NUMBER 01-93933
----------------	----------------	-------------------------

4 CODE	5 ITEM	6 QTY	7 ITEM NAME	8 BRAND / MAKE MANUFACTURER	9 MODEL NAME OR NUMBER	10 MISC. DESCRIPTION	11 IDENTIFICATION / SERIAL NUMBER	12 VALUE
--------	--------	-------	-------------	-----------------------------	------------------------	----------------------	-----------------------------------	----------

away and (inaudible) smashed and he heard gunshots. Camez made a statement, but it was inaudible and there was a loud beep in the background. Camez then said he felt a "smash" from one side and a "smash" from another side.

At this point, Dr. [REDACTED] began to treat Camez. [REDACTED] asked Camez what happened. Camez replied, "Um, I guess a friend of mine hit a couple cars." Camez explained his friend was trying to get away, and drove into a couple of cars and he heard gunshots.

[REDACTED] asked Camez where he was. Camez said he was in the backseat and he did not want to put his head up. Camez explained as "he" (Rubio) tried to get away, Camez heard a "crunch" and "dodododo" (Camez was making sounds similar to shots being fired) and he put his head down. Camez then heard another "big crunch." [REDACTED] asked Camez if he hit his head or lost consciousness. Camez said he did not and complained of pain in his shoulder and back. [REDACTED] and Camez continued to speak, but the portions were inaudible due to excessive background noise.

Camez made no other significant statements. End of conversations.

13 DATE / TIME OF REPORT 10/24/01/ 8:44 AM	14 REPORTING OFFICER / ID NO / DIV / UNIT Det. I. Laughlin/#2517/Special Services	15 APPROVED BY / ID NO <i>A. K. Kelley #5822 Sgt</i>
---	--	---

NARRATIVE REPORT VENTURA COUNTY SHERIFF'S DEPARTMENT

Page 4 of 4 Continuation

AGENCY IDENTIFIER CA0560000

1 R.D. 8045	2 BEAT 8D01	3 RB NUMBER 01-93933
----------------	----------------	-------------------------

4 CODE	5 ITEM	6 QTY.	7 ITEM NAME	8 BRAND / MAKE MANUFACTURER	9 MODEL NAME OR NUMBER	10 MISC. DESCRIPTION	11 IDENTIFICATION / SERIAL NUMBER	12 VALUE
--------	--------	--------	-------------	-----------------------------	------------------------	----------------------	-----------------------------------	----------

Evidence

Sr. Deputy Davidson was present at VCMC when blood was collected from Rubio and Camez. I took pictures of Camez at VCMC. Deputy Aguilar transported Camez to the Headquarters Station. Camez was handcuffed in interview room number four. Sr. Deputy Davidson and I completed the booking and arrest paperwork.

I booked the blood vials and film into the Ventura Crime lab as evidence. Prior to being interviewed, Sst. Simons and Sst. Knepper took pictures of Camez and Rubio. All of Camez and Rubio's clothing and personal items found on their person were collected and booked as evidence.

Endo of report.

13 DATE / TIME OF REPORT 10/24/01/ 8:44 AM	14 REPORTING OFFICER / ID NO / DIV / UNIT Det. I. Laughlin/#2517/Special Services	15 APPROVED BY / ID NO <i>J. R. Kelley #832 Sgt</i>
---	--	--

NARRATIVE REPORT VENTURA COUNTY SHERIFF'S DEPARTMENT

Page 1 of 1 Continuation

AGENCY IDENTIFIER CA0560000

1 R.D. 8045	2 BEAT 8D	3 RB NUMBER 01-93933
----------------	--------------	-------------------------

4 CODE	5 ITEM	6 QTY.	7 ITEM NAME	8 BRAND / MAKE MANUFACTURER	9 MODEL NAME OR NUMBER	10 MISC. DESCRIPTION	11 IDENTIFICATION / SERIAL NUMBER	12 VALUE
--------	--------	--------	-------------	-----------------------------	------------------------	----------------------	-----------------------------------	----------

- Supplemental Case Cleared
 Gang Domestic Hate Child Abuse Elderly Abuse

Connecting Report Numbers:

Code Section / Description: 182 P.C. / 245 (c)(1) P.C. / 11378 H&S / 11379 H&S / 12031 (a) (1) P.C.

Reclassify To:

Code: V-1 **Name:** Romero, Ray

INITIAL CALL-OUT

On October 22, 2001, at approximately 1615 hours, I received a telephone call from Sheriff's Dispatch. The dispatcher advised me that an officer involved shooting had just occurred in the parking lot of the Del Taco restaurant on Ventura Blvd., in the City of Camarillo.

Several detectives, including myself, from the Major Crimes Bureau responded to this location. Upon my arrival, Sgt. Larry Kelley (case agent) gave me the responsibility to expand the containment of the scene and to remain with the suspect's vehicle.

After technicians from our crime lab processed the scene, Sgt. Mike Powers and I proceeded to seize evidence from the suspect's vehicle. Refer to supplemental report titled, **Evidence Seized from the 1990 Honda Accord / Lic. # [REDACTED]-CA**, for further details.

Sgt. Tim Lorenzen and I were also given the responsibility of interviewing the suspects involved in this case. For details of my interview refer to the supplemental report titled, **INTERVIEW OF A-2 PETER CAMEZ.**

13 DATE / TIME OF REPORT 10/24/01/ 7:49 AM	14 REPORTING OFFICER / ID NO / DIV / UNIT Sgt. M. Aranda/#1840/Special Services	15 APPROVED BY / ID NO Sgt. Del. Ribas 143Y
---	--	--

NARRATIVE REPORT VENTURA COUNTY SHERIFF'S DEPARTMENT

Page 1 of 9 Continuation

AGENCY IDENTIFIER CA0560000

1 R.D. 8045	2 BEAT 8D	3 RB NUMBER 01-93933
----------------	--------------	-------------------------

4 CODE	5 ITEM	6 QTY.	7 ITEM NAME	8 BRAND / MAKE MANUFACTURER	9 MODEL NAME OR NUMBER	10 MISC. DESCRIPTION	11 IDENTIFICATION / SERIAL NUMBER	12 VALUE
--------	--------	--------	-------------	-----------------------------	------------------------	----------------------	-----------------------------------	----------

Supplemental Case Cleared

Gang Domestic Hate Child Abuse Elderly Abuse

Connecting Report Numbers:

Code Section / Description: 182 P.C. / 245 (c)(1) P.C. / 11378 H&S / 11379 H&S / 12031 (a) (1) P.C.

Reclassify To:

Code: V-1 **Name:** Romero, Ray

INTERVIEW OF A-2 PETER CAMEZ

On October 22, 2001, Sgt. Tim Lorenzen and I interviewed A-2 Peter Camez in one of the interview rooms at the West County Police Services Headquarters Station. Peter was the passenger in a vehicle driven by A-1 Alex Rubio, who was arrested for ADW on a peace officer, along with the other charges listed above. The interview was tape-recorded and the following is a synopsis of the taped interview. For complete details refer to the cassette tape, which was placed into evidence.

Initially, Peter was asleep when we entered the room. Sgt. Lorenzen ensured that Peter was awake before we proceeded. I began the interview by reading Peter his rights per Miranda from my department issued card. Peter intelligently waived his rights by saying, "Oh yeah, I'm going to tell you everything I know" (2330 hours).

Sgt. Lorenzen asked Peter to tell us what occurred this afternoon. Peter said he had nothing to do with his "buddy" in the car. Sgt. Lorenzen asked Peter if he was referring to Alex (A-1 Alex Rubio). Peter told us that he saw Alex earlier in the day and was asked (by Alex) if he wanted to accompany him on a drive that was approximately 1 hour away in Ventura.

13 DATE / TIME OF REPORT 10/24/01/ 6:42 AM	14 REPORTING OFFICER / ID NO / DIV / UNIT Sgt. M. Aranda/#1840/Special Services	15 APPROVED BY / ID NO <i>D.R. Kelly #802 JEF</i>
---	--	--

NARRATIVE REPORT VENTURA COUNTY SHERIFF'S DEPARTMENT

Page 2 of 9 Continuation

AGENCY IDENTIFIER CA0560000

1 R.D. 8045	2 BEAT 8D	3 RB NUMBER 01-93933
----------------	--------------	-------------------------

4 CODE	5 ITEM	6 QTY.	7 ITEM NAME	8 BRAND / MAKE MANUFACTURER	9 MODEL NAME OR NUMBER	10 MISC. DESCRIPTION	11 IDENTIFICATION / SERIAL NUMBER	12 VALUE
--------	--------	--------	-------------	-----------------------------	------------------------	----------------------	-----------------------------------	----------

Sgt. Lorenzen asked Peter what time of the day he met with Alex. Peter said he could not remember, but stated that he was showing Alex some speakers in his (Peter's) car when Alex told him he would buy him dinner and give him some Marijuana upon their return.

Alex told us that the purpose of their trip to Ventura was to receive some money from a "white friend" (NFD). Sgt. Lorenzen asked Peter where he resides. Peter said that he lives in Wilmington and Alex is his neighbor.

Sgt. Lorenzen asked Peter how they met on this day. Peter told us that he was driving to his residence when Alex met him. Peter said that they were exchanging comments about each other's car stereo speakers when Alex asked him to accompany him to Ventura. Peter said that he agreed to join Alex on his trip to Ventura.

Sgt. Lorenzen asked Peter how long he has known Alex. Peter responded that he has known Alex for approximately 5 months. Peter told us that Alex is not a childhood friend. Peter said that Alex is merely a neighbor in the complex where they reside.

Sgt. Lorenzen asked Peter why they were traveling to Ventura. Peter again told us that Alex was going to receive some money from a white friend. Peter told us that he did not ask Alex what the money was for or the amount he was going to receive.

Peter said that he told Alex that he would accompany him only if he was able to bring his (Peter's) compact disks. Peter told us that Alex prefers to listen to Spanish music, but he (Peter) does not prefer this type of music. Peter told us that his CD's are in a black case, which was left in Alex' vehicle.

Peter told us that he started to think that something was "fishy" due to meeting Alex' friend in a public place (Del Taco). Peter said that he heard the white guy say something about a motel and this made him even more suspicious. Peter said that Alex told him to sit in the back seat of the car, so his white friend could sit in the front seat. This occurred when they arrived to the

13 DATE / TIME OF REPORT 10/24/01/ 6:42 AM	14 REPORTING OFFICER / ID NO / DIV / UNIT Sgt. M. Aranda/#1840/Special Services	15 APPROVED BY / ID NO <i>[Signature]</i> #1002 Sgt
---	--	--

NARRATIVE REPORT VENTURA COUNTY SHERIFF'S DEPARTMENT

Page 3 of 9 Continuation

AGENCY IDENTIFIER CA0560000

1 R.D. 8045	2 BEAT 8D	3 RB NUMBER 01-93933
----------------	--------------	-------------------------

4 CODE	5 ITEM	6 QTY.	7 ITEM NAME	8 BRAND / MAKE MANUFACTURER	9 MODEL NAME OR NUMBER	10 MISC. DESCRIPTION	11 IDENTIFICATION / SERIAL NUMBER	12 VALUE
--------	--------	--------	-------------	-----------------------------	------------------------	----------------------	-----------------------------------	----------

Del Taco parking lot area. Sgt Lorenzen asked Peter why he was told to sit in the back seat. Peter responded by telling us that Alex and his friend were going to count money. Peter told us that he did not know how much money Alex was receiving from his friend.

Sgt. Lorenzen asked Peter what occurred after they contacted Alex' white friend. Peter said that "a bunch of dudes came out with uh, big ole automatic weapons" and Alex drove off. Peter said he did not realize what Alex was doing, when all of a sudden, he heard a gunshot and then another gunshot. Peter told us that he put his head down and then felt Alex' vehicle become involved in two separate collisions. Peter said, "I heard you guys shooting at us and that was it. I didn't want to be part of that. At all. As soon as he (Alex) stopped, I put my hands out the window and that was it."

Sgt. Lorenzen asked Peter when they met Steve (Alex' white friend) how did he know something was wrong. Peter told us that he felt something was "fishy" when Steve told Alex that they could "do this at a motel." Peter told us that he was sure we have the situation recorded.

Sgt. Lorenzen asked Peter what he meant by, "you guys." Peter said that he saw the "cars" and heard the people yelling, "Police Officers or Sheriffs."

Sgt. Lorenzen asked Peter if he said anything to Alex. Peter said that he asked Alex "what are you doing?" Peter said that Alex went one way (through the Del Taco parking lot) and realized it was the wrong way and yelled, "shit." Peter said that he heard one of the officers shoot out the tire (NFD). Peter said that once he heard the officers shooting, he feels "lucky that I'm here right now." Peter thought that once the shooting began, the other officers would get "trigger-happy" and continue shooting.

Peter said that he ducked behind a child car seat (located inside the vehicle) and heard Alex' vehicle stop due to a collision. Peter said that he placed his hands out a window and that was it.

13 DATE / TIME OF REPORT 10/24/01/ 6:42 AM	14 REPORTING OFFICER / ID NO / DIV / UNIT Sgt. M. Aranda/#1840/Special Services	15 APPROVED BY / ID NO <i>R. Kelley #182 Sgt</i>
---	--	---

NARRATIVE REPORT VENTURA COUNTY SHERIFF'S DEPARTMENT

Page 4 of 9 Continuation

AGENCY IDENTIFIER CA0560000

1 R.D. 8045	2 BEAT 8D	3 RB NUMBER 01-93933
----------------	--------------	-------------------------

4 CODE	5 ITEM	6 QTY.	7 ITEM NAME	8 BRAND / MAKE MANUFACTURER	9 MODEL NAME OR NUMBER	10 MISC. DESCRIPTION	11 IDENTIFICATION / SERIAL NUMBER	12 VALUE
--------	--------	--------	-------------	-----------------------------	------------------------	----------------------	-----------------------------------	----------

Peter told us that he is not aware of Alex' business or why the events unfolded as they did. Peter said he did not have anything to do with what occurred. Peter told us that he was there only as a companion for Alex while he received some money.

Sgt. Lorenzen asked Peter if they went to any other location when they arrived in the City of Camarillo. Peter said that they did not stop at any other location in Camarillo. Peter then recanted and said that they might have stopped at a gas station (NFD). Peter said that he did not pay attention, but Alex did exit their vehicle.

Sgt. Lorenzen asked Peter if he saw Alex go to and open the trunk of their vehicle. Peter said that he was not paying attention and could not tell us for sure if Alex went to the trunk of their car.

Sgt. Lorenzen asked Peter if he and Alex had any discussions while they were enroute to Camarillo. Peter said that they talked about situations at home and as far as he knew, Alex was going to receive some money from Steve. Peter said that he was listening to his music most of the time while they were traveling to Camarillo.

Sgt. Lorenzen asked Peter if he was the front passenger during their trip. Peter acknowledged that he was the front passenger.

Sgt. Lorenzen asked Peter if he saw a black bag in the front seat. Peter said he did not see a black bag. Peter stated that he was only aware of a blue CD case and his black CD case. Peter did say that he saw Alex reach into the back seat for a bag while Peter was changing his seating position to the back seat.

Sgt. Lorenzen asked Peter if he ever saw or touched the contents of this bag. Peter told us that he did not and even stated that we could check the bag and the contents for his prints.

13 DATE / TIME OF REPORT 10/24/01/ 6:42 AM	14 REPORTING OFFICER / ID NO / DIV / UNIT Sgt. M. Aranda/#1840/Special Services	15 APPROVED BY / ID NO <i>A.R. Kelley #1805 Sgt</i>
---	--	--

NARRATIVE REPORT VENTURA COUNTY SHERIFF'S DEPARTMENT

Page 5 of 9 Continuation

AGENCY IDENTIFIER CA0560000

1 R.D. 8045	2 BEAT 8D	3 RB NUMBER 01-93933
----------------	--------------	-------------------------

4 CODE	5 ITEM	6 QTY.	7 ITEM NAME	8 BRAND / MAKE MANUFACTURER	9 MODEL NAME OR NUMBER	10 MISC. DESCRIPTION	11 IDENTIFICATION / SERIAL NUMBER	12 VALUE
--------	--------	--------	-------------	-----------------------------	------------------------	----------------------	-----------------------------------	----------

Sgt. Lorenzen asked Peter if they ever discussed "dope" between themselves. Peter said that he did not get into Alex' business. However, Peter did say that he has smoked Marijuana with Alex in the past.

Sgt. Lorenzen asked Peter if he has ever done any business with "Crystal" (Methamphetamine). Peter said that he did not, but knew it was a stimulant. Peter told us that he was aware of that due to his mother using this drug in the past.

Sgt. Lorenzen asked Peter why he was told to get into the backseat of the car. Peter said that Alex asked him to get in the back seat in order for Steve to sit in the front seat. Peter told us that Steve never entered the car. Peter said that he heard Alex tell Steve that he took "forever" to arrive

Peter told us that the other reason he felt the situation was "fishy" was due to the transaction taking place in a public location. Peter told us that he did not understand why they had to meet in a public place just to receive money. Peter said that he just kept his "mouth shut."

Sgt. Lorenzen asked Peter if he felt Alex was receiving money for nothing. Peter said that he felt they had some "type of business" but he was unaware of the circumstances. Peter said that he still does not know what occurred.

Sgt. Lorenzen asked Peter what was going through his mind when the shooting started. Peter said that he was scared and felt that he was going to be shot. Peter told us that he did not know why "homeboy" (Alex) would try to leave "with that many guns pointed at us."

Sgt. Lorenzen asked Peter if he could hear what the officers were saying. Peter said he heard them say, "get out the car, or put your hands up." Peter told us that Alex "boned out" (accelerated the vehicle) and the shooting and collisions followed. Peter said that he was unaware if Alex hit one of the officers due to him (Alex) putting his head down.

13 DATE / TIME OF REPORT 10/24/01/ 6:42 AM	14 REPORTING OFFICER / ID NO / DIV / UNIT Sgt. M. Aranda/#1840/Special Services	15 APPROVED BY / ID NO <i>D.R. Kelley #800 Agt</i>
---	--	---

NARRATIVE REPORT VENTURA COUNTY SHERIFF'S DEPARTMENT

Page 6 of 9 Continuation

AGENCY IDENTIFIER CA0560000

1 R.D. 8045	2 BEAT 8D	3 RB NUMBER 01-93933
----------------	--------------	-------------------------

4 CODE	5 ITEM	6 QTY.	7 ITEM NAME	8 BRAND / MAKE MANUFACTURER	9 MODEL NAME OR NUMBER	10 MISC. DESCRIPTION	11 IDENTIFICATION / SERIAL NUMBER	12 VALUE
--------	--------	--------	-------------	-----------------------------	------------------------	----------------------	-----------------------------------	----------

Sgt. Lorenzen asked Peter if he heard Alex say that the cops were coming. Peter told us that this was not the case. Peter told us that the events happened very fast.

Sgt. Lorenzen asked Peter what he saw when the officers approached their vehicle. Peter told us that he saw 3 or 4 officers with "big ole guns" pointed at the car. Peter said he did not know why Alex began to drive away.

Sgt. Lorenzen asked Peter how he knew they were "cops." Peter said that they had guns, yellow lettering, and shields. Peter said there was no doubt in his mind the individuals were law enforcement officers or special team members. Peter told us that he has never been in a situation like this and his nerves are still rattled.

I asked Peter if he told Alex to stop. Peter said that he asked Alex, "What are you doing?" Peter said that he asked Alex what he was doing when he started to drive away, prior to the shooting and collisions. Peter thought once the first shot was fired, the officers would "light up the whole car and I thought one of the bullets are going to pierce me and I knew those were some heavy guns. I'm just lucky to be alive."

I asked Peter if he and Alex had any weapons. Peter told us that he was not aware of any weapons. I asked Peter if he has seen Alex with any weapons. Peter told us that he has not.

I asked Peter what he would tell us if we found a weapon in the car and it had his prints on it. Peter told us that we could examine the gun for his prints. Peter said that the car does not belong to him and he is not aware of what Alex had in the vehicle. I again asked Peter what he would tell us if his prints were found on the gun. Peter said that his prints would not be found on the gun.

I asked Peter why someone would tell us that he is the owner of the gun. Peter replied surprisingly, "Is that right? Is that what he told you?" Peter then told us to examine the gun and

13 DATE / TIME OF REPORT 10/24/01/ 6:42 AM	14 REPORTING OFFICER / ID NO / DIV / UNIT Sgt. M. Aranda/#1840/Special Services	15 APPROVED BY / ID NO <i>J. R. Kelley #1822 def</i>
---	--	---

NARRATIVE REPORT VENTURA COUNTY SHERIFF'S DEPARTMENT

Page 7 of 9 Continuation

AGENCY IDENTIFIER CA0560000

1 R.D. 8045	2 BEAT 8D	3 RB NUMBER 01-93933
----------------	--------------	-------------------------

4 CODE	5 ITEM	6 QTY.	7 ITEM NAME	8 BRAND / MAKE MANUFACTURER	9 MODEL NAME OR NUMBER	10 MISC. DESCRIPTION	11 IDENTIFICATION / SERIAL NUMBER	12 VALUE
--------	--------	--------	-------------	-----------------------------	------------------------	----------------------	-----------------------------------	----------

his prints would not be found. Sgt. Lorenzen asked Peter if he has touched the gun. Peter said he did not know there was a gun.

Sgt. Lorenzen asked Peter why the gun was found near the back seat of the vehicle where he was sitting. Peter again told us that he was not aware of a gun. Peter said that he was originally in the front seat. Sgt. Lorenzen countered that he (Peter) was then seated in the back seat. Peter replied that he did this because he was told to sit there by Alex.

Peter told us that if he placed the gun in this location, his prints will be found on the gun. Peter also said that he was "caught in the wrong place at the wrong time, I messed up. "

Sgt. Lorenzen asked Peter if he and Alex stopped at a store prior to arriving in Camarillo. I continued by asking Peter what he would say if someone saw him and Alex at a market prior to coming to Camarillo. Peter stated that he had no clue.

I asked Peter if he was also telling us that his prints would also not be found on any of the narcotics. Peter told us that his prints will not be on the narcotics. I asked Peter what he would say if his prints were found on these items. Peter told me that he would not say anything because his prints will not be found.

Sgt. Lorenzen emphatically asked Peter if he joined Alex to complete a narcotics transaction. Peter denied that this was the case.

Sgt. Lorenzen asked Peter if he rode with Alex for security reasons. Peter also told us that this was not then case.

I asked Peter who owned the black cellular telephone found in the vehicle. Peter said that this telephone was his and the gray colored cellular telephone belonged to Alex.

I asked Peter if he had anything to add. Peter told me that he did not.

13 DATE / TIME OF REPORT 10/24/01/ 6:42 AM	14 REPORTING OFFICER / ID NO / DIV / UNIT Sgt. M. Aranda/#1840/Special Services	15 APPROVED BY / ID NO <i>A. R. Kelley #852 Sgt</i>
---	--	--

NARRATIVE REPORT VENTURA COUNTY SHERIFF'S DEPARTMENT

Page 8 of 9 Continuation

AGENCY IDENTIFIER CA0560000

1 R.D. 8045	2 BEAT 8D	3 RB NUMBER 01-93933
----------------	--------------	-------------------------

4 CODE	5 ITEM	6 QTY.	7 ITEM NAME	8 BRAND / MAKE MANUFACTURER	9 MODEL NAME OR NUMBER	10 MISC. DESCRIPTION	11 IDENTIFICATION / SERIAL NUMBER	12 VALUE
--------	--------	--------	-------------	-----------------------------	------------------------	----------------------	-----------------------------------	----------

At this point, we took a break in the interview and returned a short while later.

Sgt. Lorenzen asked Peter if they went to an Albertson's grocery store prior to traveling to Camarillo. Peter told us that they did, but he did not enter the market. Peter said that Alex did enter the store, but he did not pay attention to what Alex bought.

Sgt. Lorenzen told Peter that it was hard for us to believe that he did not know what Alex was doing. Sgt. Lorenzen advised Peter that Alex told us that he (Peter) was the supplier of the narcotics. Peter told us that he is not aware of what Alex is saying. Peter told us that Alex is saying that out of fear. Peter said that our recorders will "clearly" reveal that Alex was the person dealing with Steve.

Sgt. Lorenzen told Peter that Alex told us that he (Peter) was the supplier of the narcotics. Peter denied being the supplier and said Alex was selling him out. Peter said that "dope" and the gun were found in his car and he (Alex) was the one that attempted to flee from the law.

Sgt. Lorenzen asked Peter how the gun ended up being found directly in front of him. Peter said that when we print the gun, the evidence will show that the gun is not his. Peter said that he was upset that Alex would try to place the blame on him. Peter told us that he was being truthful with us and would comply with a Gun Shot Residue (GSR) test.

Sgt. Lorenzen asked Peter if he was aware Alex was dealing narcotics. Peter said he does not know what Alex does for a living. Peter told us he is only aware that Peter has a nice car.

Sgt. Lorenzen asked Peter if the Honda (Alex' car) belongs to Alex. Peter said that as far as he is aware the Honda belongs to Alex. Peter said that he has always seen Alex drive this car. Sgt. Lorenzen asked Peter if the Honda might belong to someone else. Peter told us that he has no knowledge of this.

13 DATE / TIME OF REPORT 10/24/01/ 6:42 AM	14 REPORTING OFFICER / ID NO / DIV / UNIT Sgt. M. Aranda/#1840/Special Services	15 APPROVED BY / ID NO <i>F.R. Kelley #1825 dgt</i>
---	--	--

NARRATIVE REPORT VENTURA COUNTY SHERIFF'S DEPARTMENT

Page 9 of 9

Continuation

AGENCY IDENTIFIER CA0560000

1 R.D. 8045	2 BEAT 8D	3 RB NUMBER 01-93933
----------------	--------------	-------------------------

4 CODE	5 ITEM	6 QTY.	7 ITEM NAME	8 BRAND / MAKE MANUFACTURER	9 MODEL NAME OR NUMBER	10 MISC. DESCRIPTION	11 IDENTIFICATION / SERIAL NUMBER	12 VALUE
--------	--------	--------	-------------	-----------------------------	------------------------	----------------------	-----------------------------------	----------

Sgt. Lorenzen asked Peter if he and Alex "party" together. Peter said that Alex is older and has different likes and dislikes than himself. Peter said that Alex prefers Spanish music and he prefers Rap.

For the remainder of the interview, we answered Peter's questions regarding the booking process. A short time later, Peter and Alex were booked into the Ventura County Pre-Trail Detention Facility without incident.

Interview concluded.

13 DATE / TIME OF REPORT

10/24/01/ 6:42 AM

14 REPORTING OFFICER / ID NO / DIV / UNIT

Sgt. M. Aranda/#1840/Special Services

15 APPROVED BY / ID NO

A.K. Kelley #822 Sgt

NARRATIVE REPORT VENTURA COUNTY SHERIFF'S DEPARTMENT

Page 4 of 8 Continuation

AGENCY IDENTIFIER CA0560000

1 R.D. 8045	2 BEAT 8D01	3 RB NUMBER 01-93933
----------------	----------------	-------------------------

4 CODE	5 ITEM	6 QTY.	7 ITEM NAME	8 BRAND / MAKE MANUFACTURER	9 MODEL NAME OR NUMBER	10 MISC. DESCRIPTION	11 IDENTIFICATION / SERIAL NUMBER	12 VALUE
--------	--------	--------	-------------	-----------------------------	------------------------	----------------------	-----------------------------------	----------

- Supplemental Case Cleared
 Gang Domestic Hate Child Abuse Elderly Abuse

Connecting Report Numbers:

Code Section / Description: 182, 245(c)(1), 12031(a)(1) PC, 11378, 11379 H&S

Reclassify To:

Code: V-1 **Name:** Romero, Ray

10-22-01

Tape Recorded Statement of:

DOB: [REDACTED] (CDL# [REDACTED])

Fillmore, CA

Home Phone: [REDACTED]

Cell Phone: [REDACTED]

[REDACTED] contacted me at the scene asking when he could move his truck, which was within the crime scene tape. I told him that it would be a while and asked him if he had seen anything. [REDACTED] told me he had seen and more heard things related to the shooting that had occurred in the area of his pick-up truck.

I asked [REDACTED] about what he saw and heard relating to the shooting. [REDACTED] said that he and some friends from his school, Saint Bonaventure High School, got out of school at 1440 hours today as they do every school day. [REDACTED] said he drove his friend David Gershater and got some Krispy Kreme doughnuts and then drove to the Del Taco parking lot. [REDACTED] said he parked his black Chevrolet pick-up in the same position it was parked during my interview with him. [REDACTED] said he looked at his cell phone and noted the time was between 1510 -1515 hours.

13 DATE / TIME OF REPORT 10/24/01/ 6:32 PM	14 REPORTING OFFICER / ID NO / DIV / UNIT Sgt. M. Powers / #1365 / Special Services	15 APPROVED BY / ID NO [Signature] #184
---	--	--

NARRATIVE REPORT VENTURA COUNTY SHERIFF'S DEPARTMENT

Page 2 of 8

Continuation

AGENCY IDENTIFIER CA0560000

1 R.D.	2 BEAT	3 RB NUMBER
8045	8D01	01-93933

4 CODE	5 ITEM	6 QTY.	7 ITEM NAME	8 BRAND / MAKE MANUFACTURER	9 MODEL NAME OR NUMBER	10 MISC. DESCRIPTION	11 IDENTIFICATION / SERIAL NUMBER	12 VALUE
--------	--------	--------	-------------	-----------------------------	------------------------	----------------------	-----------------------------------	----------

██████████ said ██████████ parked his blue Trailblazer near ██████████'s pick-up. ██████████'s other friend ██████████ (spelling?) parked his BMW 330ci and parked it next to Todey's car and Jeff Stoll parked his black Chevrolet pick-up next in the same area. After chatting about 5-10 minutes, ██████████ and his friends went into Del Taco. ██████████ ordered a burrito and his friends ordered some food. ██████████ said after about 5-10 minutes, they exited Del Taco going back to their cars and talked.

██████████ said he noticed a male standing outside smoking a cigar next to (Det. Capuano's) green Ford F-150 pick-up. ██████████ said ██████████ asked him if he wanted to go with him to get his (██████████) BMW washed at the Union 76 car wash directly across Las Posas Rd. from Del Taco. ██████████ said he went with ██████████ because he liked ██████████ BMW. ██████████ said ██████████ went with ██████████ and him to the car wash.

██████████ said that within 30 seconds of their exiting ██████████ car at the car wash, he heard some gunshots. ██████████ said he heard a burst of 3-4 shots, a pause, 1-2 gunshots, another pause and then a final gunshot. ██████████ said he didn't hear anything before the gunshots and couldn't hear anything other than the gunshots during the gunfire because of the noise of the gunfire. ██████████ said that after the gunshots he also heard some muffled yelling, but he couldn't make out the words being yelled. ██████████ said it sounded like someone was yelling for someone else to "get down" but he couldn't say for sure what he heard. ██████████ said he heard vehicles moving but he didn't know if it was before or after (the gunshots).

██████████ said that none of the cars, other than the green Ford pick-up were around his car prior to ██████████ going to the carwash. ██████████ didn't see the suspect "silver Nissan Maxima" prior to leaving for the car wash. ██████████ said he didn't notice the black Dodge Dakota or silver Chevrolet Silverado pick-ups prior to going to the carwash. ██████████ added that there were other cars parked around the parking lot.

13 DATE / TIME OF REPORT	14 REPORTING OFFICER / ID NO / DIV / UNIT	15 APPROVED BY / ID NO
10/24/01/ 6:32 PM	Sgt. M. Powers/#1365/Special Services	Sgt. M. Powers #1846

NARRATIVE REPORT VENTURA COUNTY SHERIFF'S DEPARTMENT

Page 3 of 8

Continuation

AGENCY IDENTIFIER CA0560000

1 R.D.	2 BEAT	3 RB NUMBER
8045	8D01	01-93933

4 CODE	5 ITEM	6 QTY.	7 ITEM NAME	8 BRAND / MAKE MANUFACTURER	9 MODEL NAME OR NUMBER	10 MISC. DESCRIPTION	11 IDENTIFICATION / SERIAL NUMBER	12 VALUE
--------	--------	--------	-------------	-----------------------------	------------------------	----------------------	-----------------------------------	----------

██████████ said after hearing the shots, he and his friends ran up the hill from the car wash and looked toward Del Taco once they got onto Las Posas Rd. ██████████ said he could only see between Del Taco and the Pier 1 Imports store. ██████████ said the Del Taco overhang was partially obstructing his view.

██████████ said within about 15 seconds of hearing the gunshots, he heard sirens and he saw police cars coming W/B on Las Posas Rd. over the freeway into the Del Taco parking lot. ██████████ said that he saw a white male with grayish hair wearing a dark green and dark red plaid shirt leaning over a guy who was on the ground (Det. Romero). ██████████ said that he later (mistakenly) found out the person who the guy in the plaid shirt was leaning over was the person who had been shot. ██████████ said that he then walked across the street and asked a police officer about retrieving his pick-up. ██████████ said the paramedics responded about 4 minutes later and tended to the man on the ground. ██████████ said that I might want to speak to his friend ██████████ who was inside Pier 1 Imports.

13 DATE / TIME OF REPORT 10/24/01/ 6:32 PM	14 REPORTING OFFICER / ID NO / DIV / UNIT Sgt. M. Powers/#1365/Special Services	15 APPROVED BY / ID NO <i>[Signature]</i> #1846
---	--	--

NARRATIVE REPORT VENTURA COUNTY SHERIFF'S DEPARTMENT

Page 4 of 8

Continuation

AGENCY IDENTIFIER CA0560000

1 R.D.	2 BEAT	3 RB NUMBER
8045	8D01	01-93933

4 CODE	5 ITEM	6 QTY.	7 ITEM NAME	8 BRAND / MAKE MANUFACTURER	9 MODEL NAME OR NUMBER	10 MISC. DESCRIPTION	11 IDENTIFICATION / SERIAL NUMBER	12 VALUE
--------	--------	--------	-------------	-----------------------------	------------------------	----------------------	-----------------------------------	----------

10-22-01

Tape Recorded Statement of:

[REDACTED]

DOB: [REDACTED]

[REDACTED]

Camarillo, CA 93010

Home Phone: [REDACTED]

[REDACTED] got out of school with [REDACTED] at about 1440 hours. [REDACTED] rode with [REDACTED] to Krispy Kreme doughnuts and got some doughnuts. Then they drove to Del Taco and parked where [REDACTED]'s truck now was. They ate some of the doughnuts and left some uneaten in the truck. [REDACTED] and his friends went inside Del Taco and got food and talked for about 10-20 minutes.

[REDACTED] said that he and his friends went back to [REDACTED]'s pick-up, put the pick-up tailgate down and sat on it and talked for a while. [REDACTED] said the only cars that were there when he and his friends were there, were a blue Honda Civic and a purple small family van, parked near the Del Taco entrance. [REDACTED] said he believed the (Capuano's) green Ford pick-up was parked where it is now. [REDACTED] didn't see the silver Chevrolet Silverado pick-up, black Dodge Dakota pick-up, green Dodge family van while they sat on [REDACTED]'s tailgate. They called Greg [REDACTED] and he came to Del Taco with them. Walski talked to them for a while and then said he had to get his car cleaned and invited them to come with him. [REDACTED] and [REDACTED] got into the car with [REDACTED]. They drove to the car wash (across the street).

[REDACTED] said while at the carwash, he heard about 5-6 gunshots. [REDACTED] described the gunshots as being in succession with momentary pauses between them. [REDACTED] said that there was a hill (Las Posas Rd.) between him and the gunshots. [REDACTED] said after hearing the shots, they ran up a hill and looked toward Del Taco. [REDACTED] said that he is nearsighted and his glasses allowing him to see distances were in [REDACTED]'s pick-up in his backpack. [REDACTED] said when the police were responding to the scene, he heard some yelling, but he

13 DATE / TIME OF REPORT	14 REPORTING OFFICER / ID NO / DIV / UNIT	15 APPROVED BY / ID NO
10/24/01/ 6:32 PM	Sgt. M. Powers/#1365/Special Services	[Signature] #1340

NARRATIVE REPORT VENTURA COUNTY SHERIFF'S DEPARTMENT

Page 5 of 8

Continuation

AGENCY IDENTIFIER CA0560000

1 R.D.	2 BEAT	3 RB NUMBER
8045	8D01	01-93933

4 CODE	5 ITEM	6 QTY.	7 ITEM NAME	8 BRAND / MAKE MANUFACTURER	9 MODEL NAME OR NUMBER	10 MISC. DESCRIPTION	11 IDENTIFICATION / SERIAL NUMBER	12 VALUE
--------	--------	--------	-------------	-----------------------------	------------------------	----------------------	-----------------------------------	----------

couldn't make out the words being yelled. [REDACTED] didn't hear any vehicles or banging around the time the gunshots were fired.

13 DATE / TIME OF REPORT

10/24/01/ 6:32 PM

14 REPORTING OFFICER / ID NO / DIV / UNIT

Sgt. M. Powers/#1365/Special Services

15 APPROVED BY / ID NO

Sgt. M. Powers #1365

NARRATIVE REPORT VENTURA COUNTY SHERIFF'S DEPARTMENT

Page 6 of 8 Continuation

AGENCY IDENTIFIER CA0560000

1 R.D. 8045	2 BEAT 8D01	3 RB NUMBER 01-93933
----------------	----------------	-------------------------

4 CODE	5 ITEM	6 QTY.	7 ITEM NAME	8 BRAND / MAKE MANUFACTURER	9 MODEL NAME OR NUMBER	10 MISC. DESCRIPTION	11 IDENTIFICATION / SERIAL NUMBER	12 VALUE
--------	--------	--------	-------------	-----------------------------	------------------------	----------------------	-----------------------------------	----------

10-22-01

Tape Recorded Statement of:

████████████████████
 ██████████ (CDL# ██████████)
 ██████████

Camarillo, CA 93010

Home Phone: ██████████

Cell Phone: ██████████

█████ goes to Saint Bonaventure High School. From school █████ dropped a friend off in Sterling Hills (in North Camarillo) then went to Del Taco afterwards and met with his school friends in the parking lot. █████ parked his black Chevrolet pick-up next to Untersee's black pick-up. █████ said that they were supposed to meet █████ █████ at Del Taco. Before going into Del Taco, they saw three friends, █████ █████ █████ and another female whose name he didn't remember. █████ said they talked in the parking lot for a while until █████ arrived.

█████ said when █████ arrived, they went into Del Taco for about 20 minutes, then came back to the parking lot. That was when █████ arrived in his BMW. They continued to talk in the parking lot. █████ said █████ and two others (Untersee and Gershater) got into █████'s car and left. █████ said he drove his pick-up over to the Pier 1 Imports parking lot, toward the center of the parking lot.

█████ went into Pier 1 Imports. While inside the store, █████ heard "what sounded like a hammer" banging consecutively. █████ estimated he heard 5-8 bangs that sounded like a hammer. █████ said they (Pier 1 employees) locked the doors. █████ said Walski called him on his cell phone telling █████ there had been shots fired and asked him what he could see. █████ looked out the window of the store. █████ saw a man on the ground near the Gray Chevrolet Silverado (Sgt. Blanchard's pick-up) and Untersee's pick-up. █████ said that the man on the ground (Det.

13 DATE / TIME OF REPORT 10/24/01/ 6:32 PM	14 REPORTING OFFICER / ID NO / DIV / UNIT Sgt. M. Powers/#1365/Special Services	15 APPROVED BY / ID NO <i>[Signature]</i> #1840
---	--	--

NARRATIVE REPORT VENTURA COUNTY SHERIFF'S DEPARTMENT

Page 7 of 8 Continuation

AGENCY IDENTIFIER CA0560000

1 R.D. 8045	2 BEAT 8D01	3 RB NUMBER 01-93933
----------------	----------------	-------------------------

4 CODE	5 ITEM	6 QTY.	7 ITEM NAME	8 BRAND / MAKE MANUFACTURER	9 MODEL NAME OR NUMBER	10 MISC. DESCRIPTION	11 IDENTIFICATION / SERIAL NUMBER	12 VALUE
--------	--------	--------	-------------	-----------------------------	------------------------	----------------------	-----------------------------------	----------

Romero) didn't look like he was in good shape. [REDACTED] said that he saw the man on the ground (Det. Romero) was bleeding from both knees.

[REDACTED] said he didn't hear any vehicles, driving, screeching or banging about the same time he heard the shots. [REDACTED] said he didn't see anyone shoot at anybody. [REDACTED] said he didn't see anybody chasing anybody. [REDACTED] said that the shooting happened just after they left the parking lot. [REDACTED] said there was no warning such as words being yelled that preceded the shooting. [REDACTED] said he didn't see any of the involved vehicles prior to the shooting.

13 DATE / TIME OF REPORT 10/24/01/ 6:32 PM	14 REPORTING OFFICER / ID NO / DIV / UNIT Sgt. M. Powers/#1365/Special Services	15 APPROVED BY / ID NO <i>[Signature]</i> Sgt. M. Hale #1840
---	--	---

NARRATIVE REPORT VENTURA COUNTY SHERIFF'S DEPARTMENT

Page 8 of 8

Continuation

AGENCY IDENTIFIER CA0560000

1 R.D.	2 BEAT	3 RB NUMBER
8045	8001	01-93933

4 CODE	5 ITEM	6 QTY.	7 ITEM NAME	8 BRAND / MAKE MANUFACTURER	9 MODEL NAME OR NUMBER	10 MISC. DESCRIPTION	11 IDENTIFICATION / SERIAL NUMBER	12 VALUE
--------	--------	--------	-------------	-----------------------------	------------------------	----------------------	-----------------------------------	----------

10-22-01

Tape Recorded Statement of:

[REDACTED]
[REDACTED]
[REDACTED]

Murrieta, CA 92562

Home Phone: [REDACTED]

Work Phone: [REDACTED]

[REDACTED] said he was traveling through Camarillo today shortly before 1600 hours and stopped at Del Taco to use the bathroom and get a soft drink. [REDACTED] parked his car in the Del Taco parking lot. [REDACTED] went from his car to the restroom. While inside the Del Taco restroom, he heard what sounded like a "bunch of firecrackers going off." [REDACTED] said he heard one burst of 3-4 shots followed by a silence. During this time, [REDACTED] heard the Del Taco employees yelling for everybody to get away from the door. [REDACTED] said he heard another burst of shots that "were so close together it was hard to count them."

[REDACTED] said he didn't hear any cars driving around or tires screeching. [REDACTED] said the only voices he heard were from the employees inside the restaurant. [REDACTED] said when he went outside and stood between the two pillars at the entrance of Del Taco, he saw a bunch of police dressed in police vests and police hats running around. [REDACTED] said that one (officer) came and asked if everyone was all right and strung the police crime scene tape up and another Officer asked [REDACTED] his name and took his business card and a statement.

13 DATE / TIME OF REPORT	14 REPORTING OFFICER / ID NO / DIV / UNIT	15 APPROVED BY / ID NO
10/24/01/ 6:32 PM	Sgt. M. Powers/#1365/Special Services	[Signature] #1840

NARRATIVE REPORT VENTURA COUNTY SHERIFF'S DEPARTMENT

Page 1 of 3 Continuation

AGENCY IDENTIFIER CA0560000

1 R.D. 8045	2 BEAT 8D	3 RB NUMBER 2001-98933
----------------	--------------	---------------------------

4 CODE	5 ITEM	6 QTY.	7 ITEM NAME	8 BRAND / MAKE MANUFACTURER	9 MODEL NAME OR NUMBER	10 MISC. DESCRIPTION	11 IDENTIFICATION / SERIAL NUMBER	12 VALUE
--------	--------	--------	-------------	-----------------------------	------------------------	----------------------	-----------------------------------	----------

Supplemental **Case Closed**

Gang **Domestic** **Hate** **Child Abuse** **Elderly Abuse**

Connecting Report Numbers:

Code Section / Description:

Code: Name:

On 10-22-2001, at about 1555 hours, I responded to "Del Taco" at the Target Center in Camarillo, to assist in the investigation of an officer involved shooting.

Upon arriving at the location, I was assigned to gather witnesses' information and statements. I spoke with the following witnesses:

██████████ DOB. ██████████
 W-M-5'05-130-Bro-Bro
 ██████████ Arroyo Grande Ca. 93420
 Home phone: (██████████)
 (██████████)
 CDL. ██████████

██████████ DOB. ██████████
 H-F-5'03-175-Blk-Bro
 ██████████ Oxnard, Ca. 93030
 Home Phone: (██████████)
 Business # : (██████████)
 CDL.# ██████████

██████████ DOB. ██████████
 H-M-6'03-165-Blk-Bro
 ██████████ La Puente, Ca. 91744
 Home Phone: (██████████)
 CDL.# ██████████

VENTURA COUNTY SHERIFF
 RECORD BUREAU COPY
 NOT TO BE DUPLICATED
 TO: MC
 BY: CP
 DATE: 10-24-01

13 DATE / TIME OF REPORT 10-23-2001 @ 1430	14 REPORTING OFFICER / ID NO / DIV / UNIT SAN JOSE # 1541 CAM-DET.	15 APPROVED BY / ID NO <i>[Signature]</i>
---	---	--

NARRATIVE REPORT VENTURA COUNTY SHERIFF'S DEPARTMENT

Page 2 of 3 Continuation

AGENCY IDENTIFIER CA0560000

1 R.D.	2 BEAT	3 RB NUMBER
8045	80	2001-93933

4 CODE	5 ITEM	6 QTY.	7 ITEM NAME	8 BRAND / MAKE MANUFACTURER	9 MODEL NAME OR NUMBER	10 MISC. DESCRIPTION	11 IDENTIFICATION / SERIAL NUMBER	12 VALUE
--------	--------	--------	-------------	-----------------------------	------------------------	----------------------	-----------------------------------	----------

statements:

On 10-22-2001, at about 1550 hours, [REDACTED] was walking his dog in the parking lot of Del Taco. [REDACTED] was standing with his dog at the South/East entrance to the parking lot of Del Taco.

[REDACTED] said he saw several police officers in a green van. [REDACTED] assumed the occupants in the van were police officers because they were wearing vest and jackets with police and sheriff's markings.

[REDACTED] saw the green van pulled in behind a silver Honda. Several police and Sheriff's officers came out of the green van and ordered the two occupants of the silver Honda to step out of the car.

[REDACTED] described the driver of the silver Honda as Hispanic male (no further description). [REDACTED] was certain that there was a passenger in the front seat of the silver Honda. However, [REDACTED] was unable to describe the passenger.

[REDACTED] heard the police officers yell several times for the occupants of the silver Honda to step out of the car. The occupants of the silver Honda refused to comply.

[REDACTED] saw the silver Honda speed off eastbound into the parking lot. The silver Honda then tried to drive into the Del Taco drive through exit. The silver Honda quickly made a northbound three point turn back into the parking lot. [REDACTED] heard one gun shot and then saw the silver Honda crashed into a dark colored Surbarban or truck.

[REDACTED] did not have any further information.

Statements:

On 10-22-2001, [REDACTED] was working at the "Pier One Imports." At approximately 1600 hours, [REDACTED] saw an unidentified customer walk into the

13 DATE / TIME OF REPORT	14 REPORTING OFFICER / ID NO / DIV / UNIT	15 APPROVED BY / ID NO
10-23-2001 @ 1430	SAN JOSE, 1541, CAM-DST.	<i>[Signature]</i> 150 JGT.